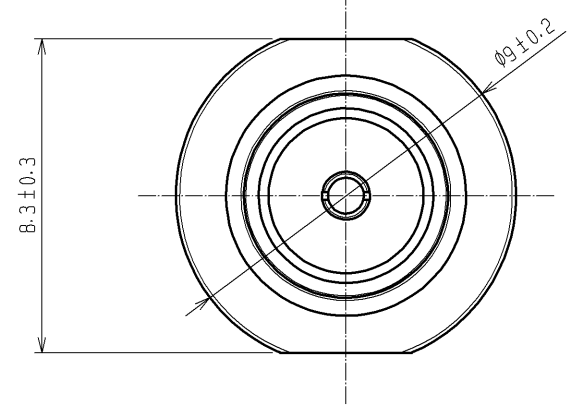


Apr.1.2024 Copyright 2024 HIROSE ELECTRIC CO., LTD. All Rights Reserved.
 In case of consideration for using Automotive equipment / device which demand high reliability, kindly contact our sales window correspondents.

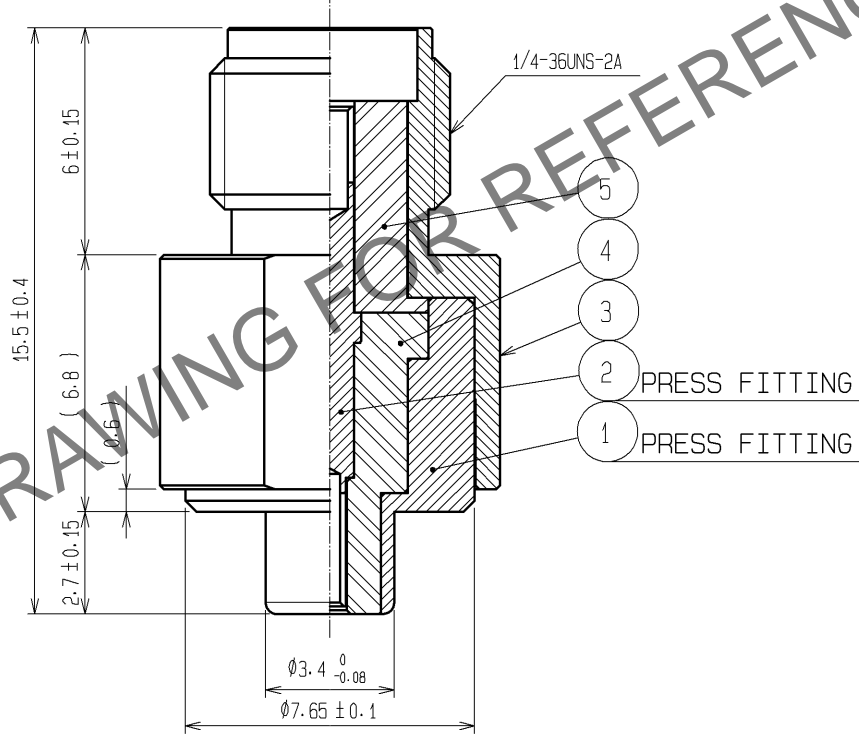
1 2 3 4

A



B

C



D

E

3	STAINLESS STEEL	PASSIVATE					
2	BERYLLIUM COPPER	GOLD PLATING	5	PTFE			
1	PHOSPHOR BRONZE	NICKEL PLATING	4	PTFE			
NO.	MATERIAL	FINISH .	REMARKS	NO.	MATERIAL	FINISH .	REMARKS

UNITS mm		SCALE 5 : 1	COUNT 	DESCRIPTION OF REVISIONS	DESIGNED	CHECKED	DATE
-------------	--	----------------	-----------	--------------------------	----------	---------	------

HIROSE ELECTRIC CO., LTD.	APPROVED : KJ. KAWAMURA	08. 06. 06	DRAWING NO.	EDC4-180501-00
	CHECKED : RZ. KANO	08. 06. 06	PART NO.	MS-147R-HRMJ
	DESIGNED : YH. MATSUO	08. 06. 06	CODE NO.	CL358-0212-0-00
	DRAWN : AS. KASUGA	08. 06. 06		

FORM HC0011-5-51 2 3 4

F

F