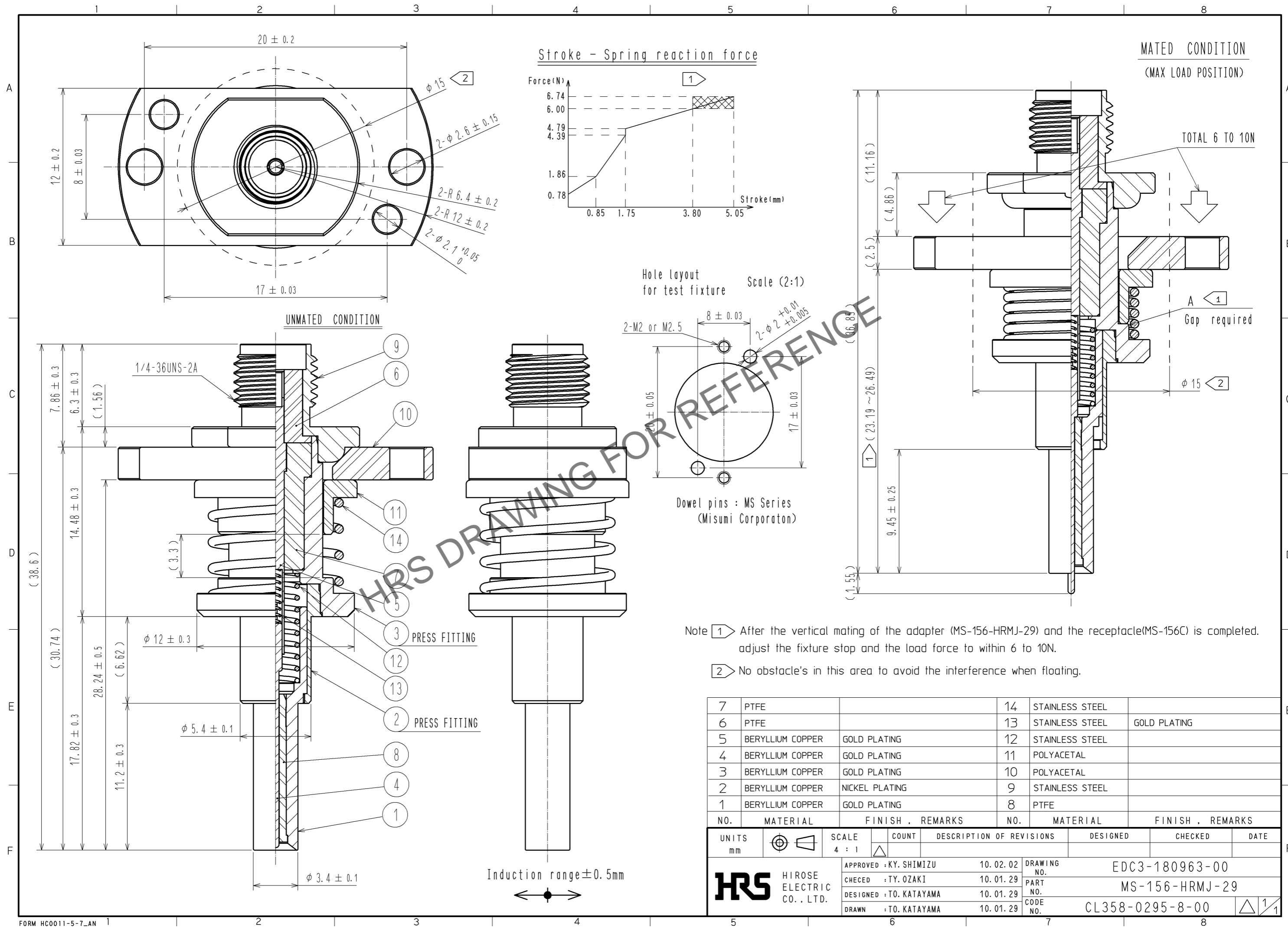


Apr.1.2024 Copyright 2024 HIROSE ELECTRIC CO., LTD. All Rights Reserved.  
In case of consideration for using Automotive equipment / device which demand high reliability, kindly contact our sales window correspondents.



Note 1 After the vertical mating of the adapter (MS-156-HRMJ-29) and the receptacle (MS-156C) is completed, adjust the fixture stop and the load force to within 6 to 10N.

Note 2 No obstacle's in this area to avoid the interference when floating.

7	PTFE		14	STAINLESS STEEL	
6	PTFE		13	STAINLESS STEEL	GOLD PLATING
5	BERYLLIUM COPPER	GOLD PLATING	12	STAINLESS STEEL	
4	BERYLLIUM COPPER	GOLD PLATING	11	POLYACETAL	
3	BERYLLIUM COPPER	GOLD PLATING	10	POLYACETAL	
2	BERYLLIUM COPPER	NICKEL PLATING	9	STAINLESS STEEL	
1	BERYLLIUM COPPER	GOLD PLATING	8	PTFE	
NO.	MATERIAL	FINISH . REMARKS	NO.	MATERIAL	FINISH . REMARKS
UNITS mm		SCALE 4 : 1	COUNT		DESCRIPTION OF REVISIONS
APPROVED : KY. SHIMIZU		10.02.02		DESIGNED	DATE
CHECED : TY. OZAKI		10.01.29		CHECKED	
DESIGNED : TO. KATAYAMA		10.01.29		DATE	
DRAWN : TO. KATAYAMA		10.01.29			
DRAWING NO. EDC3-180963-00			PART NO. MS-156-HRMJ-29		
CODE NO. CL358-0295-8-00			1/1		