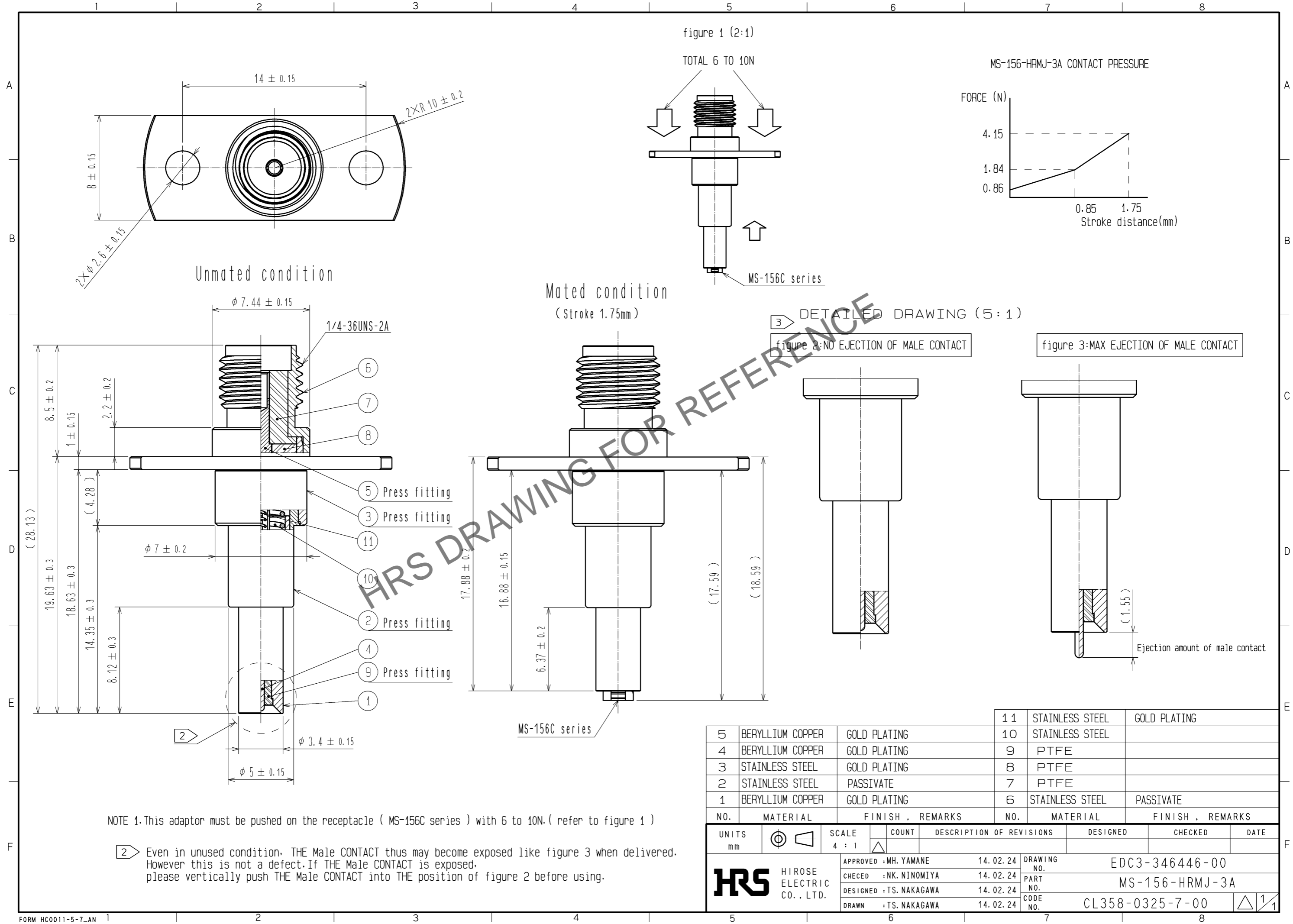


Apr.1.2024 Copyright 2024 HIROSE ELECTRIC CO., LTD. All Rights Reserved.
 In case of consideration for using Automotive equipment / device which demand high reliability, kindly contact our sales window correspondents.



NOTE 1. This adaptor must be pushed on the receptacle (MS-156C series) with 6 to 10N. (refer to figure 1)

② Even in unused condition, THE Male CONTACT thus may become exposed like figure 3 when delivered. However this is not a defect. If THE Male CONTACT is exposed, please vertically push THE Male CONTACT into THE position of figure 2 before using.

5	BERYLLIUM COPPER	GOLD PLATING	11	STAINLESS STEEL	GOLD PLATING
4	BERYLLIUM COPPER	GOLD PLATING	10	STAINLESS STEEL	
3	STAINLESS STEEL	GOLD PLATING	9	PTFE	
2	STAINLESS STEEL	PASSIVATE	8	PTFE	
1	BERYLLIUM COPPER	GOLD PLATING	7	PTFE	
			6	STAINLESS STEEL	PASSIVATE
NO.	MATERIAL	FINISH . REMARKS	NO.	MATERIAL	FINISH . REMARKS

UNITS mm		SCALE 4 : 1	COUNT 	DESCRIPTION OF REVISIONS	DESIGNED	CHECKED	DATE
HIROSE ELECTRIC CO., LTD.				APPROVED : MH. YAMANE 14. 02. 24	DRAWING NO. EDC3-346446-00		
				CHECED : NK. NINOMIYA 14. 02. 24	PART NO. MS-156-HRMJ-3A		
				DESIGNED : TS. NAKAGAWA 14. 02. 24	CODE NO. CL358-0325-7-00		
				DRAWN : TS. NAKAGAWA 14. 02. 24	1/1		