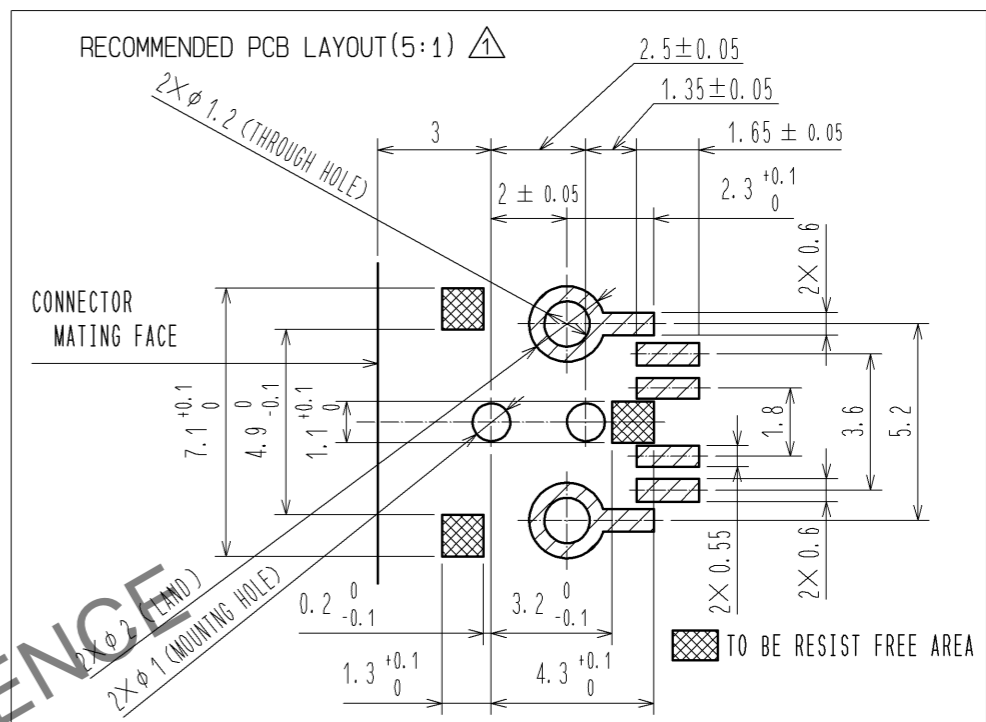
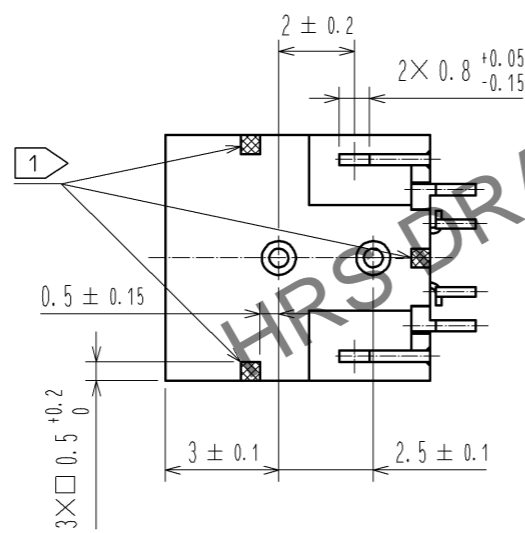
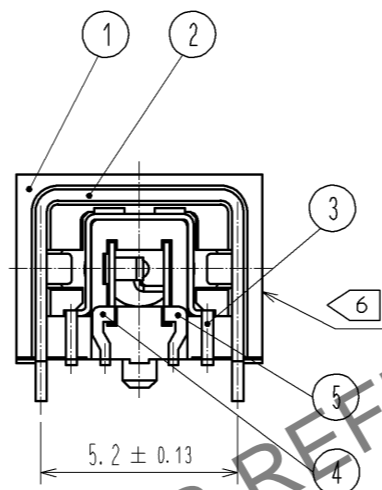
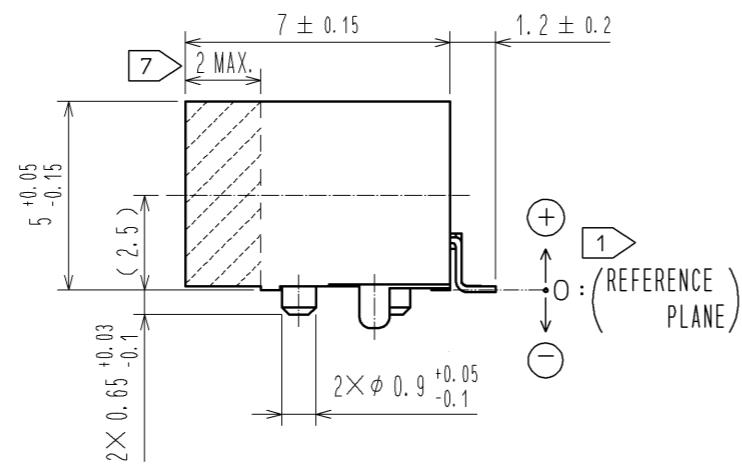
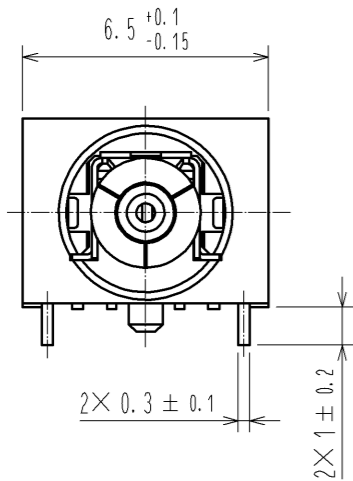
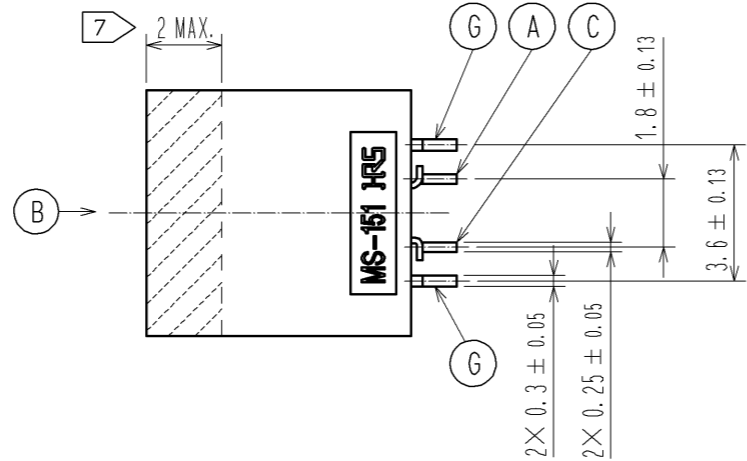
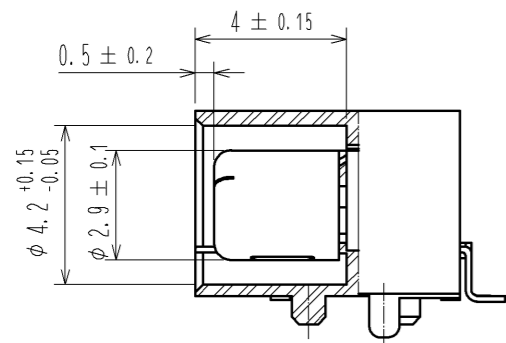


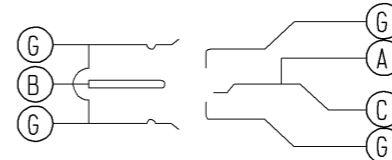
Apr.1.2024 Copyright 2024 HIROSE ELECTRIC CO., LTD. All Rights Reserved.
In case of consideration for using Automotive equipment / device which demand high reliability, kindly contact our sales window correspondents.

MATING FACE DIMENSIONS

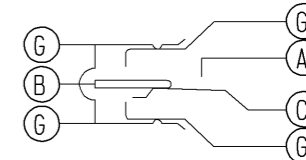


- NOTE 1 IS REFERENCE PLANE FOR PCB MOUNTING.
SMT READ COPLANARITY SHALL BE $-0.05 \begin{smallmatrix} +0.03 \\ -0.07 \end{smallmatrix}$ FOR REFERENCE PLANE.
- USE THIS PRODUCT WITH MS-151-C(LP) AND EQUIVALENT CONTACT MATED.
 - COAXIAL SWITCH CIRCUIT SHALL BE AS FOLLOWS.

STATE OF CONTACT NONMATED
(N.C: NORMAL CLOSE)

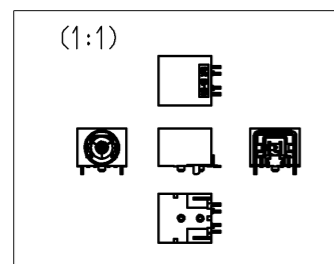
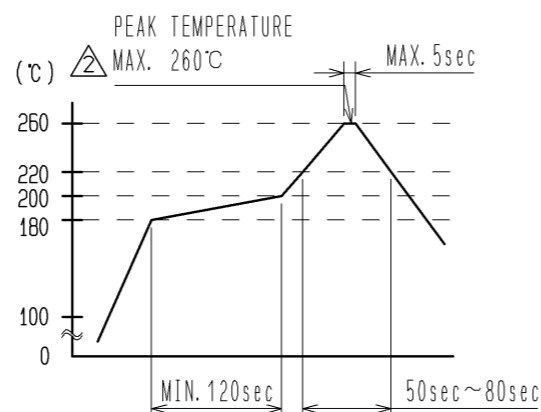


STATE OF CONTACT MATED
(N.O: NORMAL OPEN)



- THIS PRODUCT IS IMPOSSIBLE TO WASH.
- USE 0.15mm THICK METAL MASK.
- LOT NO. IS MARKED ON THE SPECIFIED SURFACE.
- FIX THE CONNECTOR WITH DEVICE CHASSIS AT THE AREA WITHIN 2mm FROM THE OPENING .

SPECIFIED REFLOW TEMPERATURE PROFILE FOR LEAD-FREE SOLDER

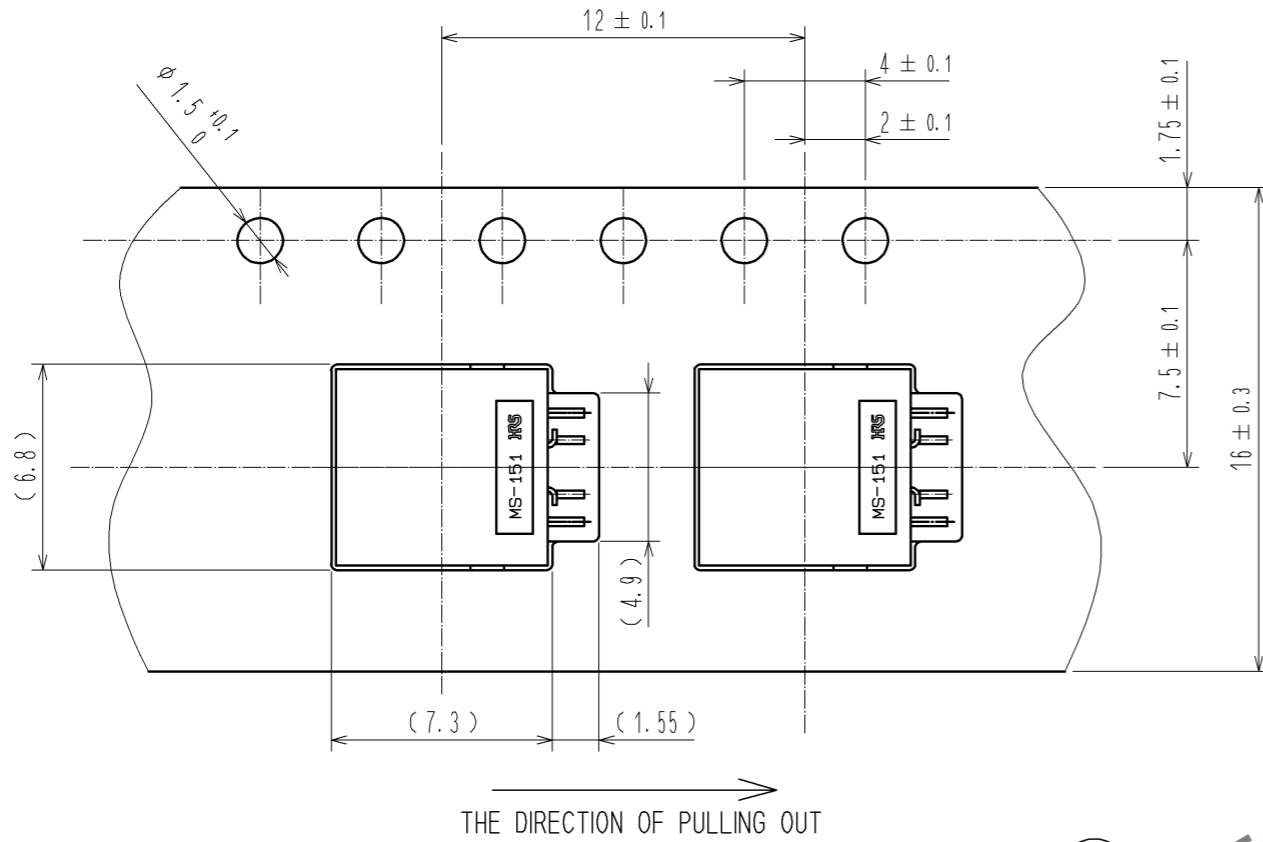


RoHS COMPLIANT HALOGEN FREE COMPLIANT

3	PHOSPHOR BRONZE	SELECTIVE GOLD PLATING	7	PET	
2	STAINLESS STEEL	SELECTIVE GOLD PLATING	6	PS	
1	PA-M		5	PHOSPHOR BRONZE	SELECTIVE GOLD PLATING
			4	BERYLLIUM COPPER	SELECTIVE GOLD PLATING
部番	材 質	処 理 , 備 考	部番	材 質	処 理 , 備 考
UNITS mm		SCALE 5 : 1	△の数 1	訂 正 記 事 DIS-D-003425	設 計 RO. FURUYAMA
					検 査 NK. NINOMIYA
					年 月 日 14. 09. 30
					図 番 : EDC3-353753-00
					製 品 名 : MS-151NB-1
					製 品 コ ー ド CL358-0345-4-00

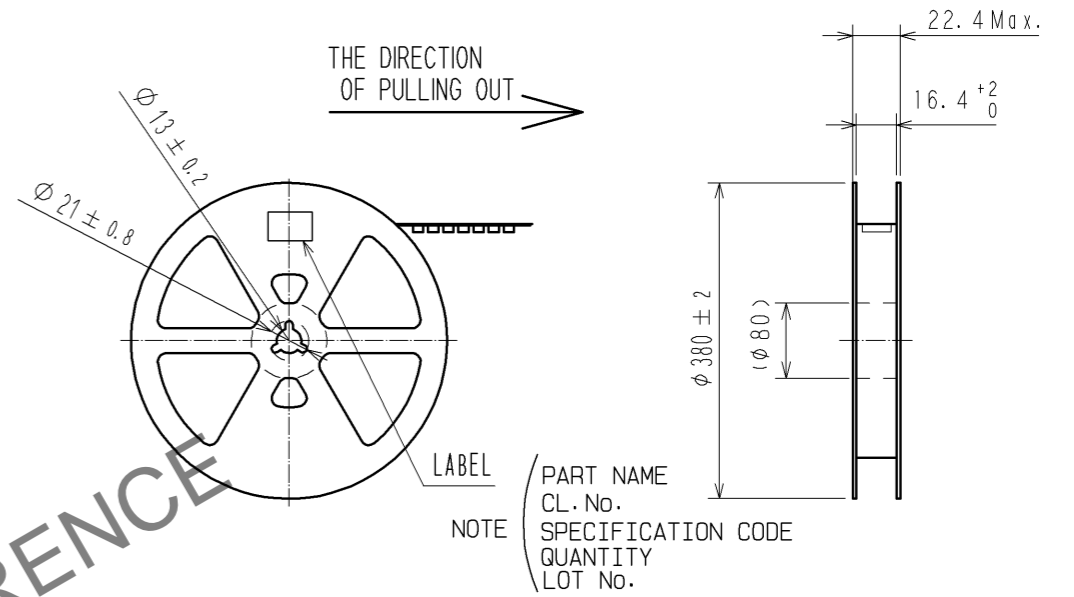
Apr.1.2024 Copyright 2024 HIROSE ELECTRIC CO., LTD. All Rights Reserved.
 In case of consideration for using Automotive equipment / device which demand high reliability, kindly contact our sales window correspondents.

TAPE AND REEL PACKING(4:1)

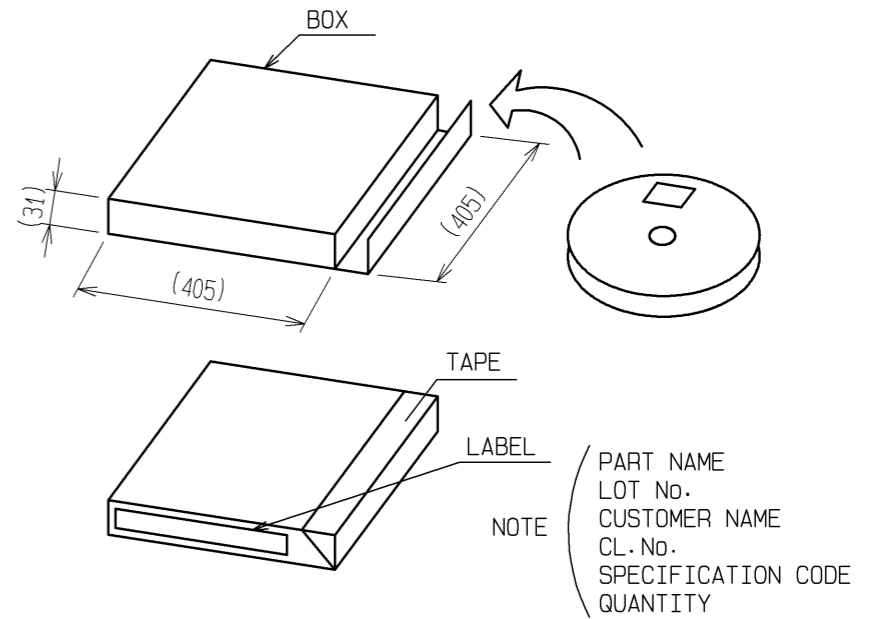


REEL DIMENSIONS (FREE)

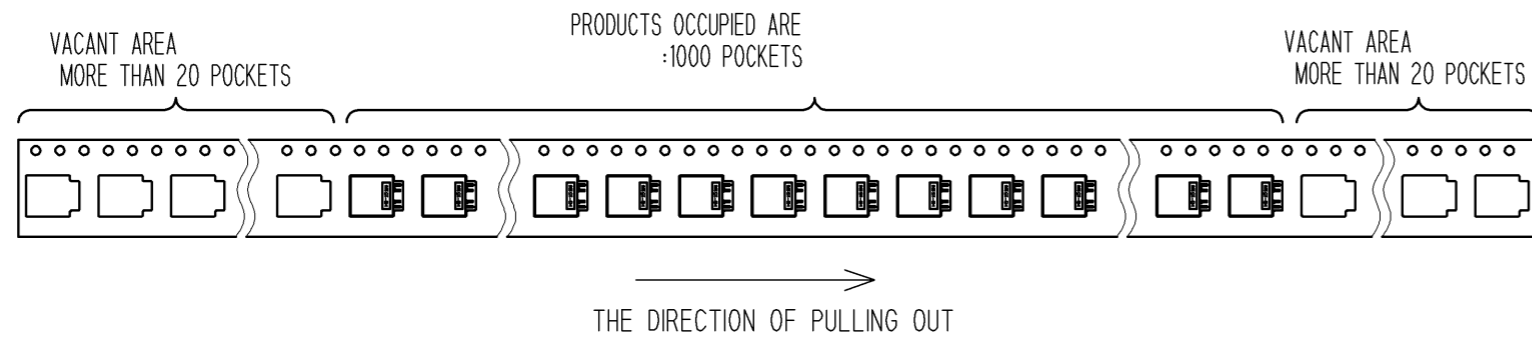
1000 PCS PER REEL



OUTER PACKAGING CASE (FREE)



PACKAGING SPECIFICATION(FREE)



図番: EDC3-353753-00
 製品名: MS-151NB-1
 製品コード: CL358-0345-4-00

2/2