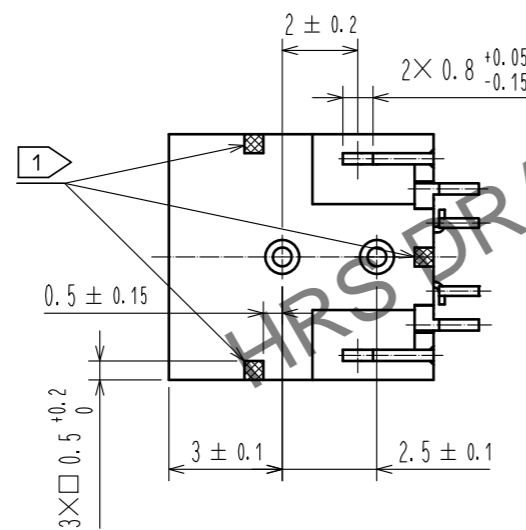
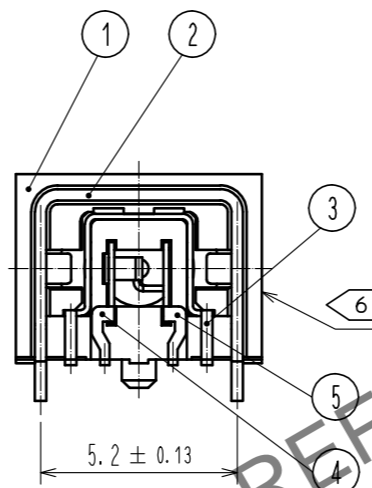
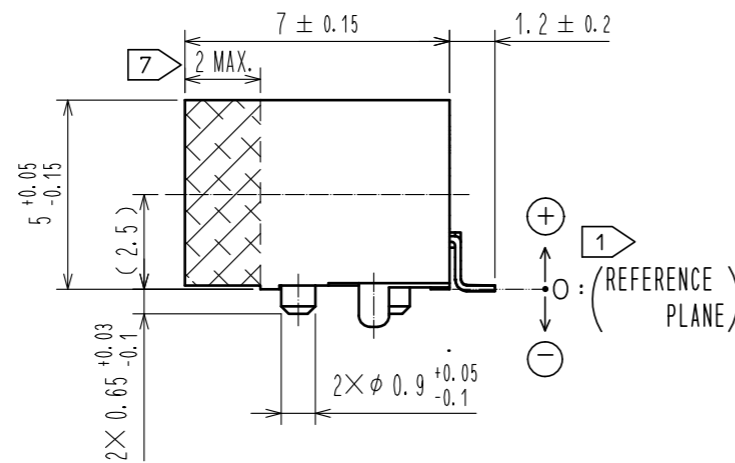
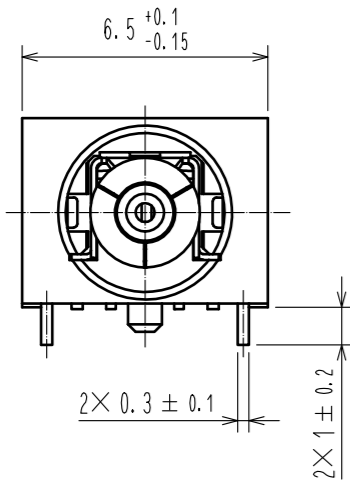
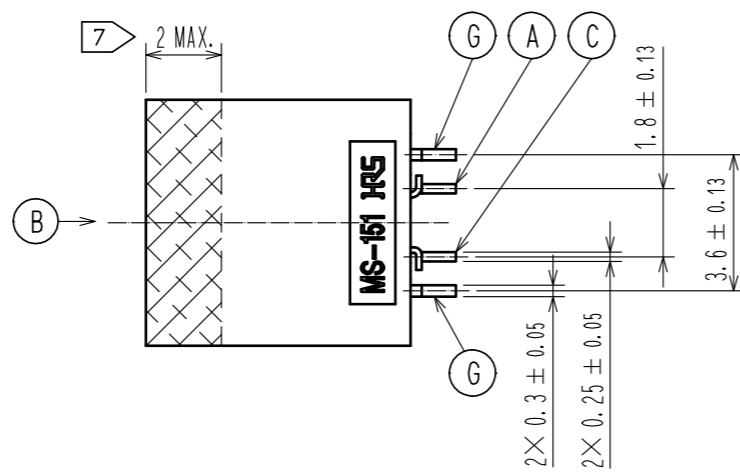
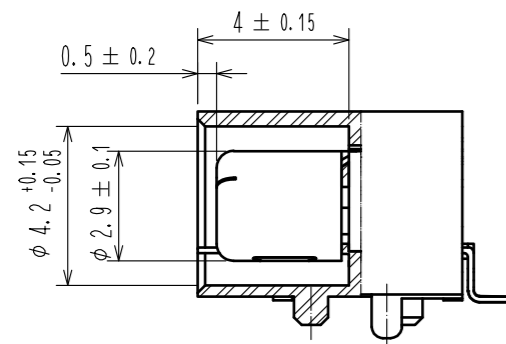
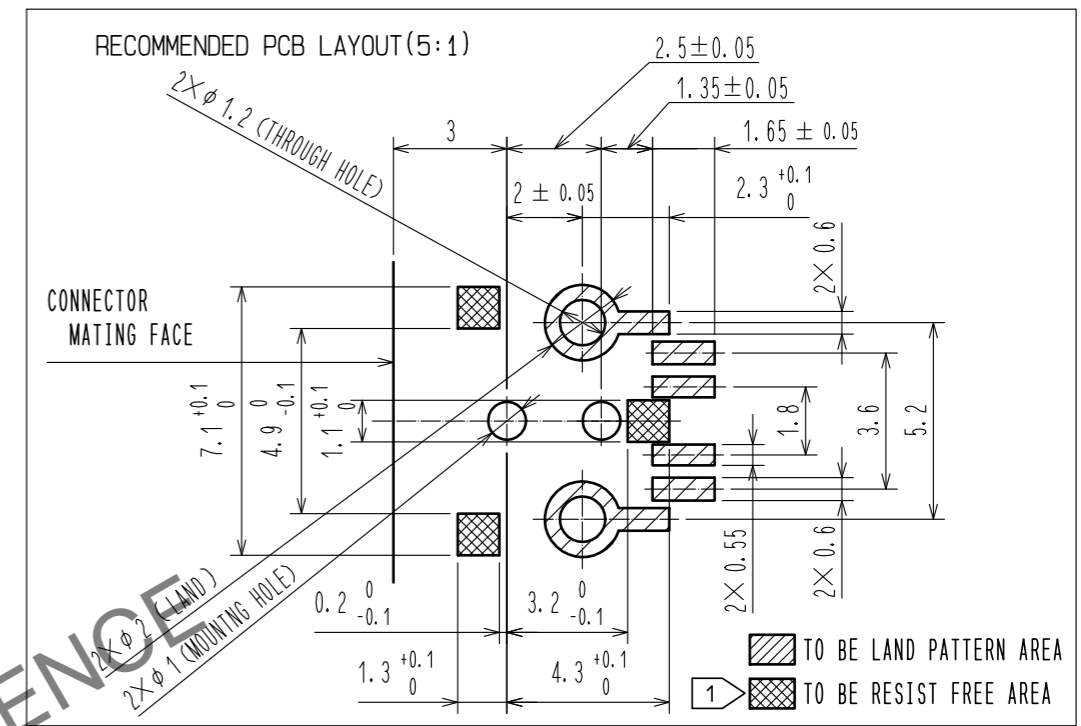
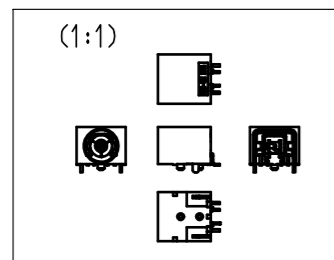
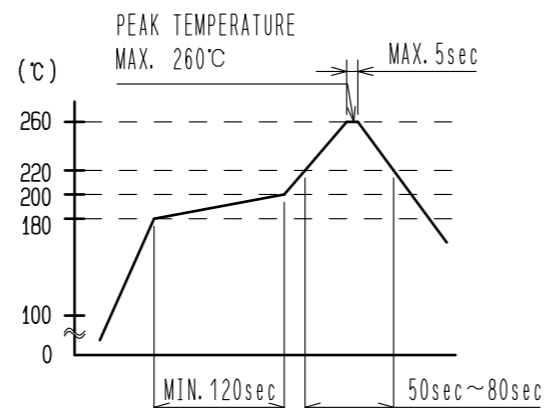


Apr.1.2024 Copyright 2024 HIROSE ELECTRIC CO., LTD. All Rights Reserved.  
In case of consideration for using Automotive equipment / device which demand high reliability, kindly contact our sales window correspondents.

MATING FACE DIMENSIONS

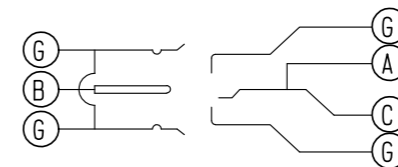


SPECIFIED REFLOW TEMPERATURE PROFILE FOR LEAD-FREE SOLDER

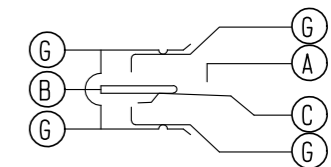


- NOTE 1: IS REFERENCE PLANE FOR PCB MOUNTING. SMT READ COPLANARITY SHALL BE  $-0.05^{+0.03}_{-0.07}$  FOR REFERENCE PLANE.  
 2. USE THIS PRODUCT WITH MS-151-C(LP) AND EQUIVALENT CONTACT MATED.  
 3. COAXIAL SWITCH CIRCUIT SHALL BE AS FOLLOWS.

STATE OF CONTACT NONMATED (N.C.:NORMAL CLOSE)



STATE OF CONTACT MATED (N.O.:NORMAL OPEN)



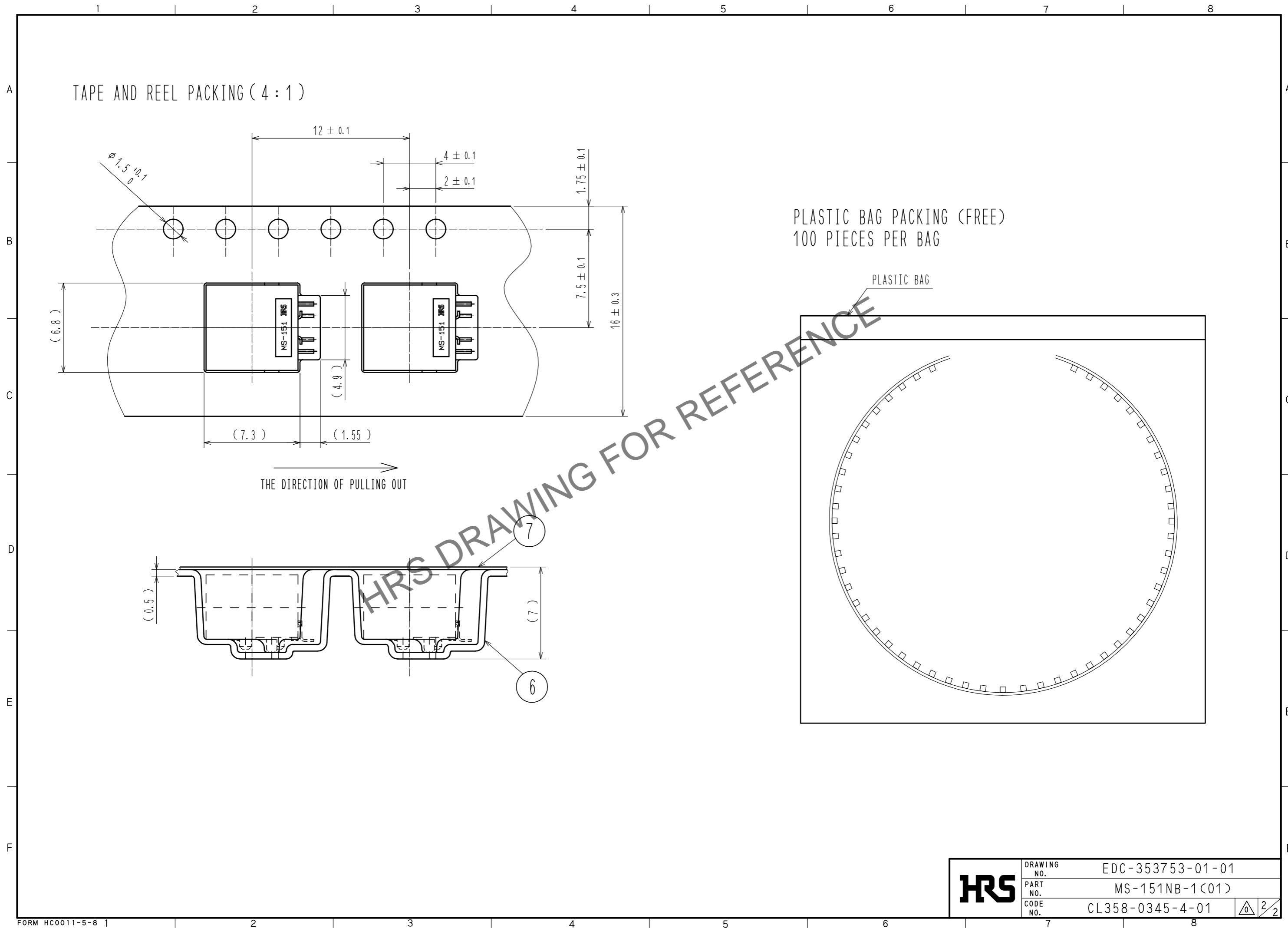
4. THIS PRODUCT IS IMPOSSIBLE TO WASH.  
 5. USE 0.15mm THICK METAL MASK.  
 6. LOT NO. IS MARKED ON THE SPECIFIED SURFACE.  
 7. FIX THE CONNECTOR WITH DEVICE CHASSIS AT THE AREA WITHIN 2mm FROM THE OPENING.

RoHS COMPLIANT

HALOGEN FREE COMPLIANT

3	PHOSPHOR BRONZE	SELECTIVE GOLD PLATING	7	PET			
2	STAINLESS STEEL	SELECTIVE GOLD PLATING	6	PS			
1	PA-M		5	PHOSPHOR BRONZE	SELECTIVE GOLD PLATING		
			4	BERYLLIUM COPPER	SELECTIVE GOLD PLATING		
NO.	MATERIAL	FINISH . REMARKS	NO.	MATERIAL	FINISH . REMARKS		
UNITS	mm	SCALE 5 : 1	COUNT	DESCRIPTION OF REVISIONS	DESIGNED	CHECKED	DATE
APPROVED : KH. IKEDA		15.08.03	DRAWING NO.		EDC-353753-01-01		
CHECKED : NK. NINOMIYA		15.08.03	PART NO.		MS-151NB-1(01)		
DESIGNED : RO. FURUYAMA		15.08.03	CODE NO.		CL358-0345-4-01		
DRAWN : RO. FURUYAMA		15.08.03			1/2		

Apr.1.2024 Copyright 2024 HIROSE ELECTRIC CO., LTD. All Rights Reserved.  
In case of consideration for using Automotive equipment / device which demand high reliability, kindly contact our sales window correspondents.



<b>HRS</b>	DRAWING NO.	EDC-353753-01-01
	PART NO.	MS-151NB-1(01)
	CODE NO.	CL358-0345-4-01
		2/2