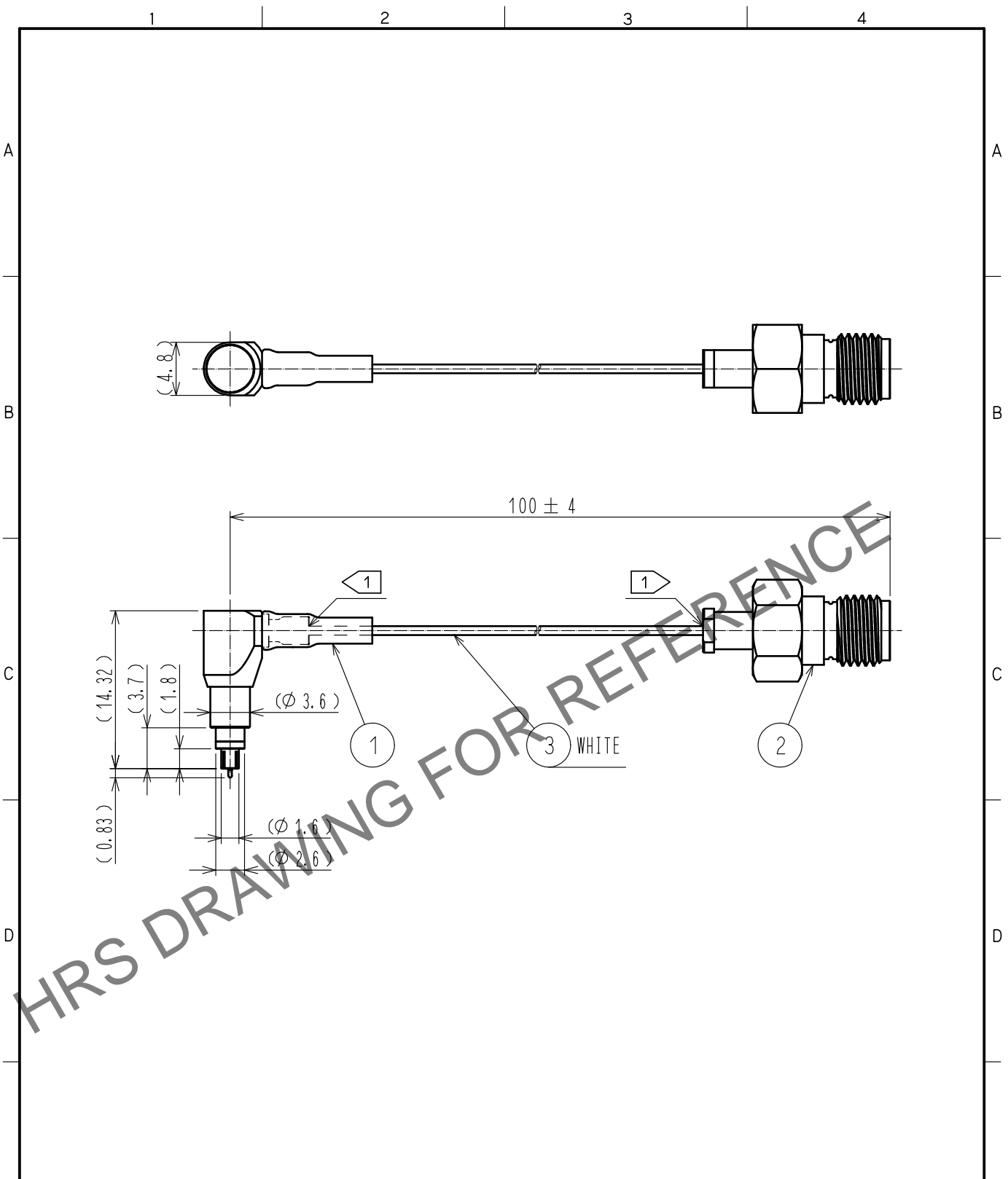


Apr.1.2024 Copyright 2024 HIROSE ELECTRIC CO., LTD. All Rights Reserved.
 In case of consideration for using Automotive equipment / device which demand high reliability, kindly contact our sales window correspondents.



NOTE 1 Do not apply any excessive stress to the cable assembly position.

RoHS COMPLIANT

2	HRM-200-040JBN(40)	CL323-0792-9-40			
1	MS-190-040LP-H1	CL358-0008-0-00	3	RF-MF5010(WHITE)	NISSEI ELECTRIC CO., LTD.
NO.	PART NO.	CODE NO.	NO.	PART NO.	MANUFACTURER

UNITS mm		SCALE FREE	COUNT	DESCRIPTION OF REVISIONS	DESIGNED	CHECKED	DATE
HIROSE ELECTRIC CO., LTD.		APPROVED : KH. IKEDA	16.04.25	DRAWING NO.	EDC-369880-01-00		
		CHECKED : NK. NINOMIYA	16.04.22	PART NO.	MS190LH1-HRMJ-040V100		
		DESIGNED : RO. FURUYAMA	16.04.22	CODE NO.	CL362-0016-0-01		
		DRAWN : RO. FURUYAMA	16.04.22		1/1		