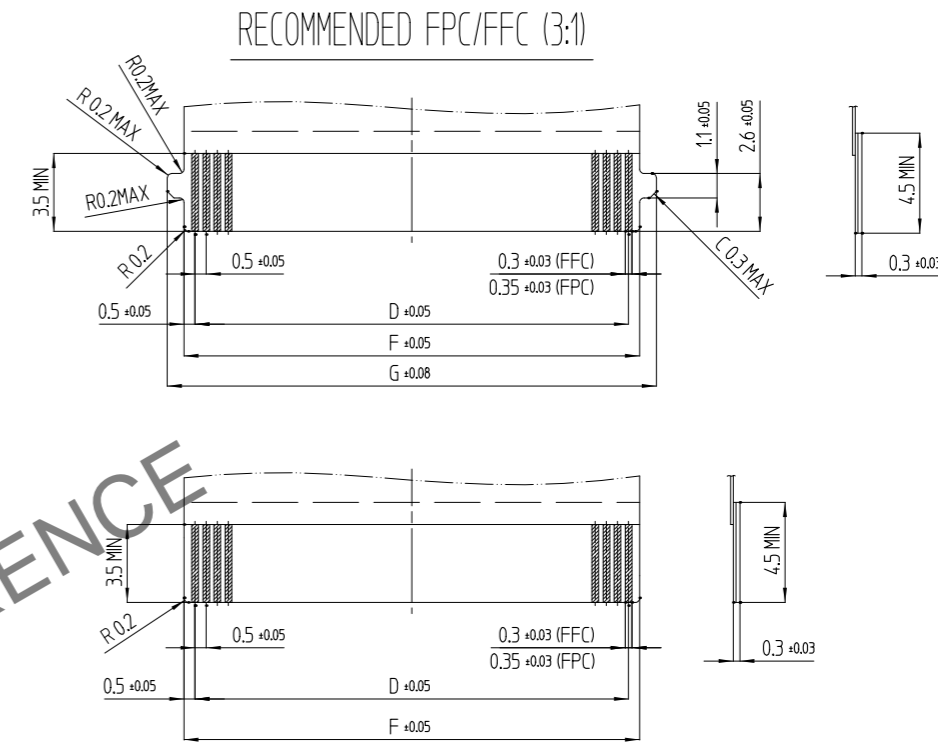
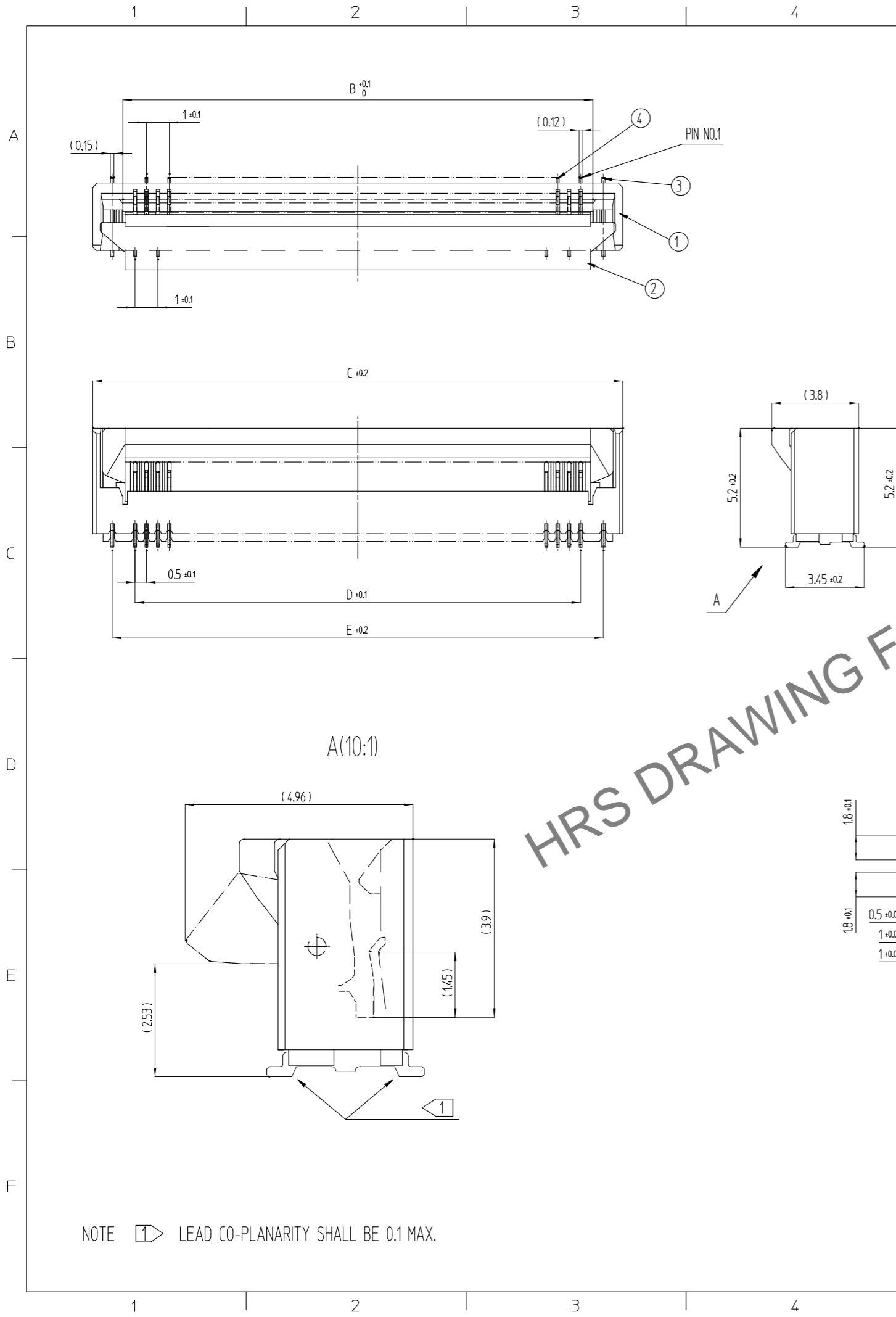
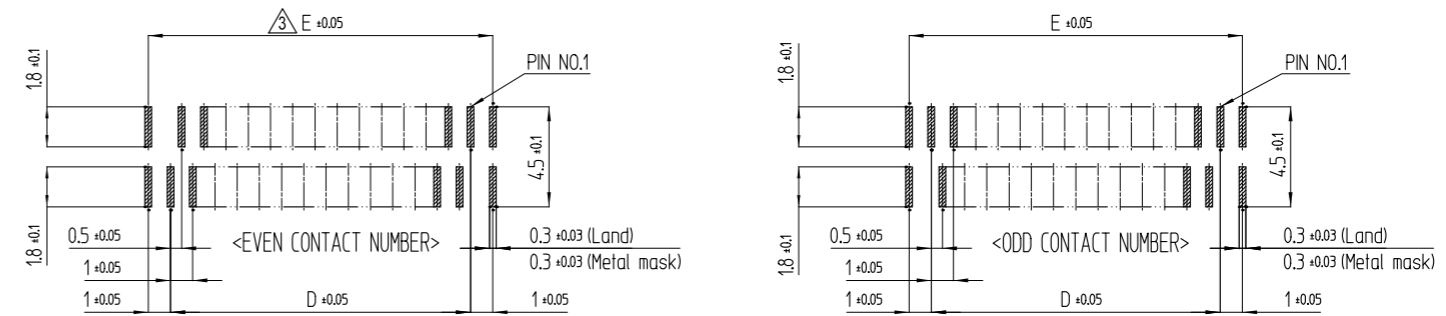


Apr.1.2025 Copyright 2025 HIROSE ELECTRIC CO., LTD. All Rights Reserved.
In case of consideration for using Automotive equipment / device which demand high reliability, kindly contact our sales window correspondents.

△ 數 COUNT	訂正事項 DESCRIPTION OF REVISIONS	描出 B Y	檢圖 CHKD	年月日 DATE	△ 數 COUNT	訂正事項 DESCRIPTION OF REVISIONS	描出 B Y	檢圖 CHKD	年月日 DATE
△	- RE-5-1603	L.S.G	C.D.H	17, 03, 09	△				
△	- RE-5-2133	K.G.B	C.D.H	19, 03, 29	△				
△	1 RE-5-2946	C.Y.H	C.D.H	23, 02, 01	△				



HRS DRAWING FOR REFERENCE



NO.	MATERIAL	FINISH , REMARKS	NO.	MATERIAL	FINISH , REMARKS
2	LCP	BLACK UL94V-0	4	PHOSPHOR BRONZE	(CONTACT AREA) GOLD 0.03 μ m MIN. OVER NICKEL 1.2 μ m MIN. (LEAD) GOLD 0.03 μ m MIN. OVER NICKEL 1.2 μ m MIN. (OTHER) NICKEL PLATING 1.2 μ m MIN.
1	LCP	BEIGE UL94V-0	3	PHOSPHOR BRONZE	Sn 1.2 μ m MIN. OVER NICKEL 1.2 μ m MIN.

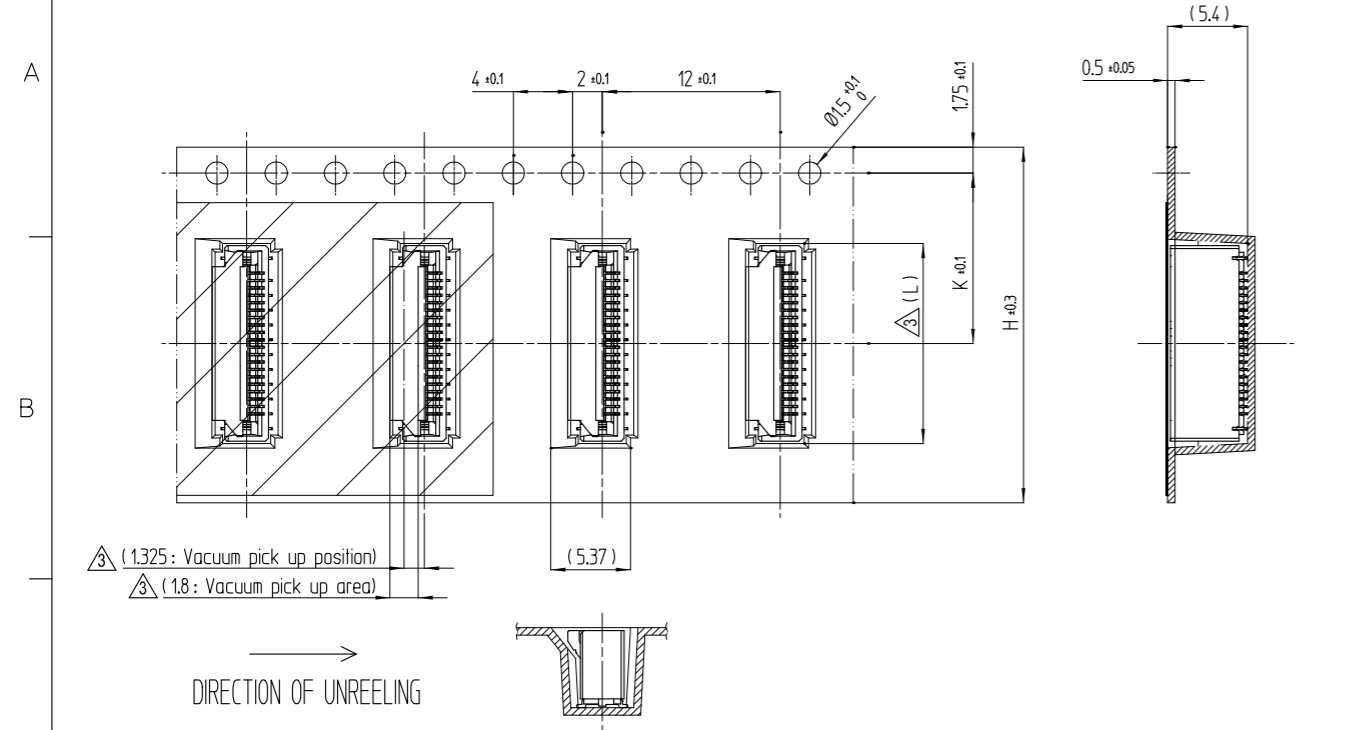
REMARKS	DRAWN	DESIGNED	CHECKED	APPROVED	RELEASED
	KIM 16.04.26 HS	KIM 16.04.26 HS	CHO 16.04.26 DH	SONG 16.04.26 HC	ENG 23.02.06 DEPT

CODE NO. (OLD)	DRAWING NO. EDC3-632306-80	PART NO. TF38-**S-0.5SV(830)
SCALE 5:1 UNITS mm	HRS HIROSE KOREA CO.,LTD.	CODE NO. CL 6537-0017-0-830

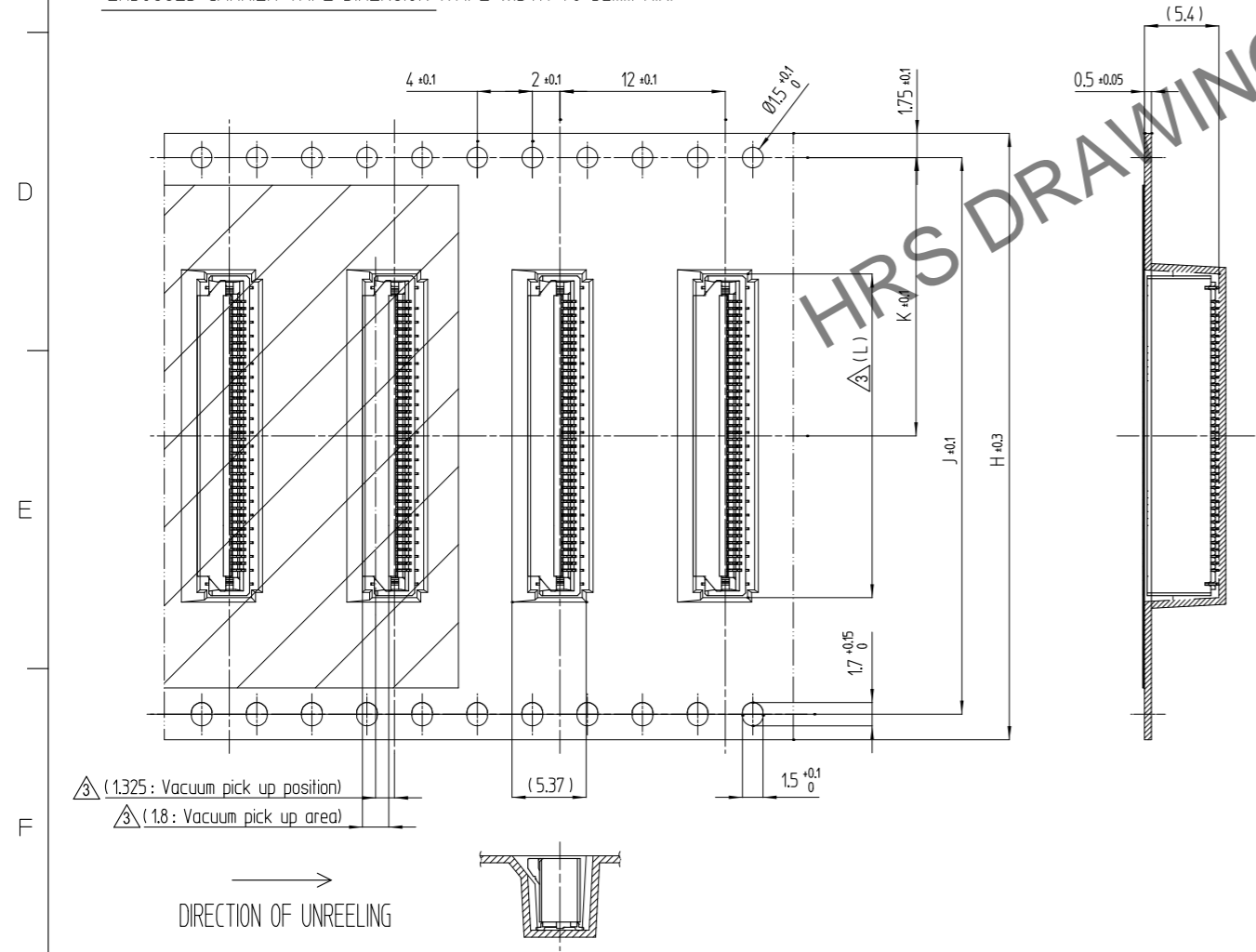
NOTE ① LEAD CO-PLANARITY SHALL BE 0.1 MAX.

Apr.1.2025 Copyright 2025 HIROSE ELECTRIC CO., LTD. All Rights Reserved.
 In case of consideration for using Automotive equipment / device which demand high reliability, kindly contact our sales window correspondents.

EMBOSSED CARRIER TAPE DIMENSION (TAPE WIDTH TO 24mm MAX)

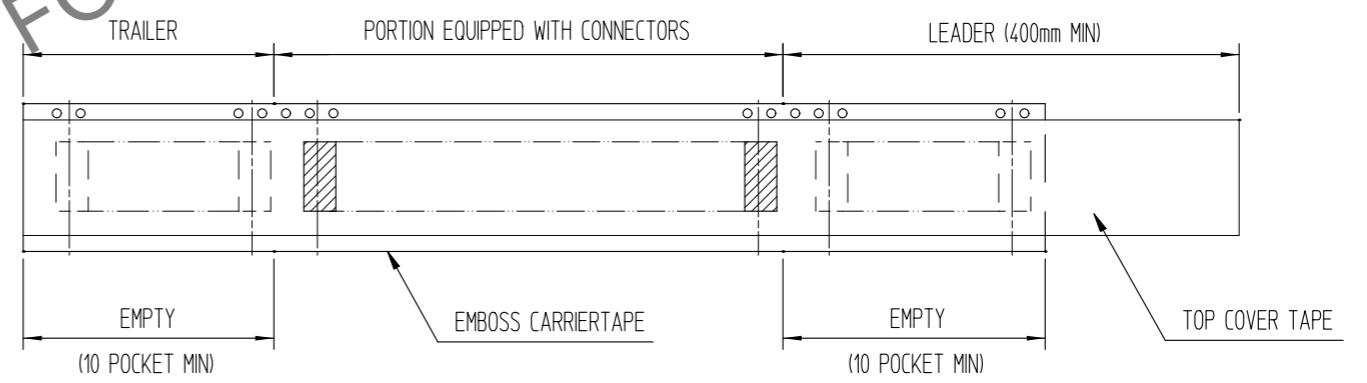
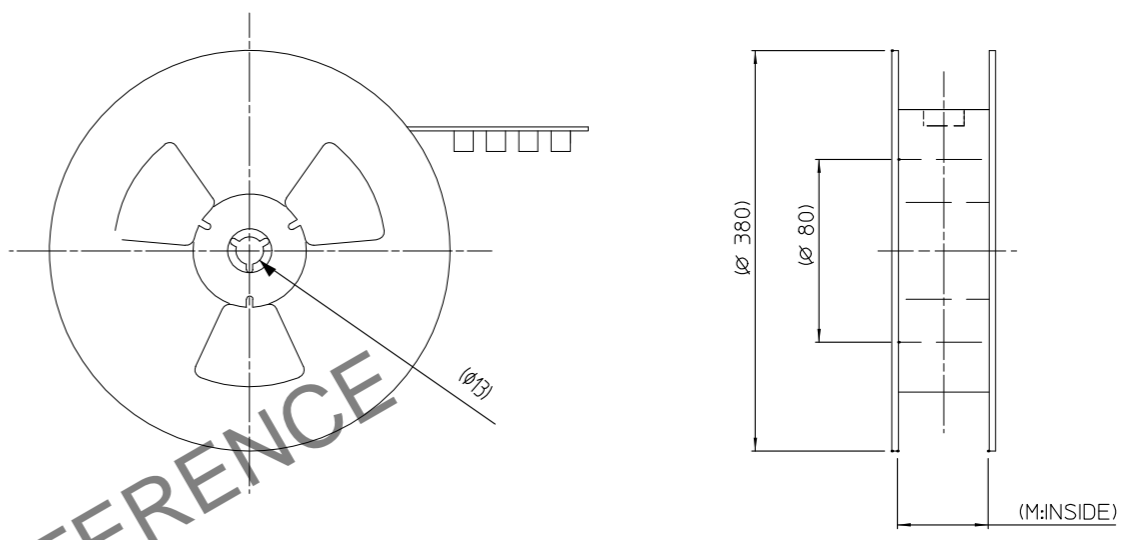


EMBOSSED CARRIER TAPE DIMENSION (TAPE WIDTH TO 32mm MIN)

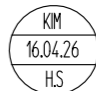

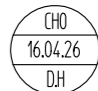




△ 数 COUNT	訂正事項 DESCRIPTION OF REVISIONS	描出 B Y	検閲 CHKD	年月日 DATE	△ 数 COUNT	訂正事項 DESCRIPTION OF REVISIONS	描出 B Y	検閲 CHKD	年月日 DATE
-	RE-5-1603	L.S.G	C.D.H	17. 03. 09	-				
-	RE-5-2133	K.G.B	C.D.H	19. 03. 29	-				
6	RE-5-2946	C.Y.H	C.D.H	23. 02. 01	-				

REEL DIMENSION (FREE)



NOTE 2 PER REEL : 1000 CONNECTORS.

NO.	MATERIAL	FINISH , REMARKS	NO.	MATERIAL	FINISH , REMARKS		
REMARKS			DRAWN	DESIGNED	CHECKED	APPROVED	RELEASED
			 KIM 16.04.26 HS	 KIM 16.04.26 HS	 CHO 16.04.26 DH	 SONG 16.04.26 HC	 ENG 23.02.06 DEPT
CODE NO. (OLD)	DRAWING NO. EDC3-632306-80		PART NO. TF38-**S-0.5SV(830)				
	SCALE 2:1 UNITS mm		CODE NO. CL 6537-0017-0-830		2/7		
HRS HIROSE KOREA CO.,LTD.							

Apr.1.2025 Copyright 2025 HIROSE ELECTRIC CO., LTD. All Rights Reserved.
In case of consideration for using Automotive equipment / device which demand high reliability, kindly contact our sales window correspondents.

△ 數 COUNT	訂正事項 DESCRIPTION OF REVISIONS	擔當 B Y	檢圖 CHKD	年月日 DATE	△ 數 COUNT	訂正事項 DESCRIPTION OF REVISIONS	擔當 B Y	檢圖 CHKD	年月日 DATE
△	-	RE-5-1603	L.S.G	C.D.H	17, 03, 09	△			
△	1	RE-5-2133	K.G.B	C.D.H	19, 03, 29	△			
△	-	RE-5-2946	C.Y.H	C.D.H	23, 02, 01	△			

PART NUMBER	NUMBER OF CONTACTS	DIMENSION OF CONNECTOR, FPC/FFC, PCB PATTERN						DIMENSION OF PACKING				
		B	C	D	E	F	G	H	J	K	L	M
TF38-16S-0.5SV(830)	16	8.57	11.2	7.5	9.5	8.5	10	24	-	11.5	11.5	24.5
TF38-18S-0.5SV(830)	18	9.57	12.2	8.5	10.5	9.5	11	24	-	11.5	12.5	24.5
TF38-20S-0.5SV(830)	20	10.57	13.2	9.5	11.5	10.5	12	24	-	11.5	13.5	24.5
TF38-22S-0.5SV(830)	22	11.57	14.2	10.5	12.5	11.5	13	24	-	11.5	14.5	24.5
TF38-24S-0.5SV(830)	24	12.57	15.2	11.5	13.5	12.5	14	24	-	11.5	15.5	24.5
TF38-26S-0.5SV(830)	26	13.57	16.2	12.5	14.5	13.5	15	32	28.4	14.2	16.5	32.5
TF38-30S-0.5SV(830)	30	15.57	18.2	14.5	16.5	15.5	17	32	28.4	14.2	18.5	32.5
TF38-32S-0.5SV(830)	32	16.57	19.2	15.5	17.5	16.5	18	44	40.4	20.2	19.5	44.5
TF38-36S-0.5SV(830)	36	18.57	21.2	17.5	19.5	18.5	20	44	40.4	20.2	21.5	44.5
TF38-38S-0.5SV(830)	38	19.57	22.2	18.5	20.5	19.5	21	44	40.4	20.2	22.5	44.5
TF38-40S-0.5SV(830)	40	20.57	23.2	19.5	21.5	20.5	22	44	40.4	20.2	23.5	44.5
TF38-45S-0.5SV(830)	45	23.07	25.7	22	24	23	24.5	44	40.4	20.2	26	44.5
TF38-50S-0.5SV(830)	50	25.57	28.2	24.5	26.5	25.5	27	44	40.4	20.2	28.5	44.5
TF38-60S-0.5SV(830)	60	30.57	33.2	29.5	31.5	30.5	32	56	52.4	26.2	33.5	56.5

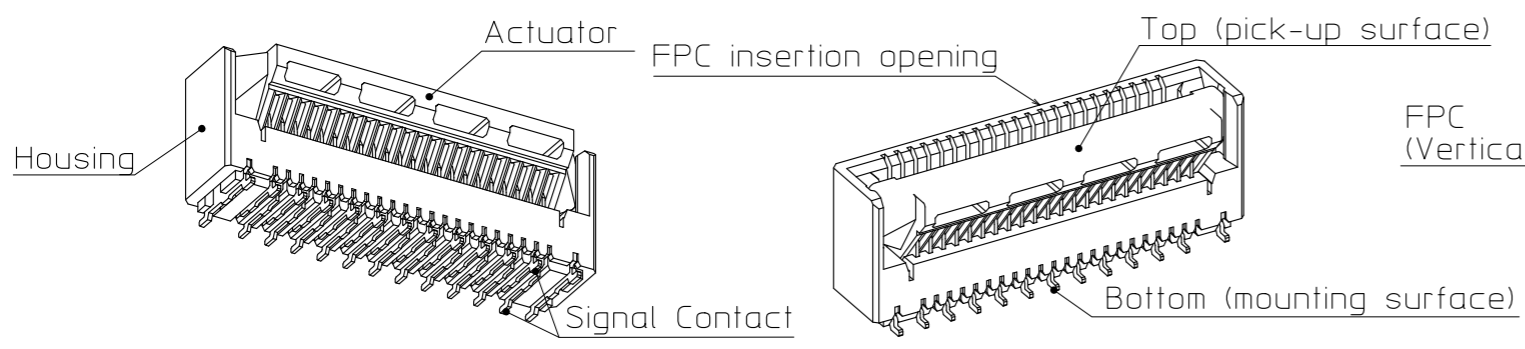
HRS DRAWING FOR REFERENCE

NO.	MATERIAL	FINISH, REMARKS	NO.	MATERIAL	FINISH, REMARKS										
REMARKS															
			<table border="1"> <tr> <td>DRAWN</td> <td>DESIGNED</td> <td>CHECKED</td> <td>APPROVED</td> <td>RELEASED</td> </tr> <tr> <td style="text-align: center;">KIM 16.04.26 HS</td> <td style="text-align: center;">KIM 16.04.26 HS</td> <td style="text-align: center;">CHO 16.04.26 DH</td> <td style="text-align: center;">SONG 16.04.26 HC</td> <td style="text-align: center;">ENG 23.02.06 DEPT</td> </tr> </table>	DRAWN	DESIGNED	CHECKED	APPROVED	RELEASED	KIM 16.04.26 HS	KIM 16.04.26 HS	CHO 16.04.26 DH	SONG 16.04.26 HC	ENG 23.02.06 DEPT		
DRAWN	DESIGNED	CHECKED	APPROVED	RELEASED											
KIM 16.04.26 HS	KIM 16.04.26 HS	CHO 16.04.26 DH	SONG 16.04.26 HC	ENG 23.02.06 DEPT											
CODE NO. (OLD)	DRAWING NO. EDC3-632306-80		PART NO. TF38-**S-0.5SV(830)												
SCALE 1:1	UNITS mm		HRS HIROSE KOREA CO.,LTD.		CODE NO. CL 6537-0017-0-830										
					3 7										

Apr.1.2025 Copyright 2025 HIROSE ELECTRIC CO., LTD. All Rights Reserved.
In case of consideration for using Automotive equipment / device which demand high reliability, kindly contact our sales window correspondents.

This connector requires delicate and careful handling.
To prevent connector/FPC breakage and contact failure (mating failure, FPC Pattern breakage, etc),
read through the instruction shown below and handle the connector properly.
This instruction manual is applicable to uasge with FPC/FFC.

[Connector part nomenclature]



[Operation and precautions]

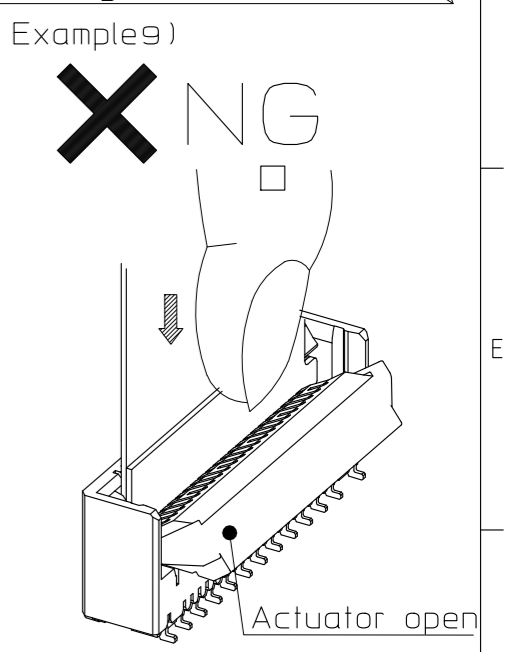
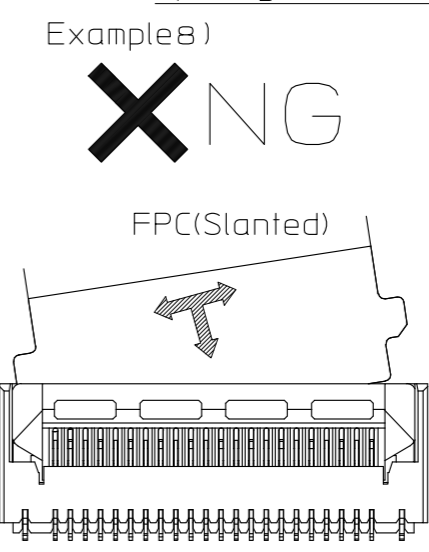
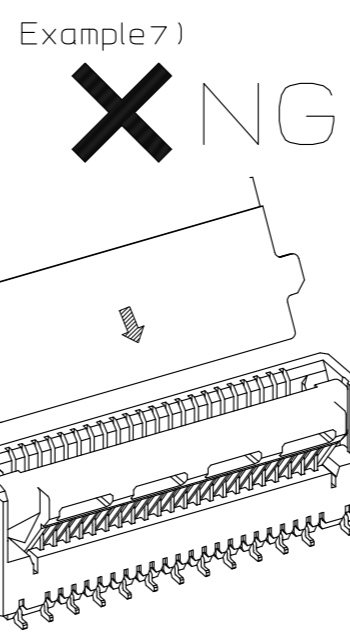
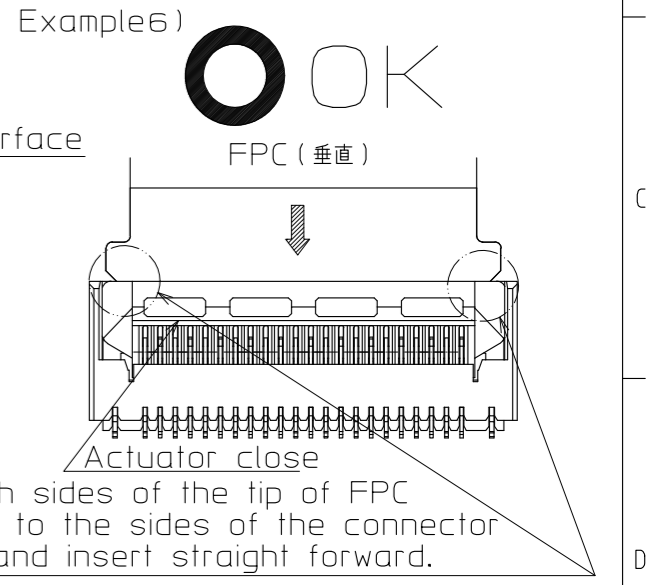
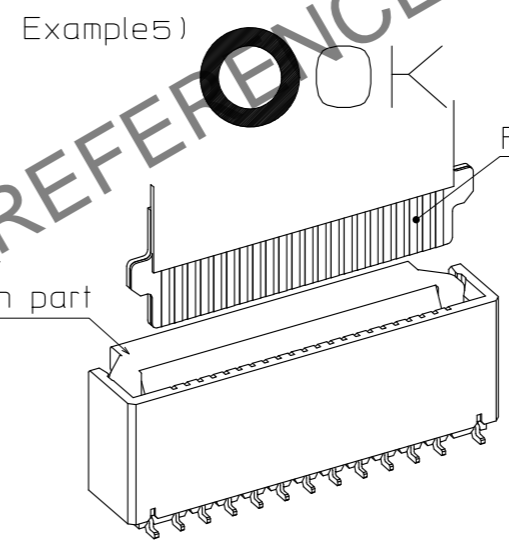
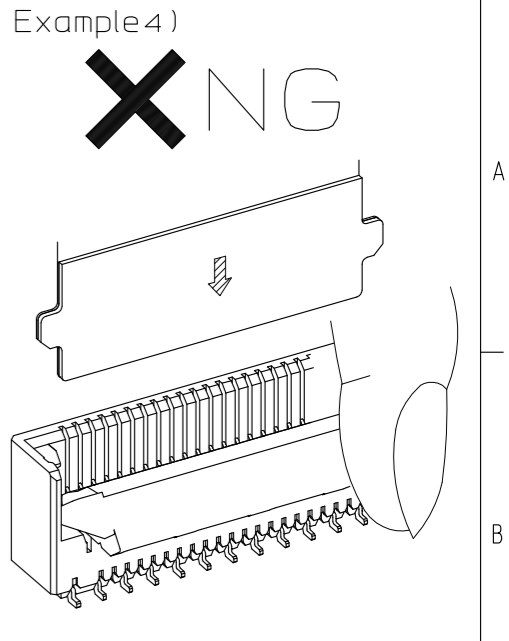
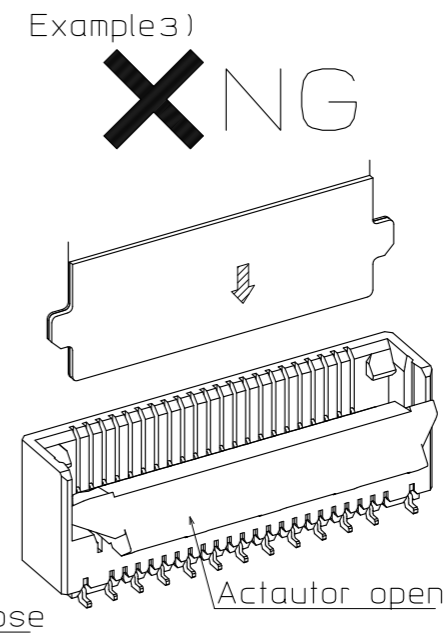
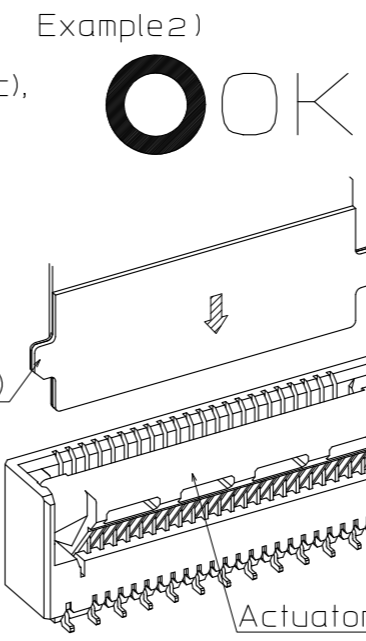
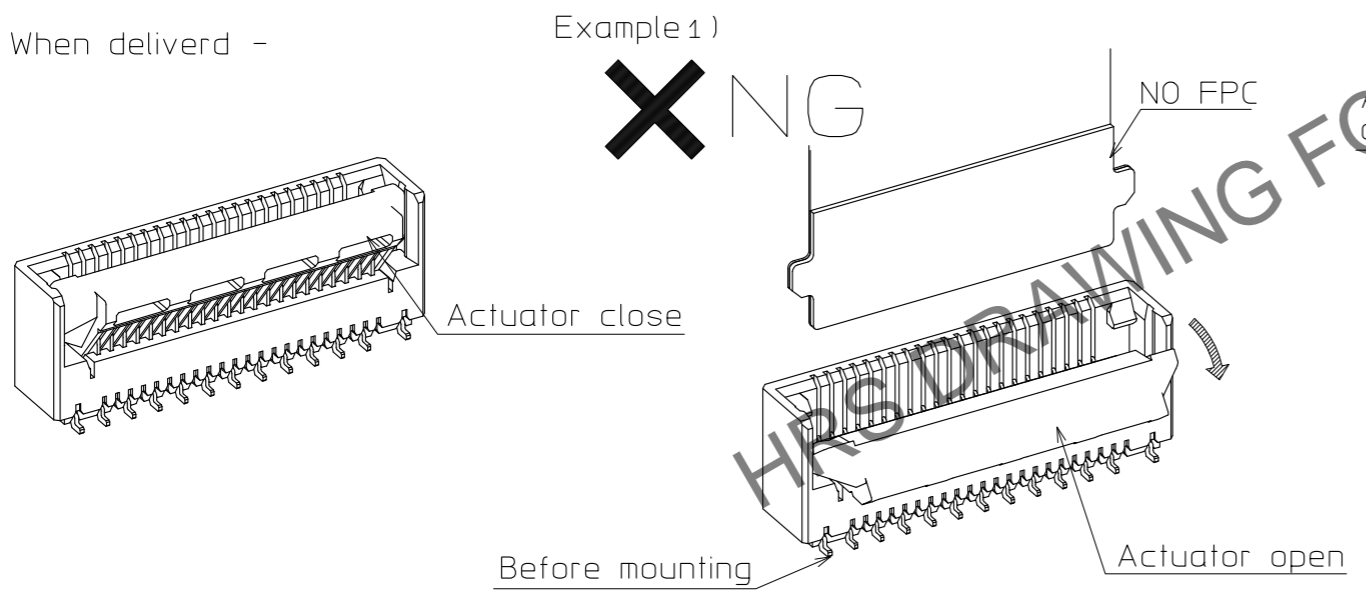
1. Initial condition

The product is supplied with the actuator closed.
Actuator does not have to be operated before inserting FPC.

[Caution]

- Do not open the actuator when the FPC is not inserted (Example 1).
- Do not insert FPC or operate actuator before mounting (Example 1).

- When delivered -



2. How to insert FPC

Insert the FPC into the connector opening vertically to the PCB surface (Example 2).
Insert it properly to the very end.

[Caution]

- Make sure the actuator is closed when insertion FPC.
- Do not insert the FPC when the actuator is open (Example 3).
- While actuator is open, it is structured so that FPC can't be inserted, but if it is forced to insert FPC it will cause breakage.
- Do not insert the FPC when the actuator is pressed from above a finger (Example 4).
- Insert the FPC pattern surface on the opposite side of the actuator operation part (Example 5).
- Align both sides of the tip of FPC vertically to the side of the connector opening and insert straight forward (Example 6).
- Do not twist the FPC to up and down or right and left or an angle (Example 7 ,8).
- Do not open actuator with fingers when insert FPC (Example 9).

<Instruction manual (1)>

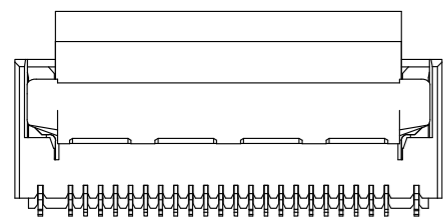
Apr.1.2025 Copyright 2025 HIROSE ELECTRIC CO., LTD. All Rights Reserved.
In case of consideration for using Automotive equipment / device which demand high reliability, kindly contact our sales window correspondents.

3. FPC insertion check
 Make sure that the FPC tabs are located in proper position after FPC insertion (Example 10).
 (The FPC position is to be aligned by the protrusion the housing.)

[Caution]
 - Do not insert the FPC at an angle and/or stop it before insertion is completed (Example 11, 12).

Example 10)

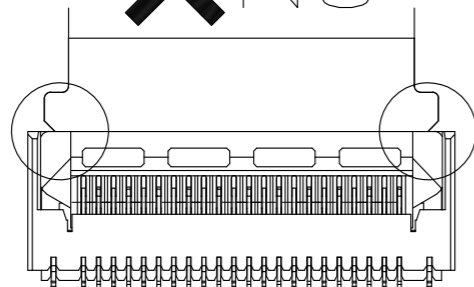
○ OK



FPC is completely inserted to the end.

Example 11)

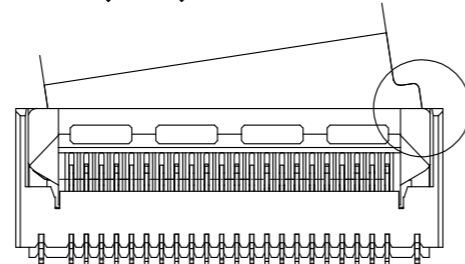
✗ NG



Insertion of FPC is shallow and not fully inserted to the end.

Example 12)

✗ NG



FPC is inserted in slanted angle and not fully inserted to the end.

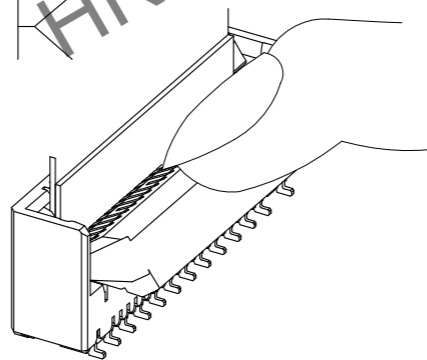
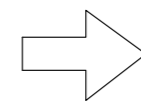
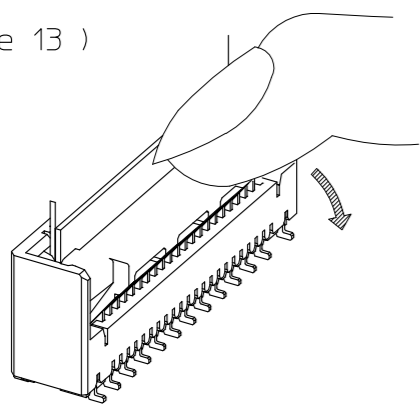
4. Use of the actuator(open/close)

Slowly filp down the actuator to the lock (Example 13).
 Slowly flip up the actuator to release the lock (Example 14).

[Caution]
 - To open/close the actuator, operate at the center of the actuator (Example 15).
 - To open/close the actuator, do not operate the actuator at one end only (Example 16).
 - The actuator is opened up to the movable limit, 90 degree. Do not open the actuator beyond the specified degree or apply excess force to the actuator (Example 17).
 - Do not pick the actuator to lift and pull it (Example 18).
 - Operate the actuator by hand without using sharp tool such as Tweezers (Example 19).
 - Do not apply excess force to the actuator during the operation (Example 20).

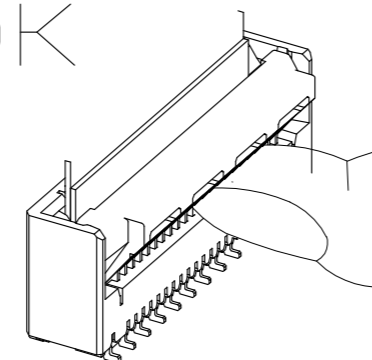
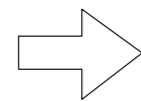
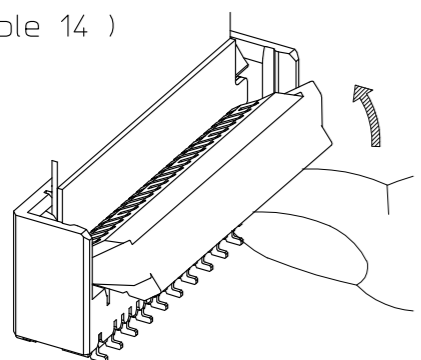
Example 13)

○ OK



Example 14)

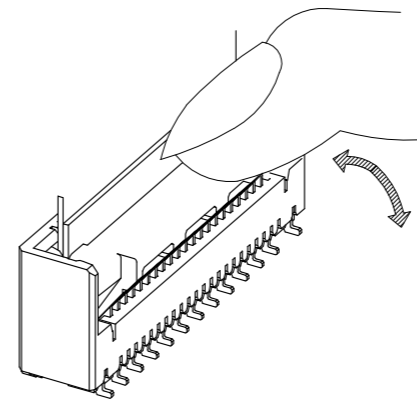
○ OK



Example 15)

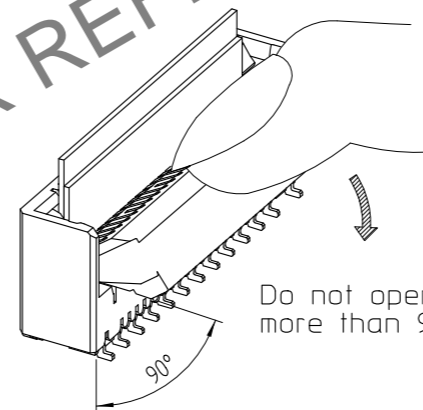
○ OK

Operate the actuator at the center



Example 17)

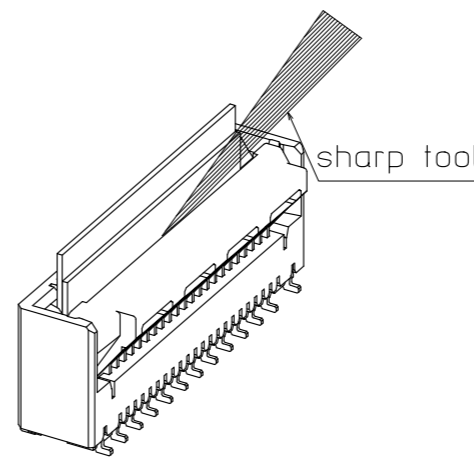
✗ NG



Do not open actuator more than 90 degree

Example 19)

✗ NG

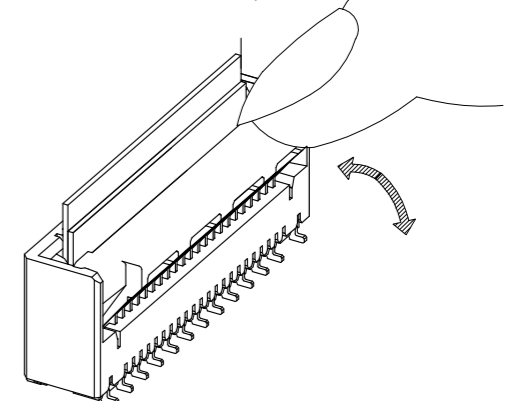


sharp tool

Example 16)

✗ NG

Do not operate the actuator at one end only



Example 18)

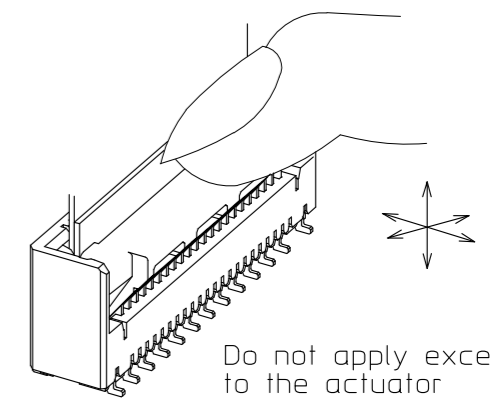
✗ NG



the excess stress which is applied on the rotation axis. could cause breakage.

Example 20)

✗ NG



Do not apply excess force to the actuator during the operation.

<Instruction manual (2)>

Apr.1.2025 Copyright 2025 HIROSE ELECTRIC CO., LTD. All Rights Reserved.
In case of consideration for using Automotive equipment / device which demand high reliability, kindly contact our sales window correspondents.

5. How to remove FPC

After flip up the actuator to the fully opened position vertically withdraw the FPC (Example 21).

[Caution]

- Do not attempt to pull the FPC without unlocking the housing (Example 22).
- After forcibly remove FPC, retention force of FPC may decrease.
- This connector has the temporary FPC holding structure with the housing. For FPC removal, do not pull out the FPC other than in the vertically direction of the PCB (Example 23).

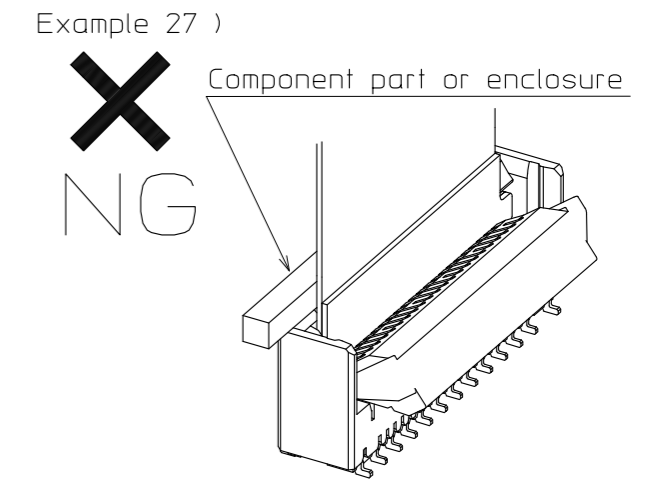
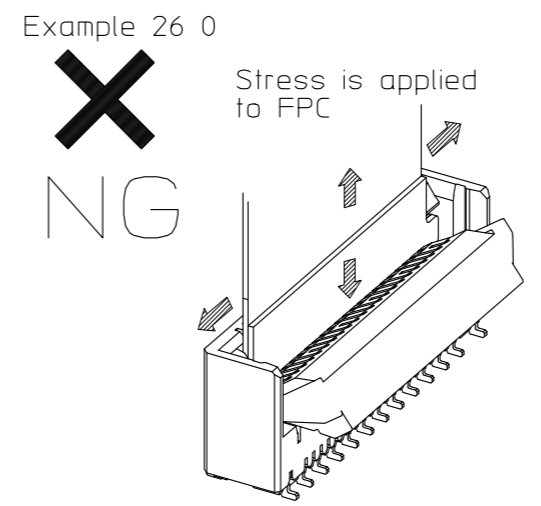
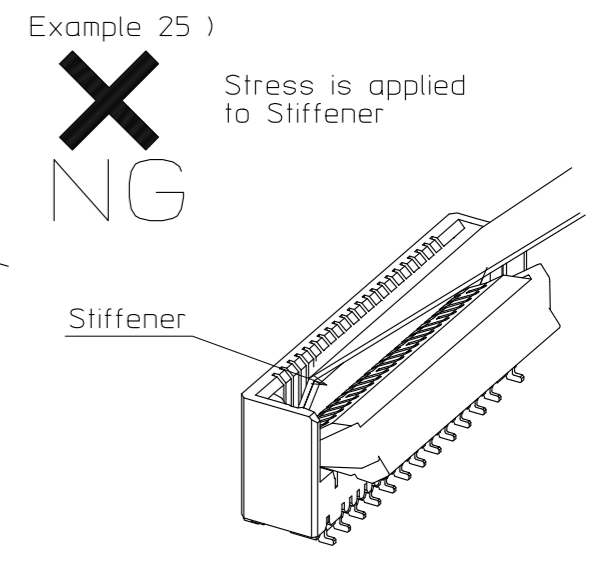
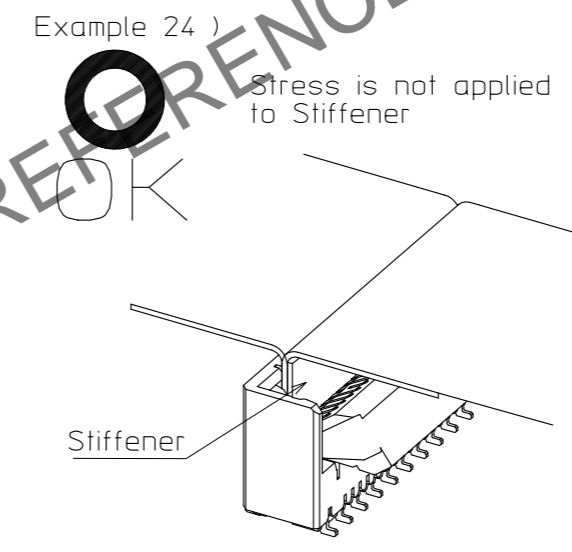
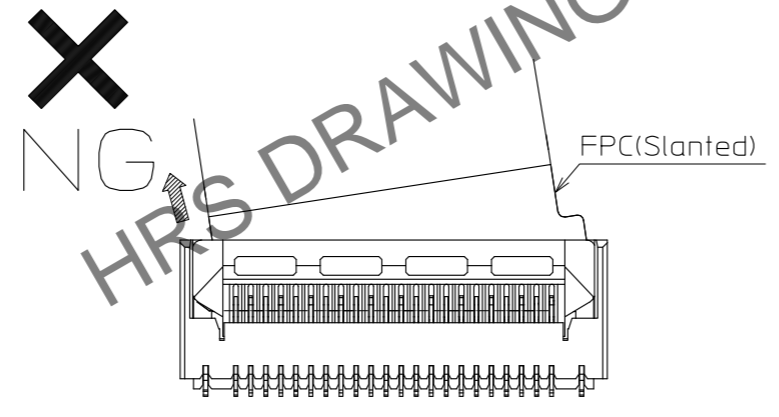
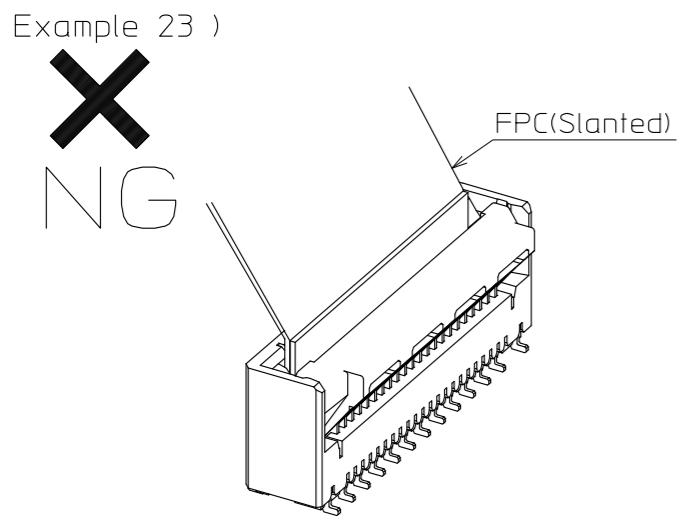
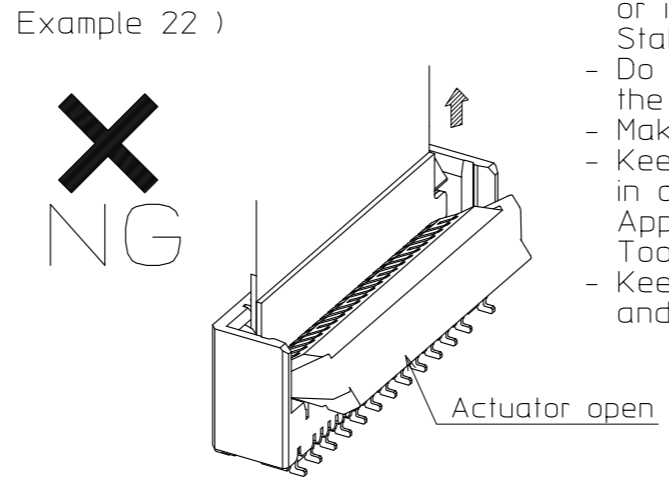
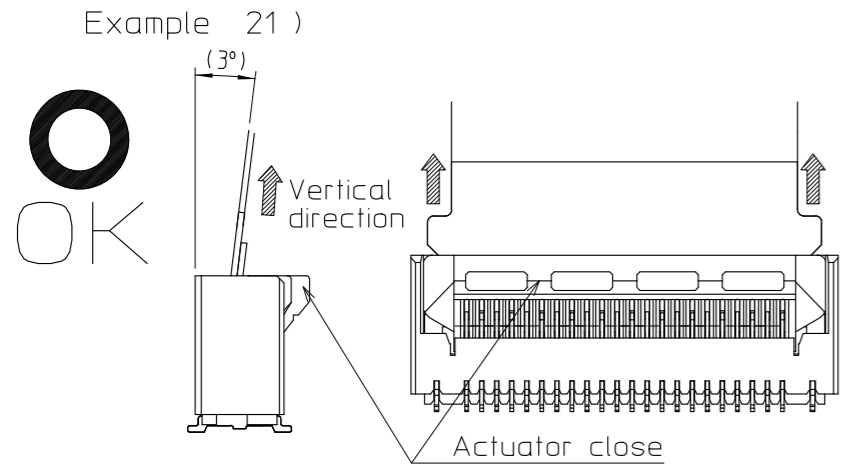
[Precautions for component layout]

Depending on a FPC routing, a load is applied to the connector, and a contact failure may occur.

To prevent a failure, take the following notes into a consideration during mechanism design.

[Caution]

- When fixing FPC after FPC cabling, avoid pulling FPC, and route the wire FPC with slack. In this regard, the stiffener is vertical to the PCB (Example 24).
- Avoid applying forces to FPC in vertical or horizontal directions. Do not bend the FPC excessively near the connector during use, or it may cause contact failure of FPC breakage. Stabilizing the FPC is recommended (Example 25, 26)
- Do not mount other components or enclosure touching to the FPC underneath the FPC stiffener (Example 27).
- Make adjustments with the FPC manufacturer for FPC bending performance and wire breakage.
- Keep a sufficient FPC insertion space in the stage of the layout in order to avoid incorrect FPC insertion. Appropriate FPC length and component layout are recommended for assembly ease. Too short FPC length makes assembly difficult.
- Keep spaces for the locking lever movement and its operation for PCB design and component layout.



<Instruction manual (3)>

Apr.1.2025 Copyright 2025 HIROSE ELECTRIC CO., LTD. All Rights Reserved.
In case of consideration for using Automotive equipment / device which demand high reliability, kindly contact our sales window correspondents.

[Instructions for mounting on the PCB]

Follow the instructions shown below when mounting on the PCB.

[Caution]

- Refer to recommended layouts on the page 1 for PCB and Stencil pattern.
- Shorter pattern width than the recommended PCB dimension, could cause solder wicking and/of flux penetration.
- Larger pattern than the recommended stencil dimension, could cause solder wicking and/of flux penetration.
- Clearance underneath the contact lead and the housing is very small. In case solder resist and/or silk screening are applied on PCB underneath the connector, verify the thickness, or it could push up the connector bottom and may cause soldering defect and/or insufficient fillet formation.
- Apply reflow temperature profile within the specified conditions. In individual applications, the actual temperature may vary, depending on solder paste type, volume/thickness and PCB size/thickness. Consult your solder paste and equipment manufacturer for specific recommendations.
- Prevent warpage of PCB, where possible, since it can cause soldering failure : even with 0.1 mm max coplanarity.
- When mounting on the flexible board, please make sure to put a stiffener on the backsides of the flexible board. We recommend a glass epoxy material with the thickness of 0.3mm min.
- Do not add 1.0N or greater external force when unreel or pick and place the connector etc, or it may get broken.

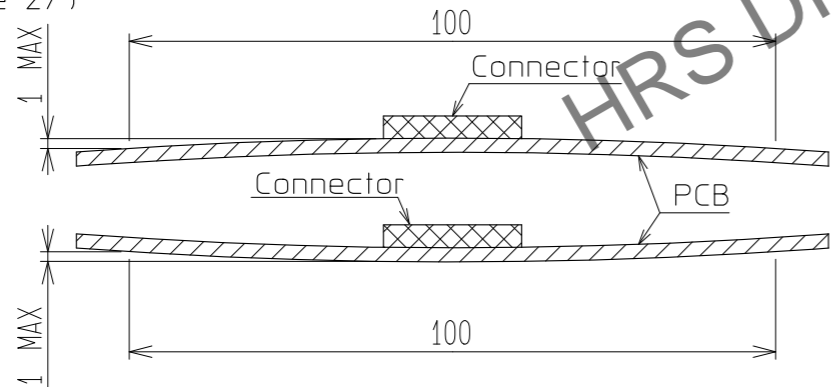
[Instructions for PCB handling after mounting the connector]

Follow the instructions shown below when mounting on the PCB.

[Caution]

- Splitting a large PCB into several pieces
 - Screwing the PCB
- During the handling described above, do not exert an excessive force on the PCB. Otherwise, the connector may become defective.
- The warp of a 100mm wide PCB should be 1.0mm or less. The warp of PCB suffers stress on connector and the connector may become defective(Example 27).

Example 27)



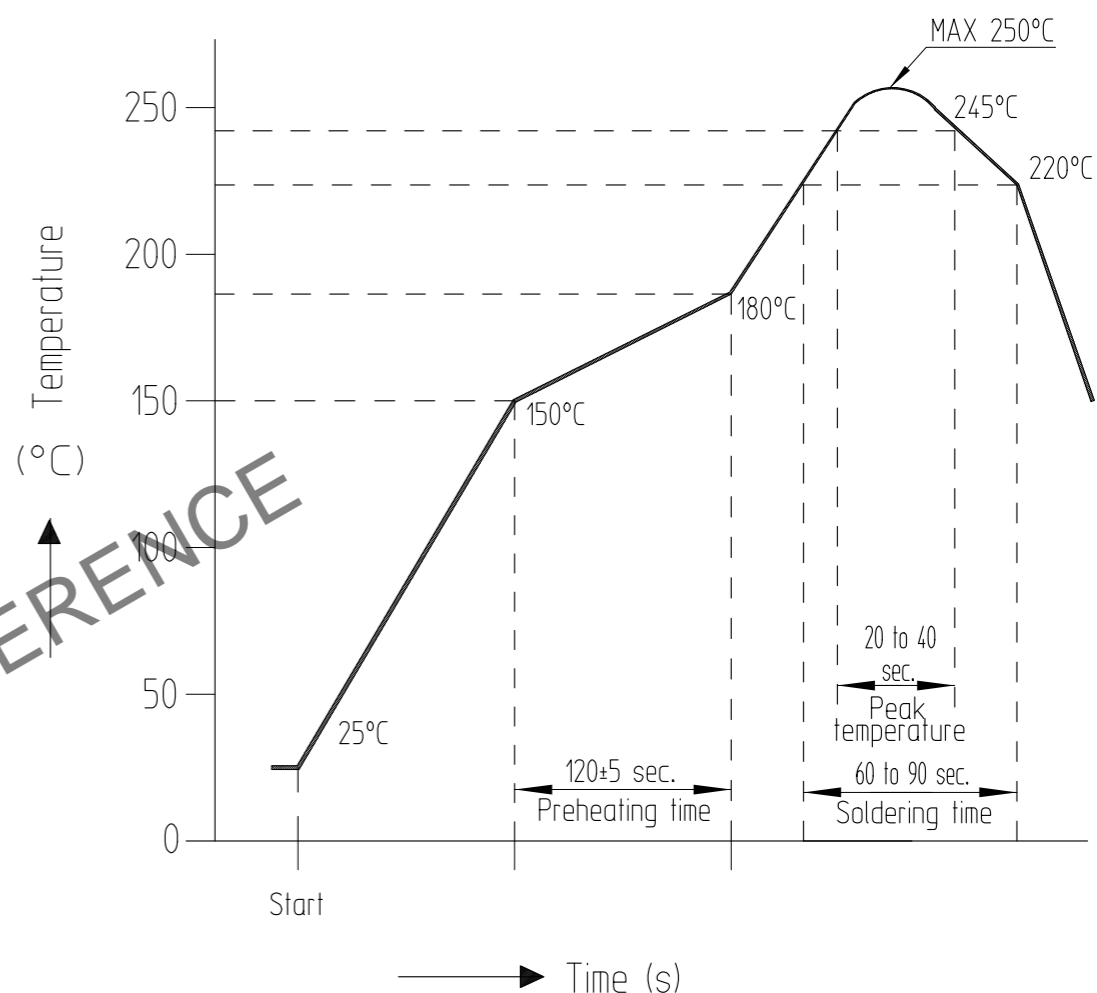
[Instructions on manual soldering]

Follow the instructions shown below when soldering the connector manually during repair work, etc.

[Caution]

- Do not perform manual soldering with the FPC inserted into the connector.
- Do not heat the connector excessively. Be very careful not to let the soldering iron contact any parts other than connector leads. Otherwise, the connector may be deformed or melt.
- Do not supply excessive solder (or flux). If excessive solder (or flux) is supplied on the terminals, solder or flux may adhere to the contacts, resulting in poor contact. Supplying excessive solder to the metal fittings may hinder locking lever rotation, resulting in breakage of the connector.

[Recommended reflow temperature profile]



[Applicable conditions]

Reflow method : IR/Hot air
Solder : Paste type Sn/3.0Ag/0.5Cu

Test PCB :

- Material : Glass epoxy
- Land size : Recommended Pattern

Metal Mask :

- Thickness & Opening size : Recommended Pattern

This temperature profile is based on the above conditions. It may vastly depending on solder paste type, manufacturer, PCB size and mounting materials. Please use only after checking the mounting conditions.

<Instruction manual (4)>