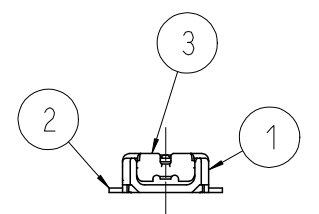
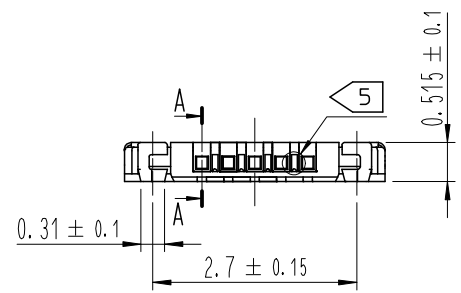
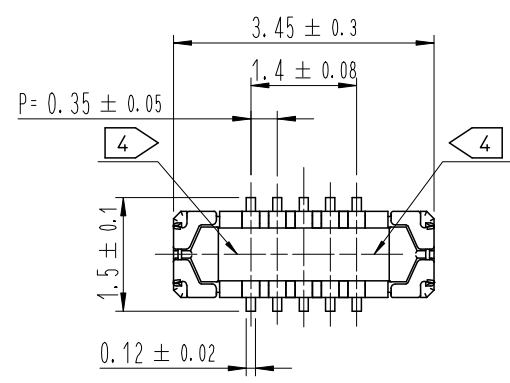
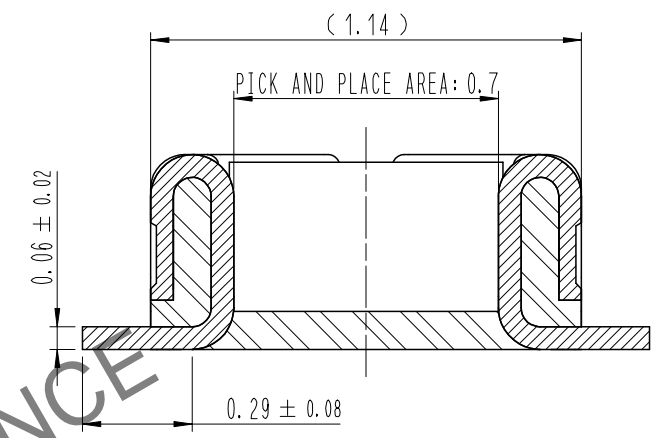


Dec.1.2024 Copyright 2024 HIROSE ELECTRIC CO., LTD. All Rights Reserved.
In case of consideration for using Automotive equipment / device which demand high reliability, kindly contact our sales window correspondents.

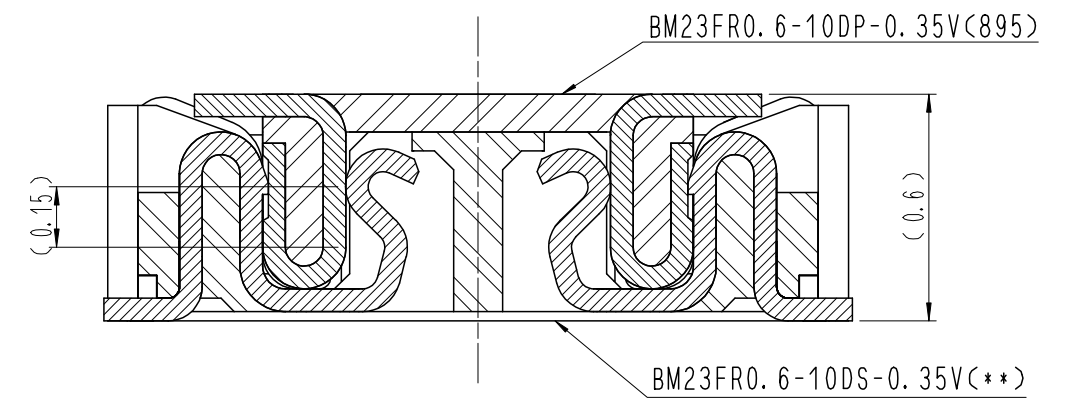
COUNT	DESCRIPTION OF REVISIONS	B	Y	CHKD	DATE	COUNT	DESCRIPTION OF REVISIONS	B	Y	CHKD	DATE
△						△					
△						△					
△						△					



A-A (50:1)



ENGAGEMENT FIGURE (50:1)



DRAWING FOR REFERENCE
This is subject to change without notice

- NOTE
- 1 . ALL LEAD CO-PLANARITY SHALL BE 0.08mm MAX.
 - 2 CONTACT PLATING SPECIFICATIONS.
CONTACT AREA : GOLD 0.05 μm MIN.
SMT LEAD : GOLD 0.05 μm MIN.
UNDER PLATING : NICKEL 1 μm MIN.
(SURFACE : SEALING)
 - 3 METAL FITTING PLATING SPECIFICATIONS.
SMT LEAD : GOLD 0.05 μm MIN.
UNDERPLATING : NICKEL 1 μm MIN.
(SURFACE : SEALING)
 - 4 HRS MARK AND CAV No. ARE INDICATED IN APPROX POSITION SHOWN.
 - 5 A PART OF THE WALL COULD BE NOTCHED.

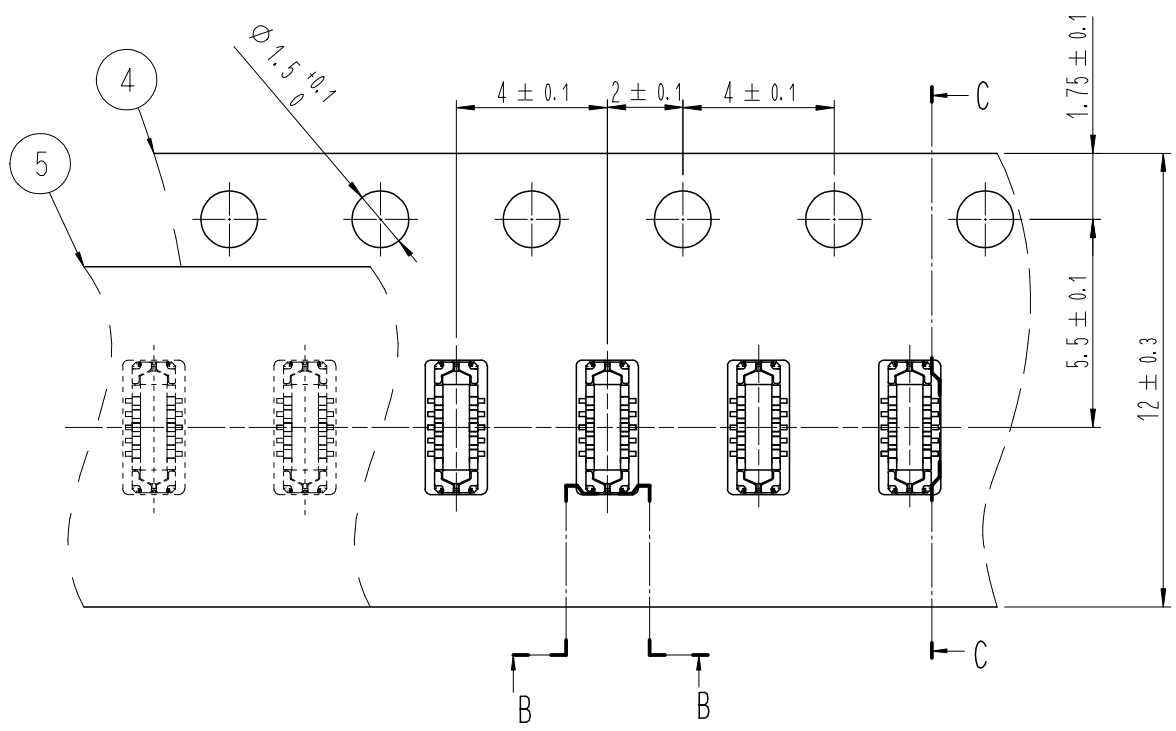
4	PS	CLEAR (EMBOSSD CARRIER TAPE)			
3	COPPER ALLOY	3	7	PS	CLEAR (REINFORCEMENT COLLAR)
2	COPPER ALLOY	2	6	PS	BLACK (PLASTIC REEL)
1	LCP	UL94 V-0, BLACK	5	POLYESTER	CLEAR (COVER TAPE)
NO.	MATERIAL	FINISH , REMARKS	NO.	MATERIAL	FINISH , REMARKS

REMARKS			DRAWN	DESIGNED	CHECKED	APPROVED	RELEASED
			S. H. JUNG	S. H. JUNG	H. W. JO	T. S. KANG	17.05.08
			17.05.08	17.05.08	17.05.08	17.05.08	

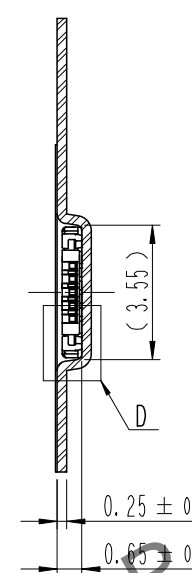
CODE NO. (OLD)		DRAWING NO.	EDC3-631861	PART NO.	BM23FR0.6-10DP-0.35V(895)
	SCALE 10:1			CODE NO	CL 6644-0004-5-895
	UNITS mm	HRS HIROSE KOREA CO., LTD.			1/3

Dec.1.2024 Copyright 2024 HIROSE ELECTRIC CO., LTD. All Rights Reserved.
In case of consideration for using Automotive equipment / device which demand high reliability, kindly contact our sales window correspondents.

EMBOSSED CARRIER TAPE PACKAGING (5:1)

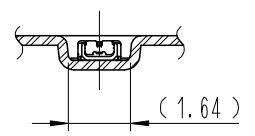


C-C (5:1)

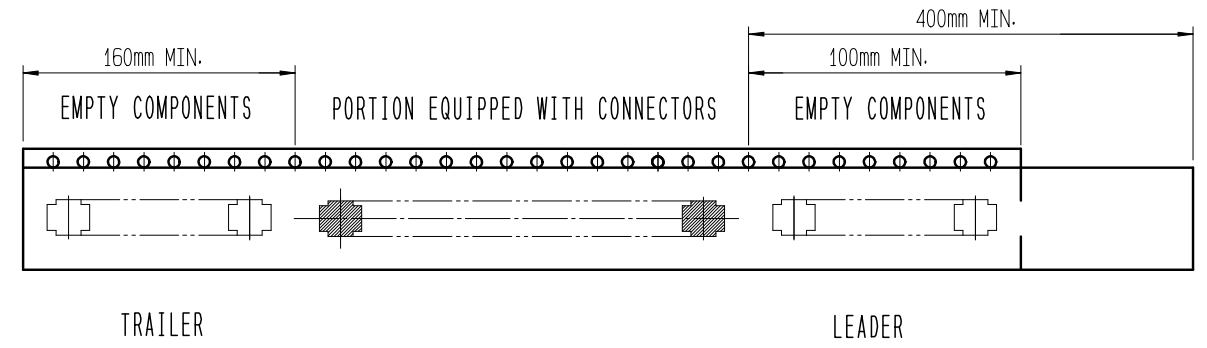


DIRECTION OF UNREELING →

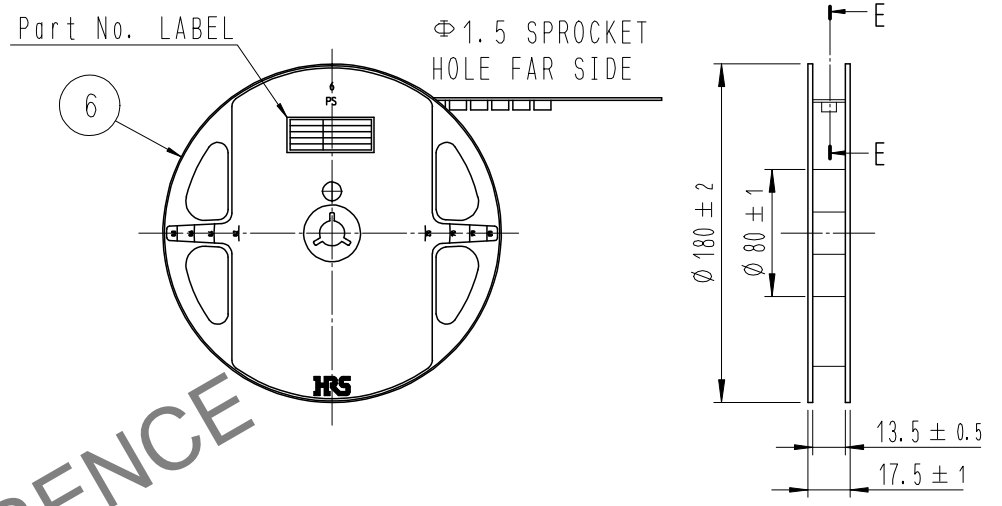
B-B (5:1)



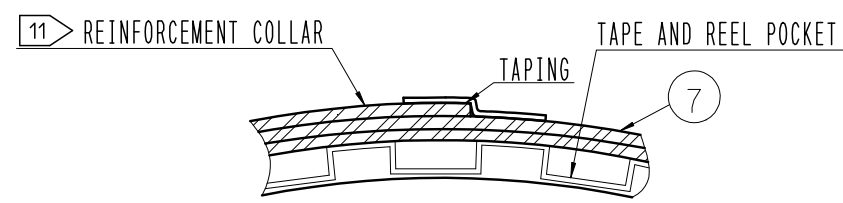
10 TAPING(FREE)



STYLE AND DIMENTION OF REEL (FREE)



E-E (FREE)



DETAIL OF PART No. LABEL

—	SUPPLIER	
—	QUANTITY	
—	PART NO.	
—	CODE NO.	
—	DATE OF MANUFACTURED	
—	生産月日	年 月 日
—	図番	** ** *
—	品名	BM23FR0.6-10DP-0.35V(895)
—	納入数量	1,000個
—	納入者	HIROSE KOREA

- 8 . PER REEL 1,000 CONNECTORS.
- 9 . THE DIMENSIONS IN PARENTHESES ARE FOR REFERENCE.
- 10 REFER TO JIS C 0806, IEC-60286-3 (PACKAGING OF COMPONENTS FOR AUTOMATIC HANDLING)
- 11 AFTER PACKAGING, ROLL 2 METERS OF THE REINFORCEMENT COLLAR TO OUTER CIRCUMFERENCE OF TAPE AND REEL POCKET, AND TAPE DOWN AT THE END THE COLLAR.

	DRAWING NO.	EDC3-631861	PART NO.	BM23FR0.6-10DP-0.35V(895)
	SCALE	10:1	CODE NO	CL 6644-0004-5-895
UNITS	mm		HRS HIROSE KOREA CO.,LTD.	
				3/3