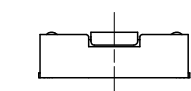
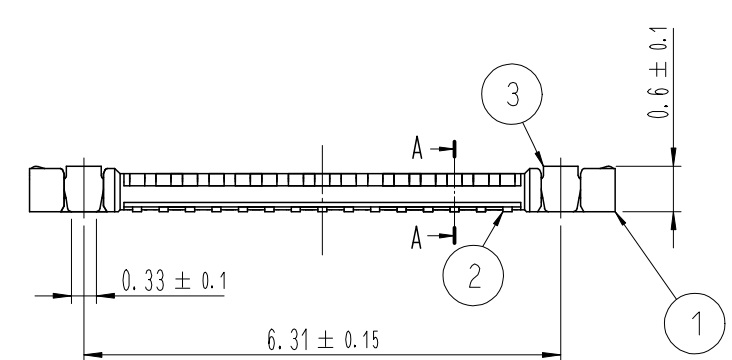
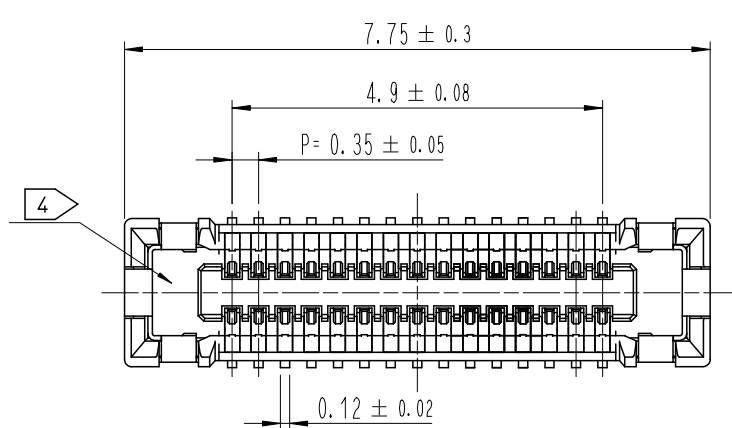


Dec.1.2024 Copyright 2024 HIROSE ELECTRIC CO., LTD. All Rights Reserved.
In case of consideration for using Automotive equipment / device which demand high reliability, kindly contact our sales window correspondents.

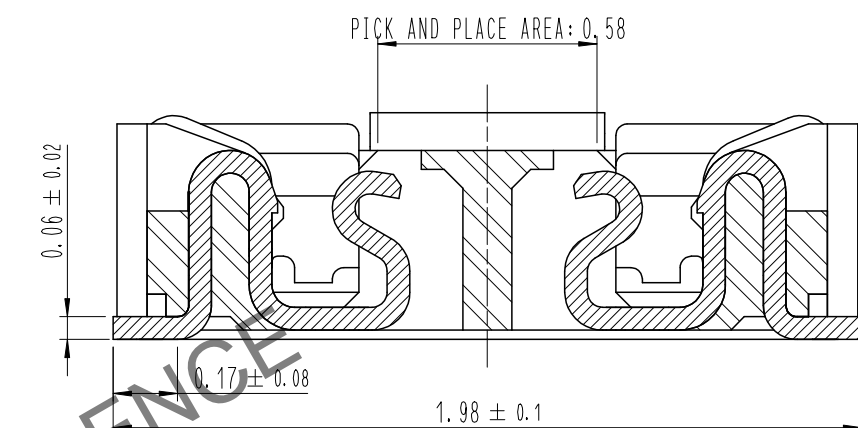
1 2 3 4 5 6 7 8

A
B
C
D
E
F

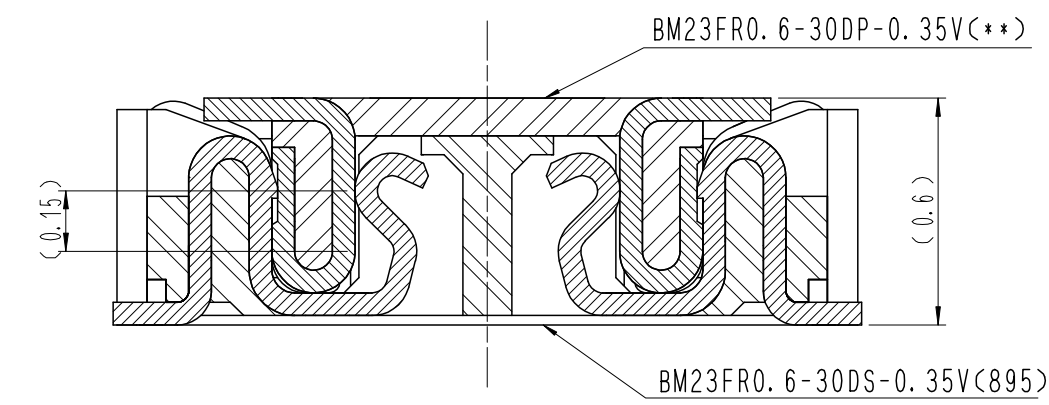
| COUNT | DESCRIPTION OF REVISIONS | B | Y | CHKD | DATE | COUNT | DESCRIPTION OF REVISIONS | B | Y | CHKD | DATE |
|-------|--------------------------|---|---|------|------|-------|--------------------------|---|---|------|------|
| △ | | | | | | △ | | | | | |
| △ | | | | | | △ | | | | | |
| △ | | | | | | △ | | | | | |



A-A (50:1)



ENGAGEMENT FIGURE (50:1)



DRAWING FOR REFERENCE
This is subject to change without notice

- NOTE
- 1 . ALL LEAD CO-PLANARITY SHALL BE 0.08mm MAX.
 - 2 . CONTACT PLATING SPECIFICATIONS.
CONTACT AREA : GOLD 0.05 μm MIN.
SMT LEAD : GOLD 0.05 μm MIN.
UNDERPLATING : NICKEL 1 μm MIN.
(SURFACE : SEALING)
 - 3 . MATAL FITTING PLATING SPECIFICATIONS.
SMT LEAD : GOLD 0.05 μm MIN.
UNDERPLATING : NICKEL 1 μm MIN.
(SURFACE : SEALING)
 - 4 . CAV NO. IS INDICATED IN APPROX POSITION SHOWN.

| 4 | PS | CLEAR (EMBOSSED CARRIER TAPE) | | | |
|-----|--------------|-------------------------------|-----|-----------|------------------------------|
| 3 | COPPER ALLOY | 3 | 7 | PS | CLEAR (REINFORCEMENT COLLAR) |
| 2 | COPPER ALLOY | 2 | 6 | PS | BLACK (PLASTIC REEL) |
| 1 | LCP | UL94 V-0, BLACK | 5 | POLYESTER | CLEAR (COVER TAPE) |
| NO. | MATERIAL | FINISH, REMARKS | NO. | MATERIAL | FINISH, REMARKS |

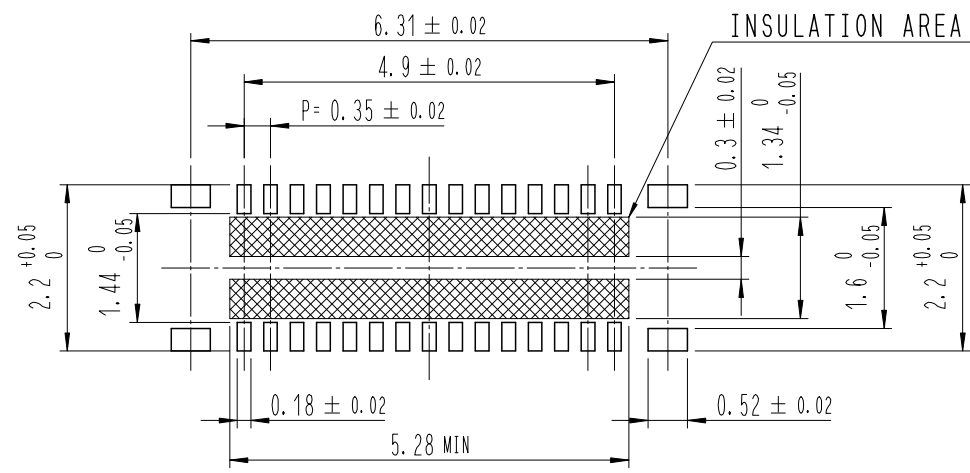
| REMARKS | | DRAWN | DESIGNED | CHECKED | APPROVED | RELEASED |
|---------|--|------------|------------|------------|------------|------------|
| | | S. H. JUNG | S. H. JUNG | H. W. JO | T. S. KANG | 17. 05. 08 |
| | | 17. 05. 08 | 17. 05. 08 | 17. 05. 08 | 17. 05. 08 | |

| | | | | | |
|----------------|---------------|----------------------------|-------------|----------|---------------------------|
| CODE NO. (OLD) | | DRAWING NO. | EDC3-632123 | PART NO. | BM23FR0.6-30DS-0.35V(895) |
| | SCALE 10:1 | HRS HIROSE KOREA CO., LTD. | | CODE NO | CL 6644-0079-4-895 |
| | UNITS mm | | | | 1/3 |

1 2 3 4 5 6 7 8

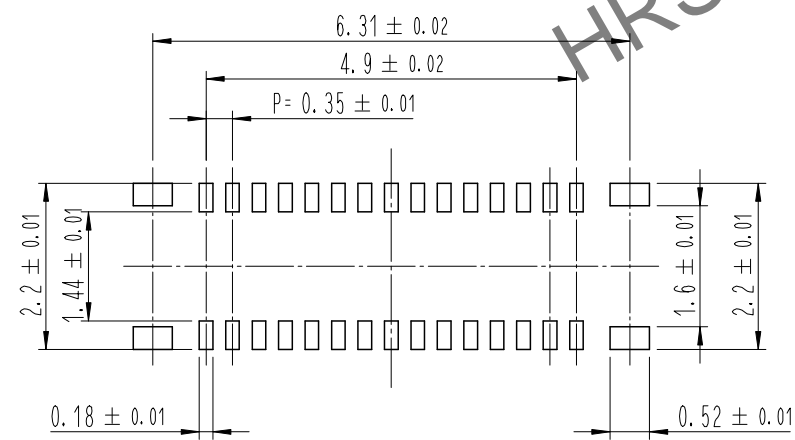
Dec.1.2024 Copyright 2024 HIROSE ELECTRIC CO., LTD. All Rights Reserved.
In case of consideration for using Automotive equipment / device which demand high reliability, kindly contact our sales window correspondents.

6 RECOMMENDED PCB LAYOUT

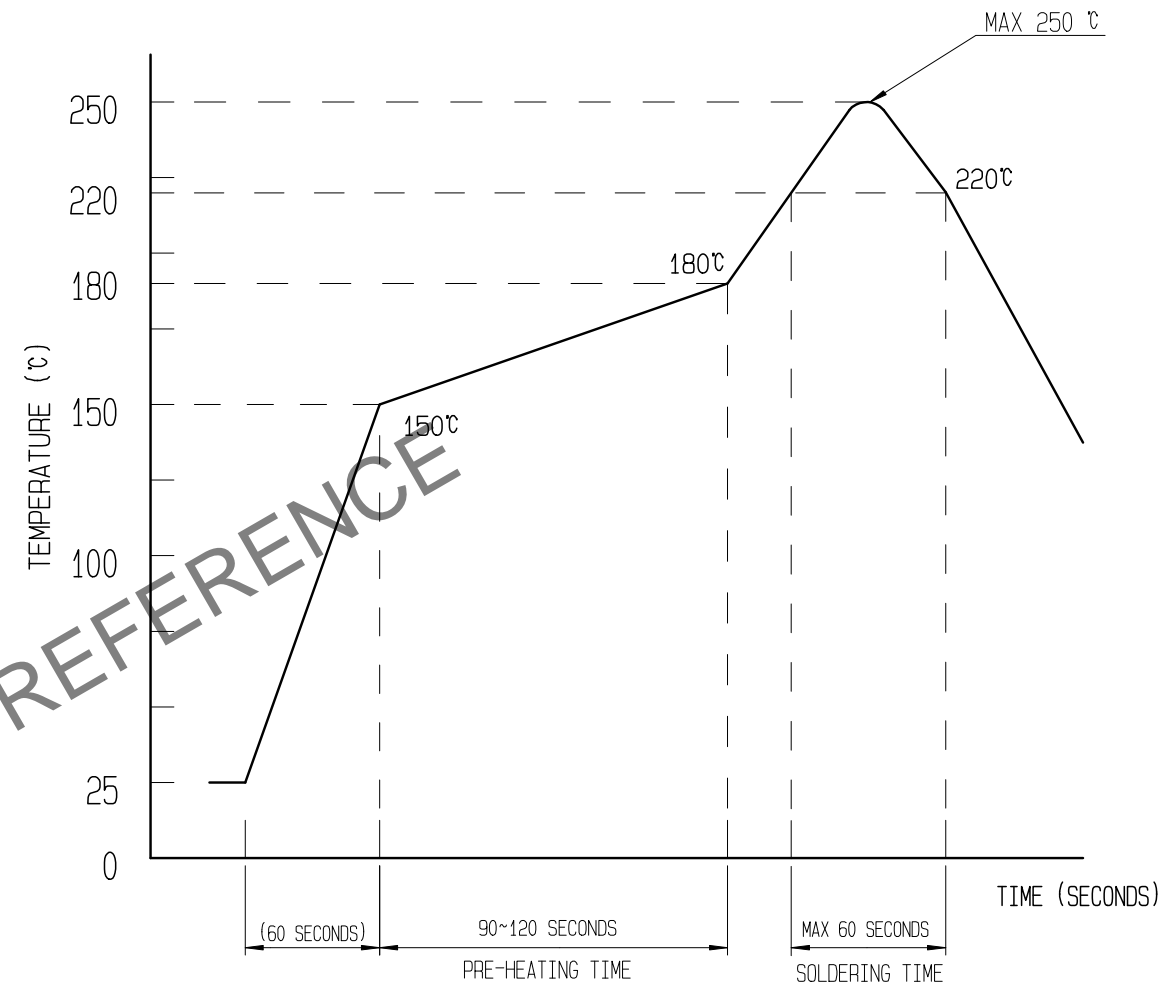


RECOMMENDED METAL MASK DIMENSIONS

MATAL MASK THICKNESS : 100 μm



5 RECOMMENDED REFLOW TEMPERATURE PROFILE USING LEAD-FREE SOLDER PASTE.

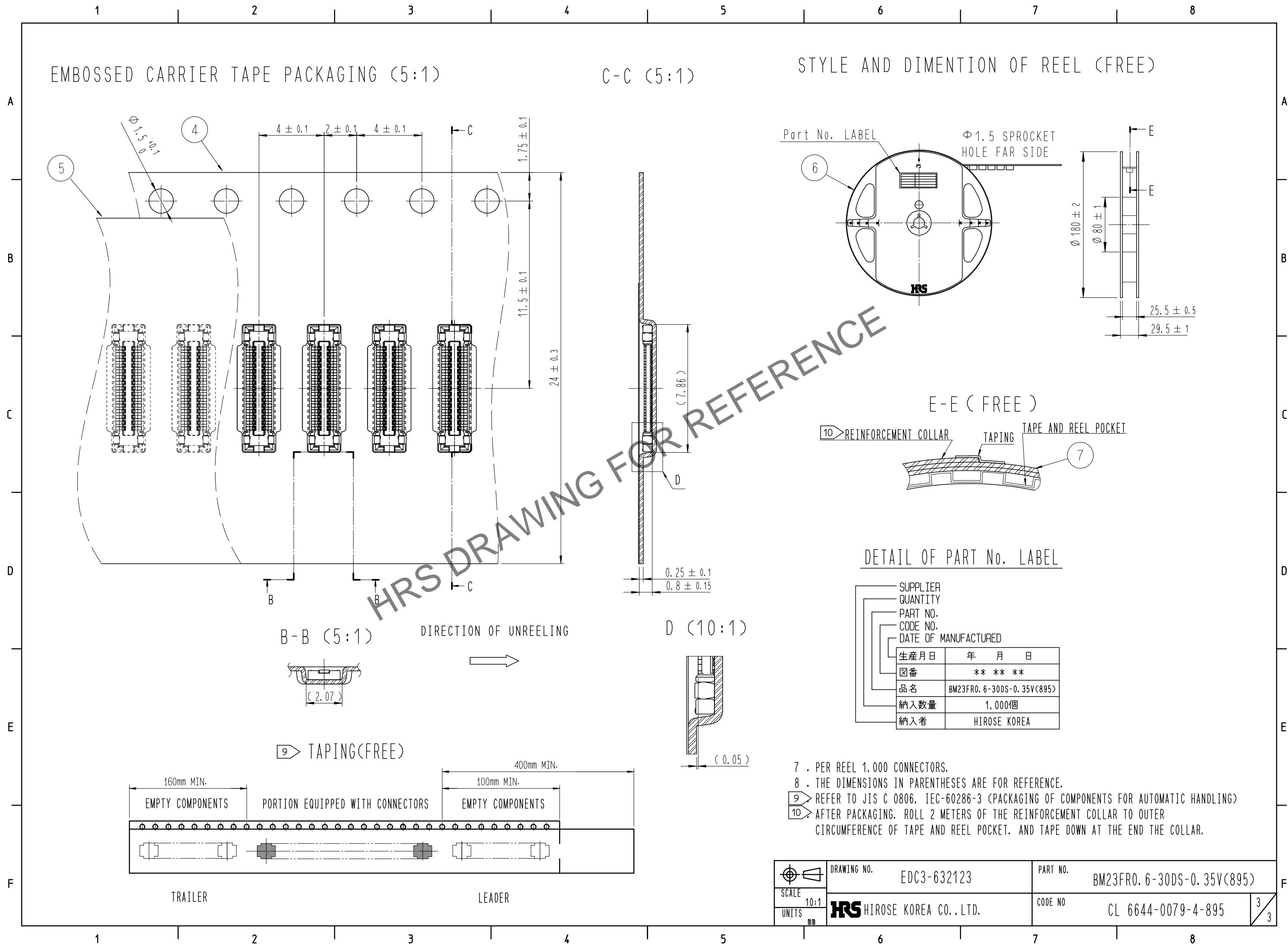


REFLOW METHOD: N2 REFLOW
 NUMBER OF REFLOW CYCLES: 2 CYCLES MAX.
 1) REFLOW TIME
 DURATION ABOVE 220°C: 60 SEC MAX.
 (PEAK TEMPERATURE: 250°C MAX)
 2) PRE-HEAT TIME
 PRE-HEAT TEMPERATURE(MIN): 150°C
 PRE-HEAT TEMPERATURE(MAX): 180°C
 PRE-HEAT TIME: 90-120 SEC.

- 5 THIS TEMPERATURE PROFILE IS PER THE CONDITIONS SHOWN ABOVE. ADDITIONAL FACTORS, SUCH AS SOLDER PASTE TYPE, PCB SIZE AND OTHER MOUNTED COMPONENTS COULD AFFECT THE PROFILE. THEREFORE, A THOROUGH EVALUATION OF MOUNTING CONDITION IS REQUIRED PRIOR TO PRODUCTION. TEMPERATURE IS MEASURED AT CONTACT LEAD.
- 6 PLEASE CONTACT US IN CASE YOU WILL MAKE DIFFERENT SETTINGS FROM OUR RECOMMENDATION.

| | | | | | |
|-------|-------------|-------------|----------------------------|---------------------------|-----|
| | DRAWING NO. | EDC3-632123 | PART NO. | BM23FR0.6-30DS-0.35V(895) | |
| | SCALE | 10:1 | CODE NO | CL 6644-0079-4-895 | 2/3 |
| UNITS | mm | | HRS HIROSE KOREA CO., LTD. | | |

Dec.1.2024 Copyright 2024 HIROSE ELECTRIC CO., LTD. All Rights Reserved.
In case of consideration for using Automotive equipment / device which demand high reliability, kindly contact our sales window correspondents.



| | | | | |
|---------------|-------------|----------------------------|----------|-------------------------------|
| SCALE 10:1 | DRAWING NO. | EDC3-632123 | PART NO. | BM23FR0. 6-30DS-0. 35V(895) |
| | UNITS mm | HRS HIROSE KOREA CO., LTD. | | CODE NO CL 6644-0079-4-895 |

3/3