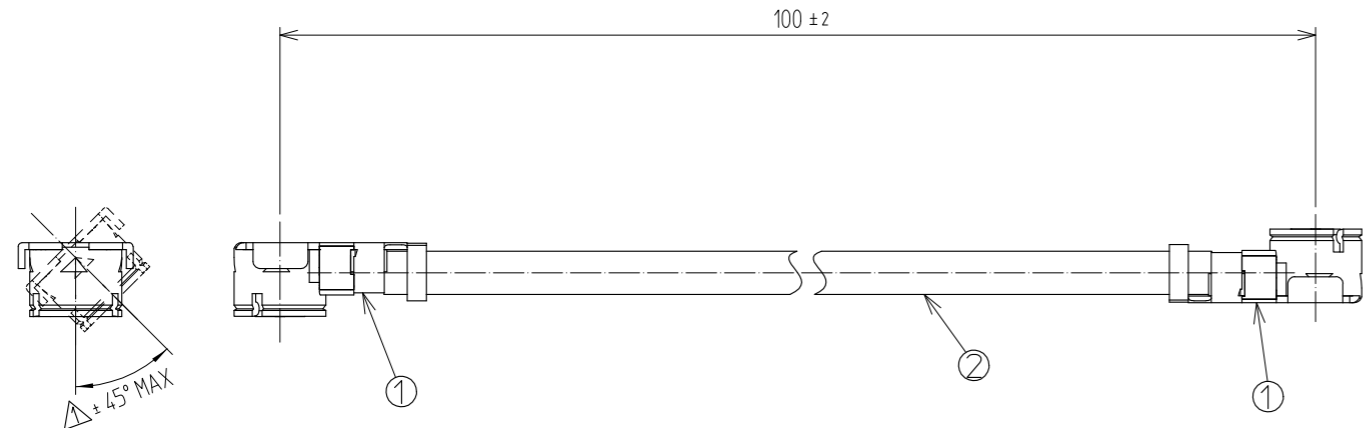
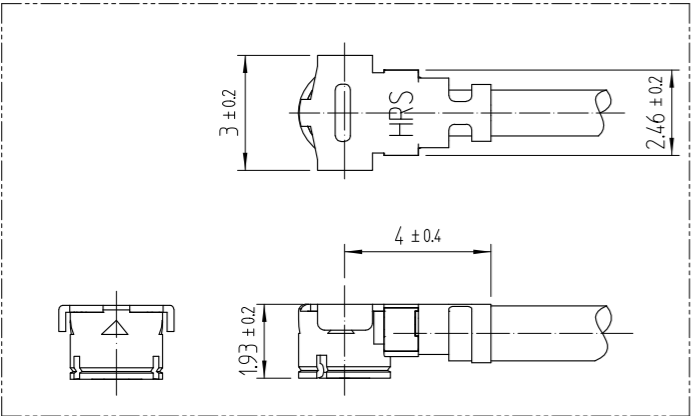


Dec.1.2024 Copyright 2024 HIROSE ELECTRIC CO., LTD. All Rights Reserved.
In case of consideration for using Automotive equipment / device which demand high reliability, kindly contact our sales window correspondents.

COUNT	DISCRIPTION OF REVISIONS	B	Y	CHKD	DATE	COUNT	DISCRIPTION OF REVISIONS	B	Y	CHKD	DATE
△ 1	RE-3-1844	KMJ		KHS	23. 04. 05	△					
△						△					
△						△					



[DIMENSIONS OF CONNECTOR]



[PRECAUTIONS FOR HANDLING]

- ◆ Connector insertion and extraction
 - Connector shall be extracted vertically by specialised extraction JIG. Part No.:U.FL-LP(V)-N-2. Never hold the cable when extracting the cable because it damages the connector.
 - Insert the connector as perpendicularly to the mating surface as possible by aligning the mating axes of both connectors. Do not excessively slant the connectors when inserting.
- ◆ Allowable loads on the cable after the connectors are mated. The figures below show the maximum allowable loads on the cable. Do not apply loads exceeding these values to the cable.

[Attention when wiring for U.FL-LPK-066 harness]

The cable must not touch the case directly in a movable part.

It is recommended to do to put among the tapes that slip easily and for the load not to hang directly to the cable.

Fluorine film tape etc.

Guide

10 MIN

[When the part that winds repeatedly is near the plug]
Please install the guide so that the plug should not come off from the cable according to the winding direction.

Please separate the winding position from the plug edge by 10mm or more.

Please avoid the usage to which the cable bends repeatedly in the direction of the cable axis in a movable part.

1	U.FL-LPK-066	GOLD PLATING	2	CABLE	HITACHI Ø1.32 COAXIAL CABLE
NO.	MATERIAL	FINISH . REMARKS	NO.	MATERIAL	FINISH . REMARKS
CODE NO. (OLD)			DRAWN	DESIGNED	CHECKED
			H.G PARK	H.G PARK	D.G KIM
			19.04.17	19.04.17	19.04.17
			APPROVED	RELEASED	
			H.S KIM	ENG	
			19.04.17	23.04.06	
			DEPT		
DRAWING NO.			PART NO.		
EDC3-632816-80			UFL-2LPK-066H1-AC100(800)		
SCALE			CODE NO.		
FREE			CL 6327-0370-3-800		
UNITS			1/1		
mm					