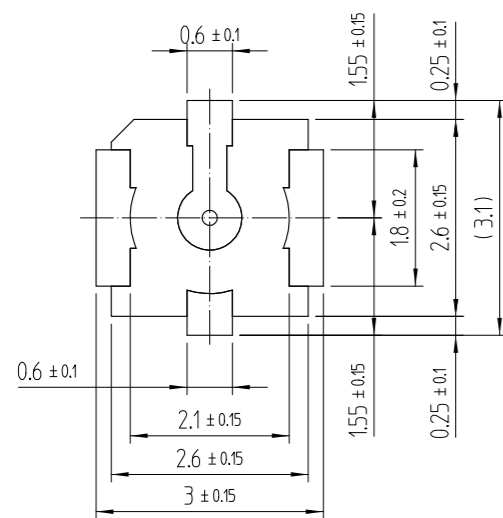
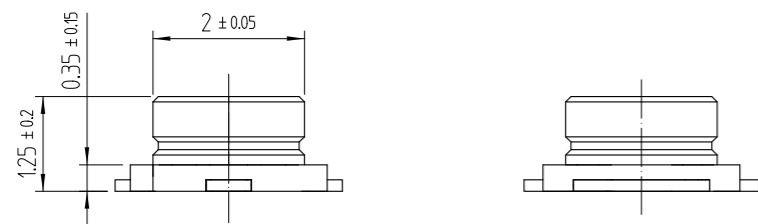
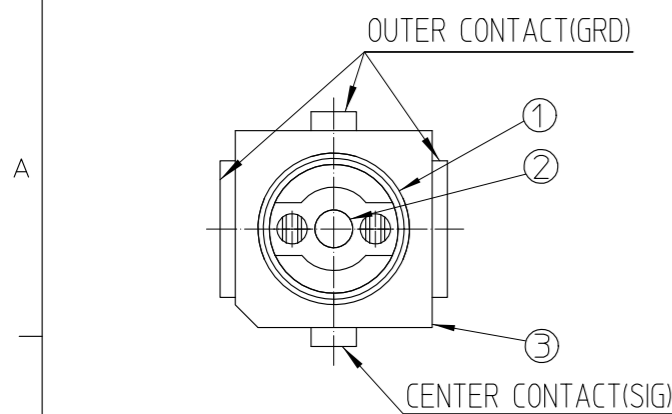
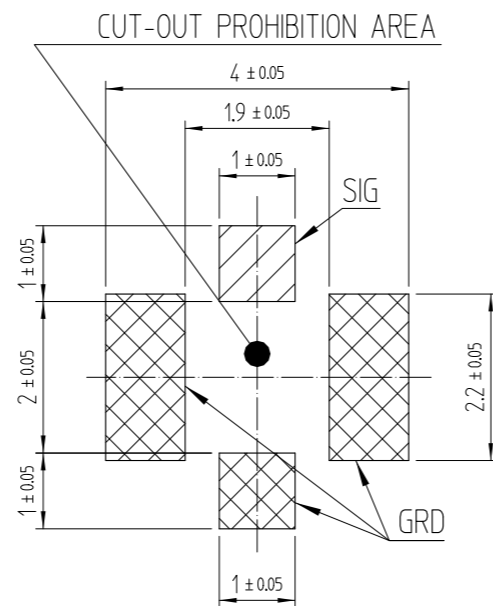


Jan.1.2025 Copyright 2025 HIROSE ELECTRIC CO., LTD. All Rights Reserved.
In case of consideration for using Automotive equipment / device which demand high reliability, kindly contact our sales window correspondents.

△數 COUNT	訂正事項 DISCRIPTION OF REVISIONS	擔當 B Y	檢圖 CHKD	年月日 DATE	△數 COUNT	訂正事項 DISCRIPTION OF REVISIONS	擔當 B Y	檢圖 CHKD	年月日 DATE
△2	RE-3-1760	KMJ	KHS	22.09.14	△				
△1	RE-3-1863	KMJ	KHS	23.05.18	△				
△					△				

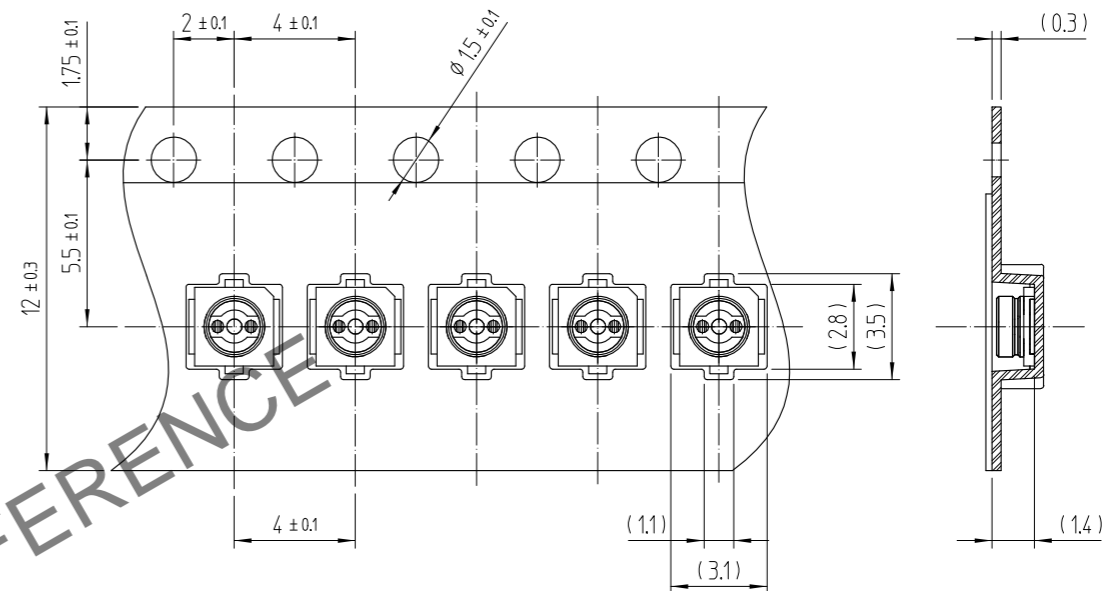


△ RECOMMENDED LAND PATTERN, METAL MASK DRAWING(5:1)
RECOMMENDED METAL MASK THICKNESS: t = 0.1

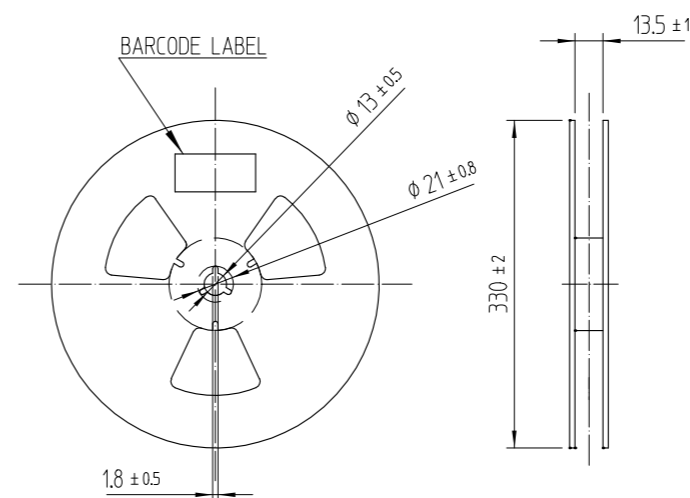


EMBOSSD TAPE DRAWING(4:1)

DIRECTION OF UNREELING



REEL DRAWING (SCALE FREE)



MATERIAL: PS(WHITE)

NOTES:

1. THE QUANTITY OF U.FL-R-SMT-K IS 10,000 CONNECTORS PER REEL.
2. LEAD CO-PLANARITY SHALL BE 0.1 MAX.
3. FOR THE POSSIBILITY OF BREAKAGE OR DEFORMATION DO NOT MATE THIS CONNECTOR WITH PARTNER, U.FL-LPK-*** BEFORE MOUNTING ON PC BOARD.
4. USE ALL PRODUCTS WITHIN 6 MONTHS AFTER THE DELIVERY.
STORE THEM IN MANUFACTURER'S PACKAGE OR TIGHTLY RE-CLOSED BOX WITH THE FOLLOWING CONDITIONS.
USE THIS PRODUCT WITHIN 6 MONTHS AFTER RECEIPT.
CHECK THE TERMINAL SODERABILITY BEFORE USE IF THE PRODUCT HAS BEEN STORED FOR MORE THAN 6 MONTHS.

TEMPERATURE : -10°C TO +40°C
HUMIDITY : 15 TO 85% RH

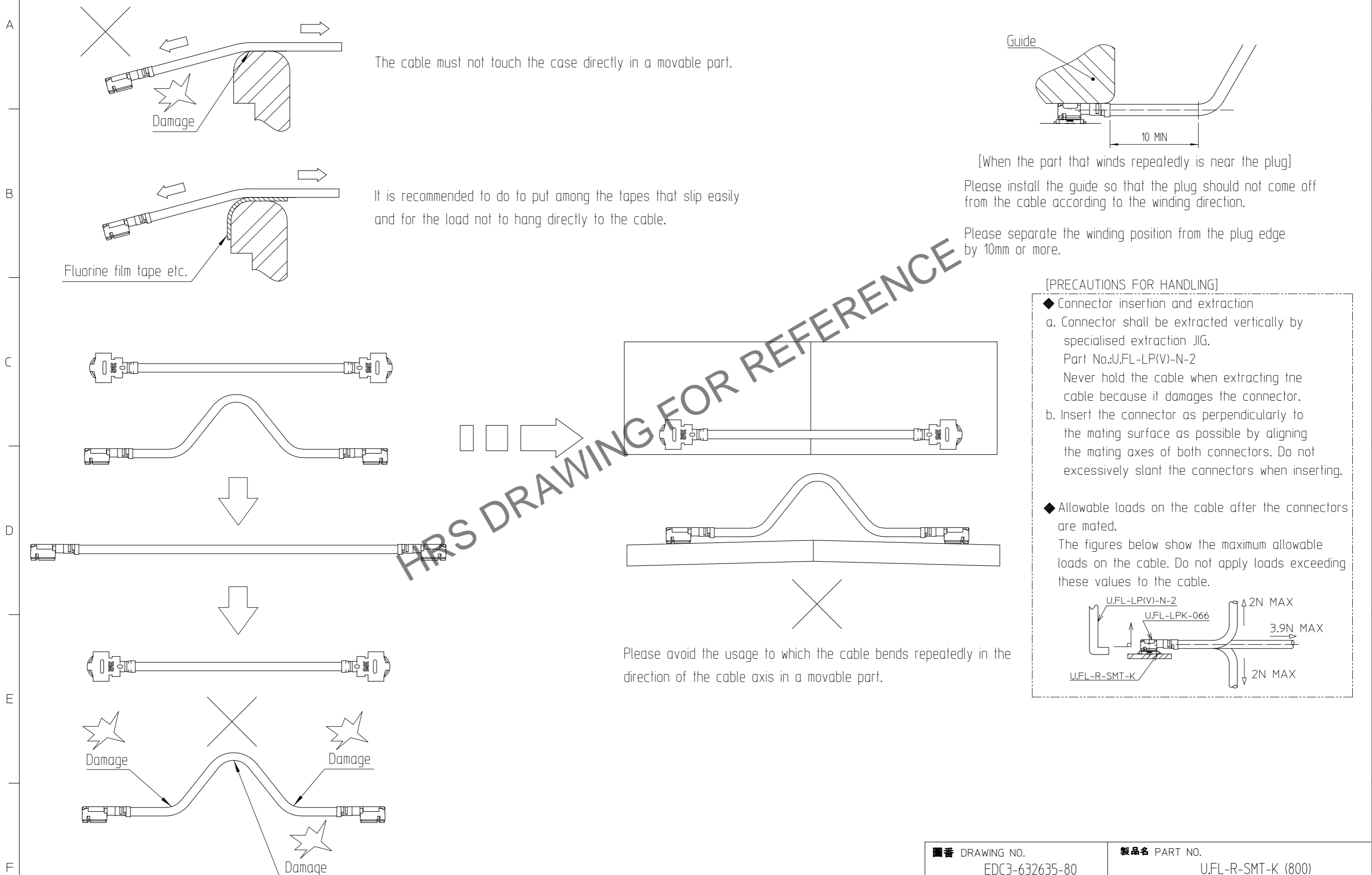
5. ENVIRONMENTAL CONDITIONS

DO NOT USE THE PRODUCTS UNDER THE ENVIRONMENTAL CONDITION AS SHOWN BELOW DUE TO POSSIBLE DETERIORATION OF PRODUCTS.
SPECIAL GAS ATOMOSPHERE (HYDROGEN SULFIDE GAS, SULFUR SULFIDE GAS AND HYDROGEN CHLORIDE GAS)
PLACE ATTENTION REQUIRED: HEATING SYSTEM, AREA NEAR HOT SPRING, VOLCANIC MOUNTAIN AND ALIKE.
WATER SPLACHED AND CONDENSATION PLACES.
PLACE ATTENTION REQUIRED: HARSH TEMPERATURE CHANGE.

△3	LCP	UL 94V-0			
1	PHOSPHOR BRONZE	GOLD PLATING	△2	BRASS	GOLD PLATING
NO.	MATERIAL	FINISH . MARKS	NO.	MATERIAL	FINISH . MARKS
備考 REMARKS			製圖 DRAWN	擔當 DESIGNED	檢圖 CHECKED
			H.G PARK	H.G PARK	D.G KIM
			19.04.17	19.04.17	19.04.17
			承認 APPROVED	承認 APPROVED	出圖 RELEASED
			H.S KIM	H.S KIM	ENG
					23.05.18
					DEPT
舊製品 CODE NO. (OLD)	圖番 DRAWING NO. EDC3-632635-80		製品名 PART NO. U.FL-R-SMT-K (800)		
	單位 UNITS mm		製品 CODE NO. CL 6327-0362-5-800		
	HRS HIROSE KOREA CO.,LTD.		1/2		

Jan.1.2025 Copyright 2025 HIROSE ELECTRIC CO., LTD. All Rights Reserved.
In case of consideration for using Automotive equipment / device which demand high reliability, kindly contact our sales window correspondents.

[Attention when wiring for U.FL-2LPK-066 harness]



番 DRAWING NO. EDC3-632635-80	製品名 PART NO. U.FL-R-SMT-K (800)
HRS HIROSE KOREA CO.,LTD.	製品 CODE NO. CL 6327-0362-5-800