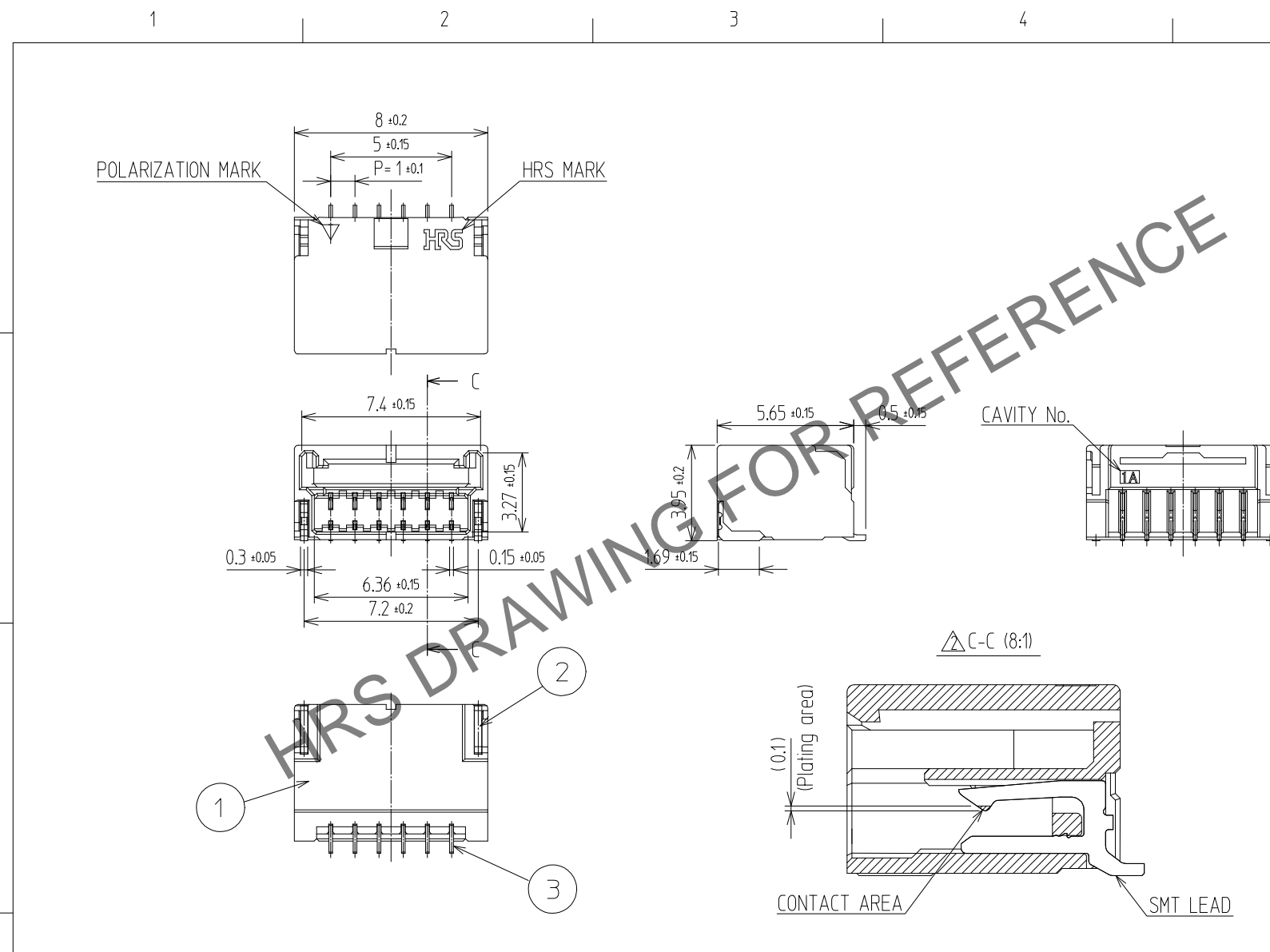
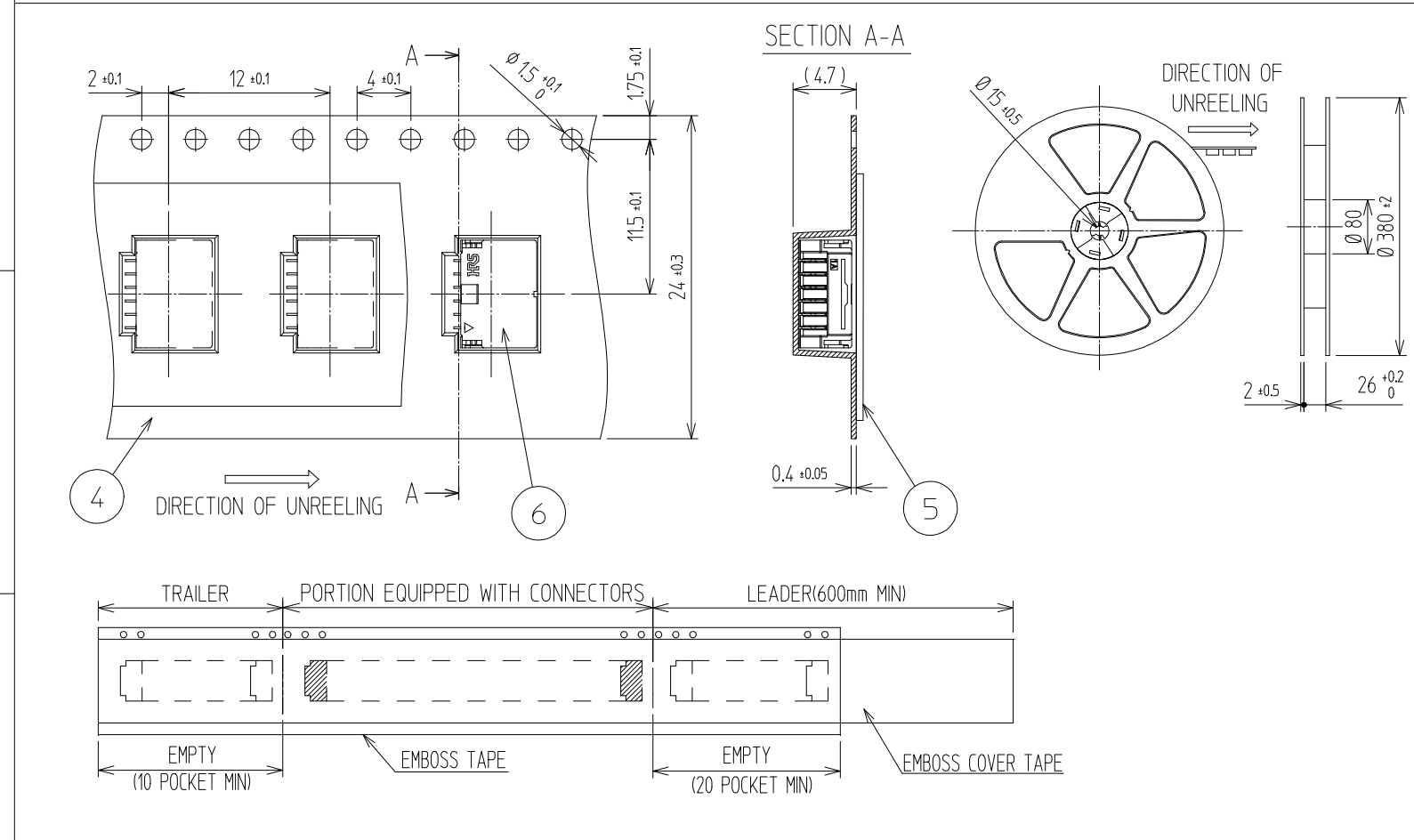
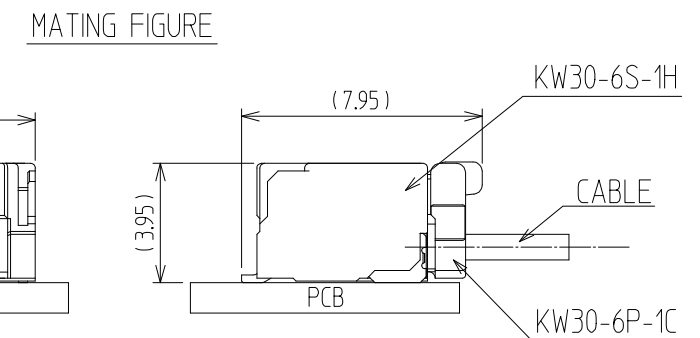
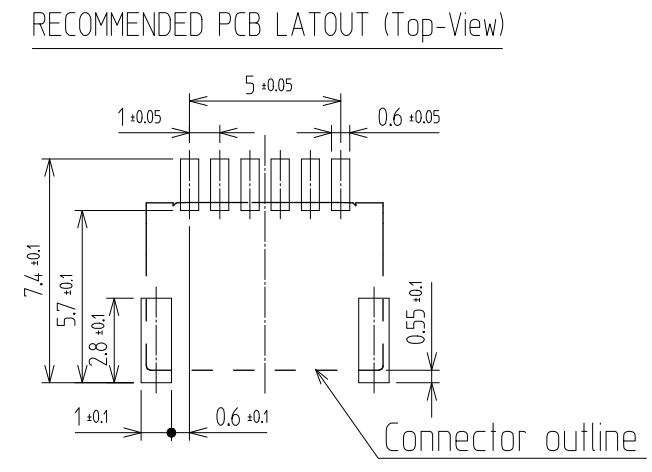


Aug.1.2024 Copyright 2024 HIROSE ELECTRIC CO., LTD. All Rights Reserved.  
In case of consideration for using Automotive equipment / device which demand high reliability, kindly contact our sales window



△數 COUNT	訂正事項 DISCRIPTION OF REVISIONS	擔當 B Y	檢圖 CHKD	年月日 DATE	△數 COUNT	訂正事項 DISCRIPTION OF REVISIONS	擔當 B Y	檢圖 CHKD	年月日 DATE
①	1 RE-6-2951	S.J.H	L.S.M	23, 05, 31	△				
②	1 RE-6-3374	C.H.S	L.S.M	23, 11, 28	△				
△					△				



NOTE

- LEAD CO-PLANARITY SHALL BE 0.1mmMAX
- 1REEL : 1,500EA CONNECTORS
- UL(File No. E132750) AUTHORIZATION ARTICLE.  
C-UL(File No. E132750) AUTHORIZATION ARTICLE.



3	COPPER ALLOY	CONTACT AREA : GOLD 0.76µm MIN. SMT LEAD : GOLD 0.05µm MIN. △UNDER PLATING : NICKEL 1.27µm MIN.	6	CONNECTOR	KW30-6S-1H
2	PHOSPHOR BRONZE	Sn PLATED	5	PET	COVER TAPE
1	LCP	UL94-V0, BLACK	4	PS	EMBOSS CARRIER TAPE
NO.	MATERIAL	FINISH,REMARKS	NO.	MATERIAL	FINISH,REMARKS

CODE NO. (OLD)		DRAWN	DESIGNED	CHECKED	APPROVED	RELEASED
		SHIN 21.08.27 J.H	SHIN 21.08.27 J.H	LIM 21.08.27 S.M	LIM 21.08.27 S.M	
SCALE 4:1 mm	DRAWING NO. EDC3-632848	PART NO. KW30-6S-1H (805)				
HRS HIROSE KOREA CO.,LTD.		CODE NO. CL 6669-0001-3-805		1/1		