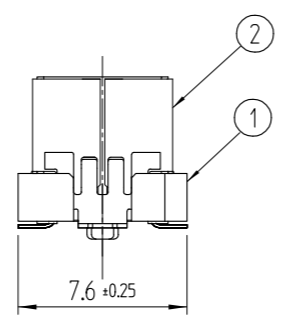
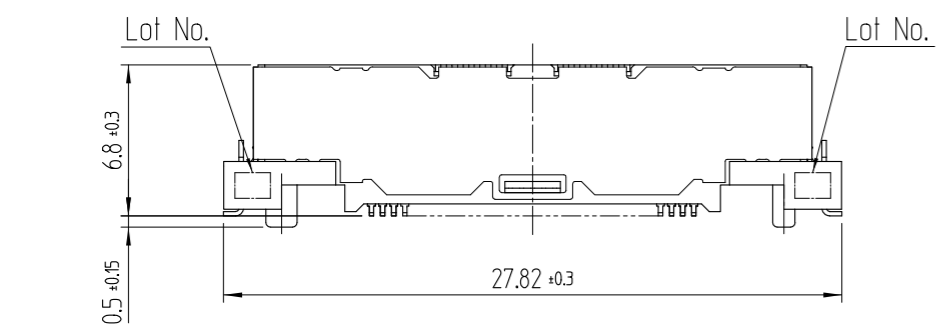
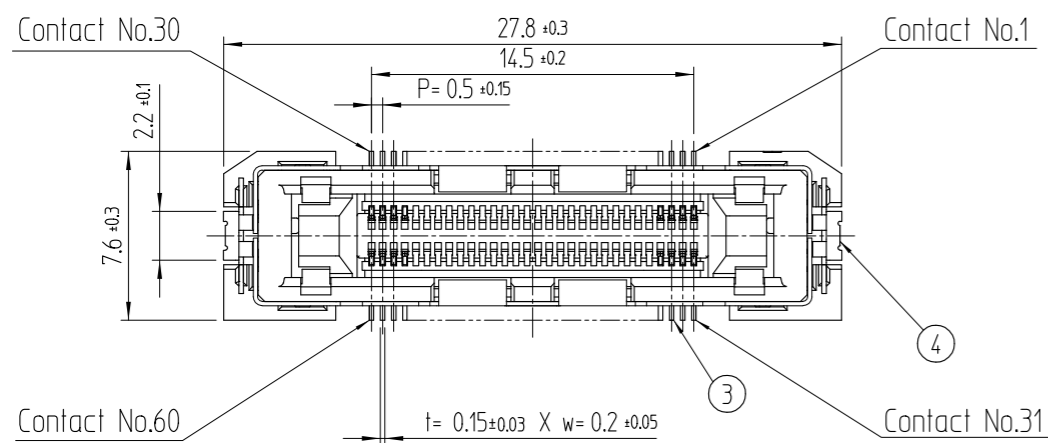


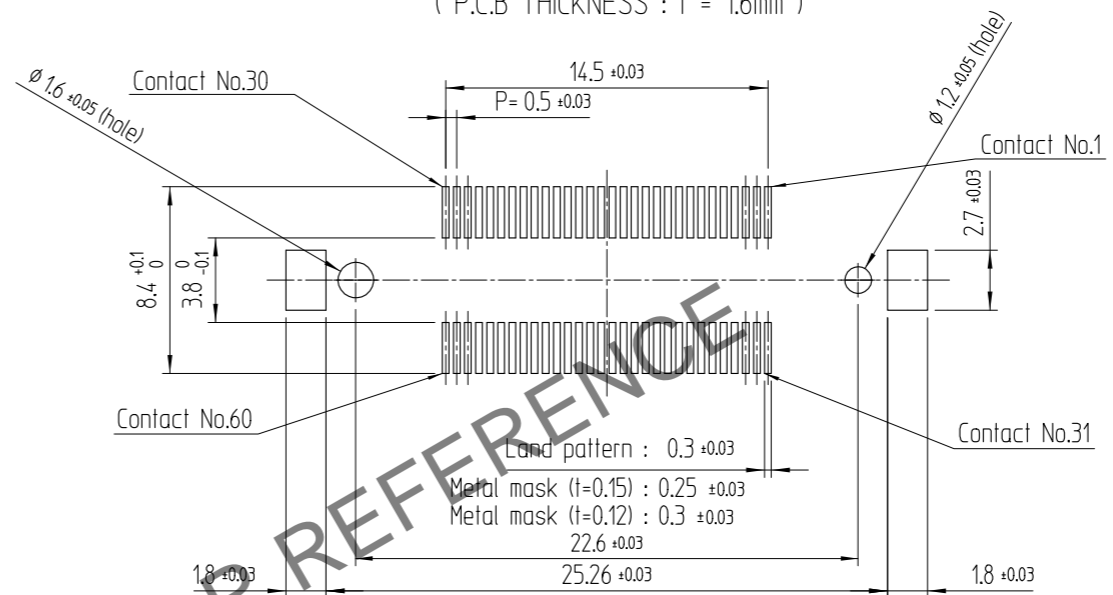
Aug.1.2024 Copyright 2024 HIROSE ELECTRIC CO., LTD. All Rights Reserved.
In case of consideration for using Automotive equipment / device which demand high reliability, kindly contact our sales window correspondents.

△數 COUNT	訂正事項 DESCRIPTION OF REVISIONS	擔當 B Y	檢圖 CHKD	年月日 DATE	△數 COUNT	訂正事項 DESCRIPTION OF REVISIONS	擔當 B Y	檢圖 CHKD	年月日 DATE
△					△				
△					△				
△					△				

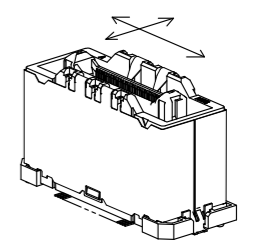
REFERENCE DRAWING



RECOMMENDED LAND PATTERN DIMENSION OF P.C.B
(P.C.B THICKNESS : t = 1.6mm)

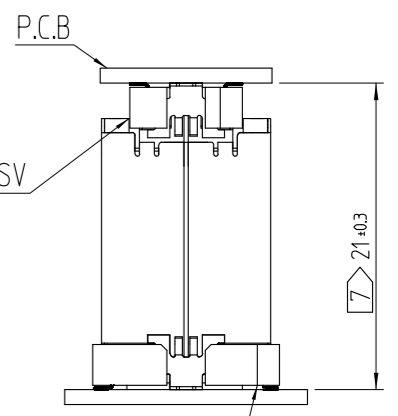


FLOATING ±0.8mm



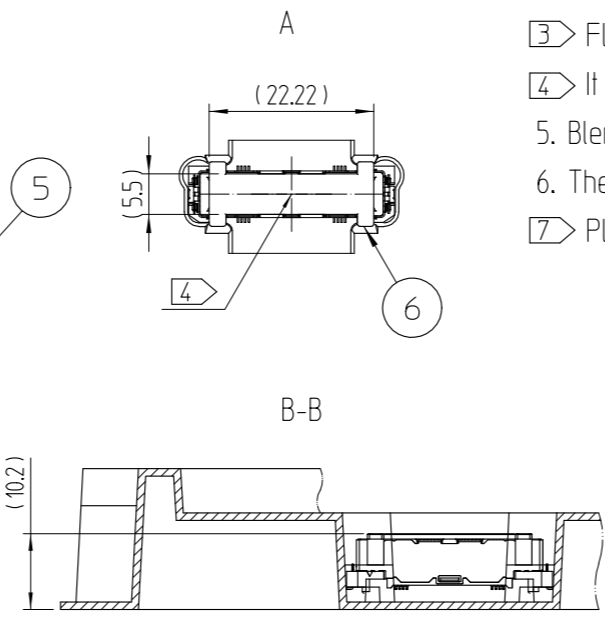
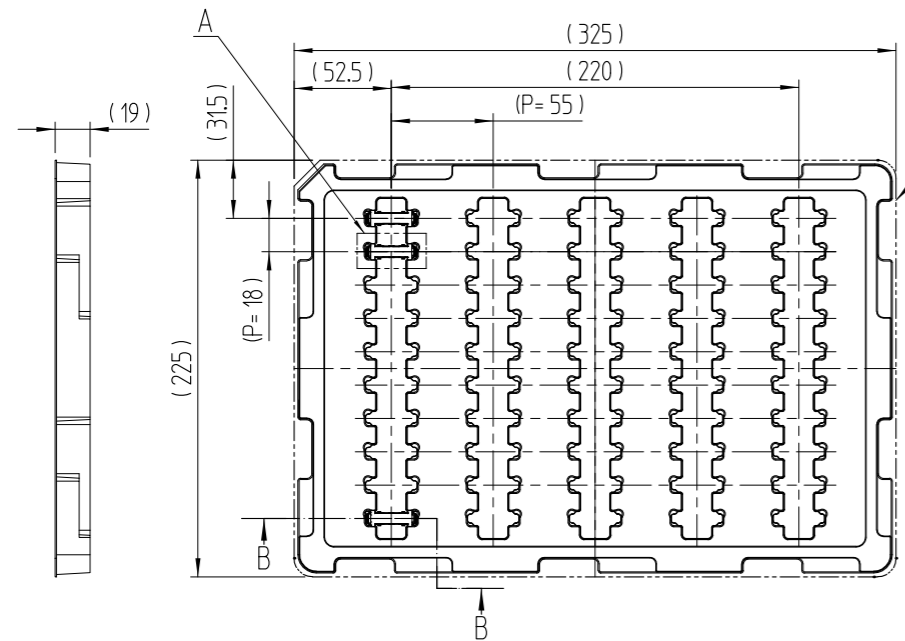
KP27F-60P-0.5SV21

P.C.B DISTANCE



KP27F-60P-0.5SV21
(Mating connector)

DRAWING FOR PACKING (No scale)



- Lead co-planarity is 0.10mm MAX.
- This is packaged in tray. (50pcs/tray)
- Floating range of this connector is ±0.8mm MAX.
- It shows the vacuum pickup area. Remove the CAP before mating connectors.
- Blemish and hit mark can be occurred through out the manufacturing process which doesn't affect quality level.
- The dimensions in parentheses are for references.
- Please use the connectors within the specified PCB distance.

3	CONTACT	COPPER ALLOY	NiP + AuP (CONTACT, SMT AREA)	6	CAP	PA	(CAP FOR VACUUM PICKUP)	
2	SHIELD	COPPER ALLOY	NiP	5	TRAY	POLYSTYRENE	(TRAY)	
1	CASE	LCP	BLACK / UL94-0	4	METAL HOLD DOWN	COPPER ALLOY	NiP+SnP	
NO.	PART	MATERIAL	FINISH,REMARKS	NO.	PART	MATERIAL	FINISH,REMARKS	
TITLE				DRAWN	DESIGNED	CHECKED	APPROVED	RELEASED
				J.H.PARK	J.H.PARK	W.S.YOON	B.H.AN	ENG
				19.08.23	19.08.23	19.08.23	19.08.23	19.08.23
DRAWING NO. EDC3-632364				PART NO. KP27F-60S-0.5SV(800)				1/1
SCALE 2:1				CODE NO. 6547-0006-1-800				
UNITS mm				HIROSE KOREA CO.,LTD.				