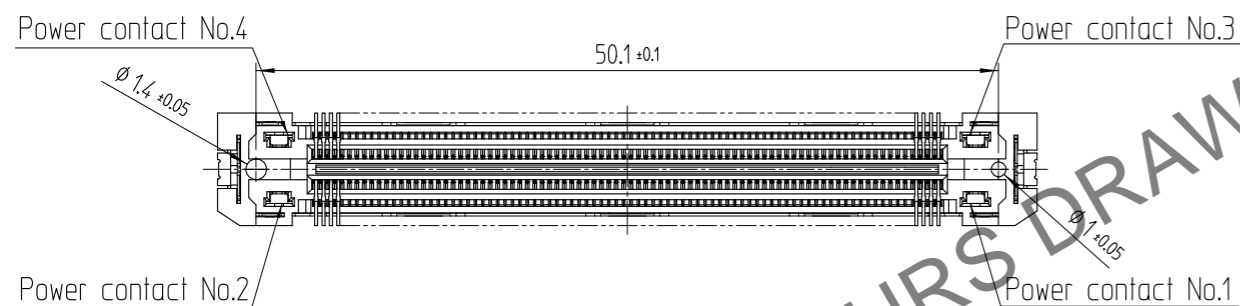
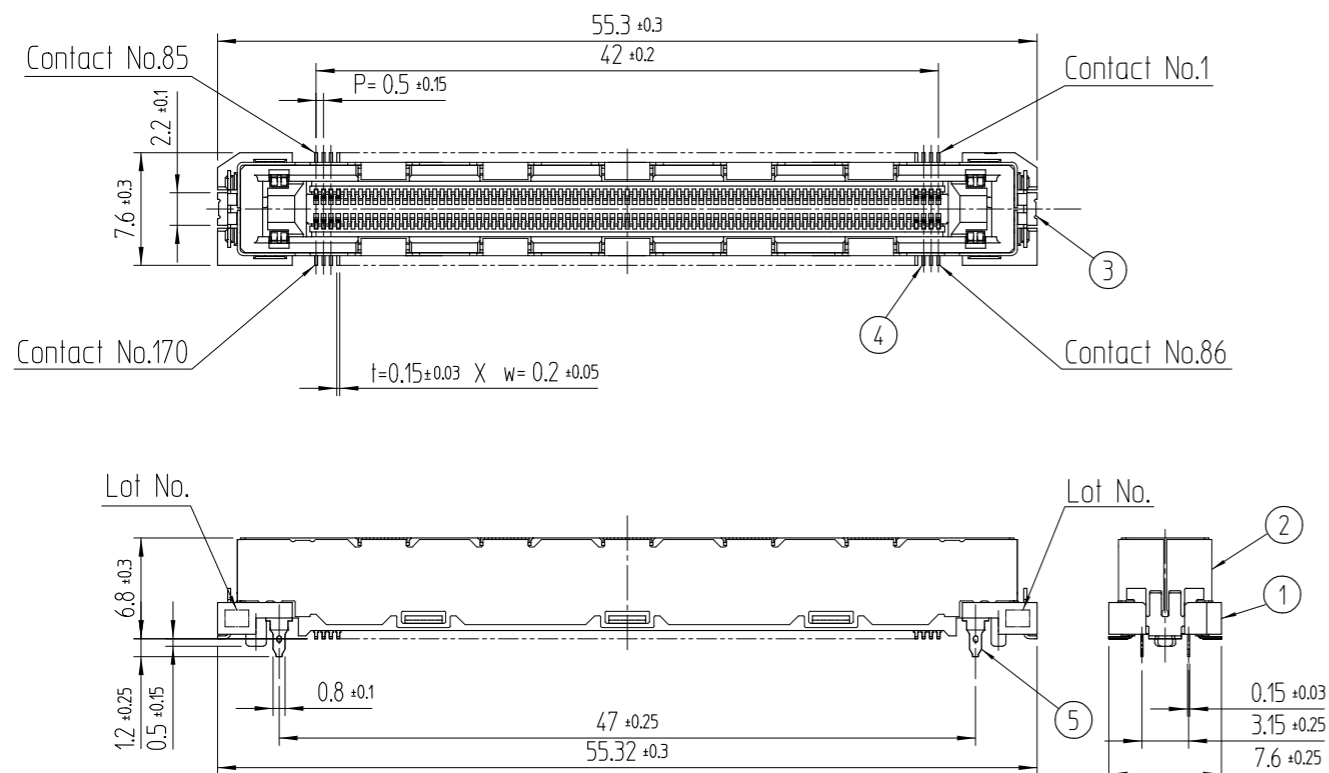
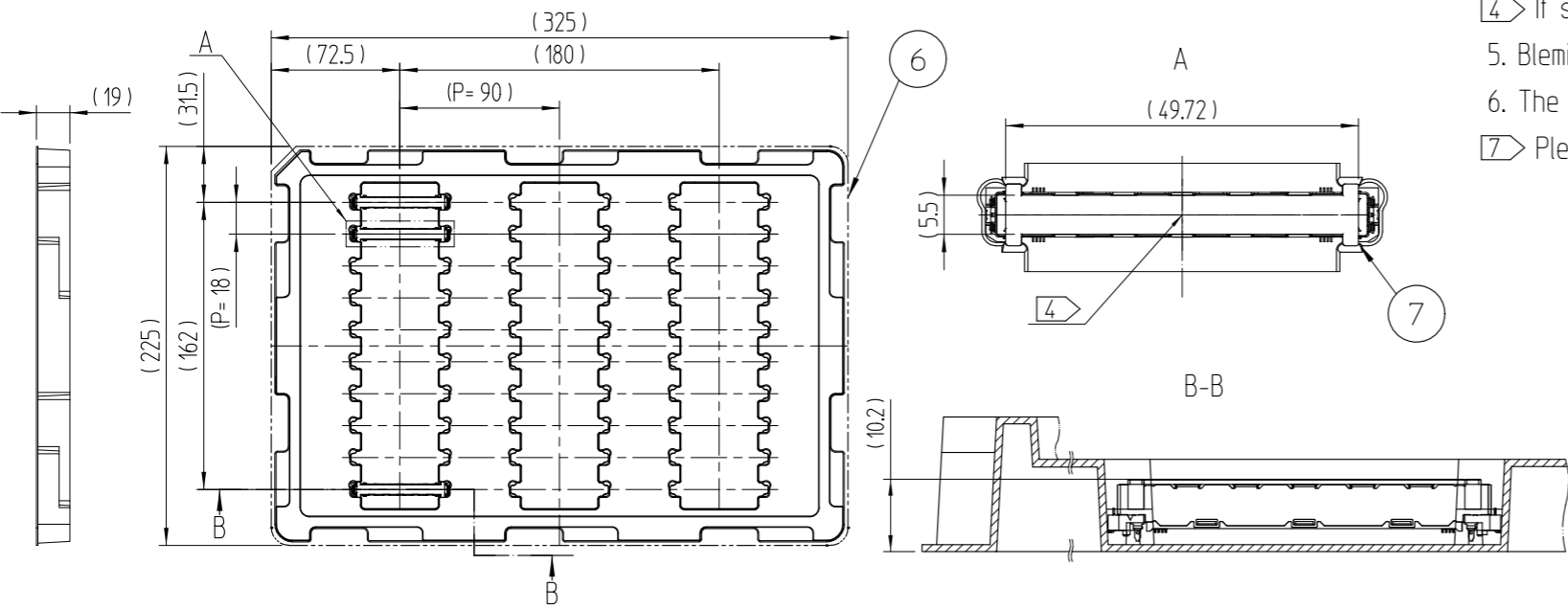


Nov.1.2024 Copyright 2024 HIROSE ELECTRIC CO., LTD. All Rights Reserved.
In case of consideration for using Automotive equipment / device which demand high reliability, kindly contact our sales window correspondents.

REFERENCE DRAWING



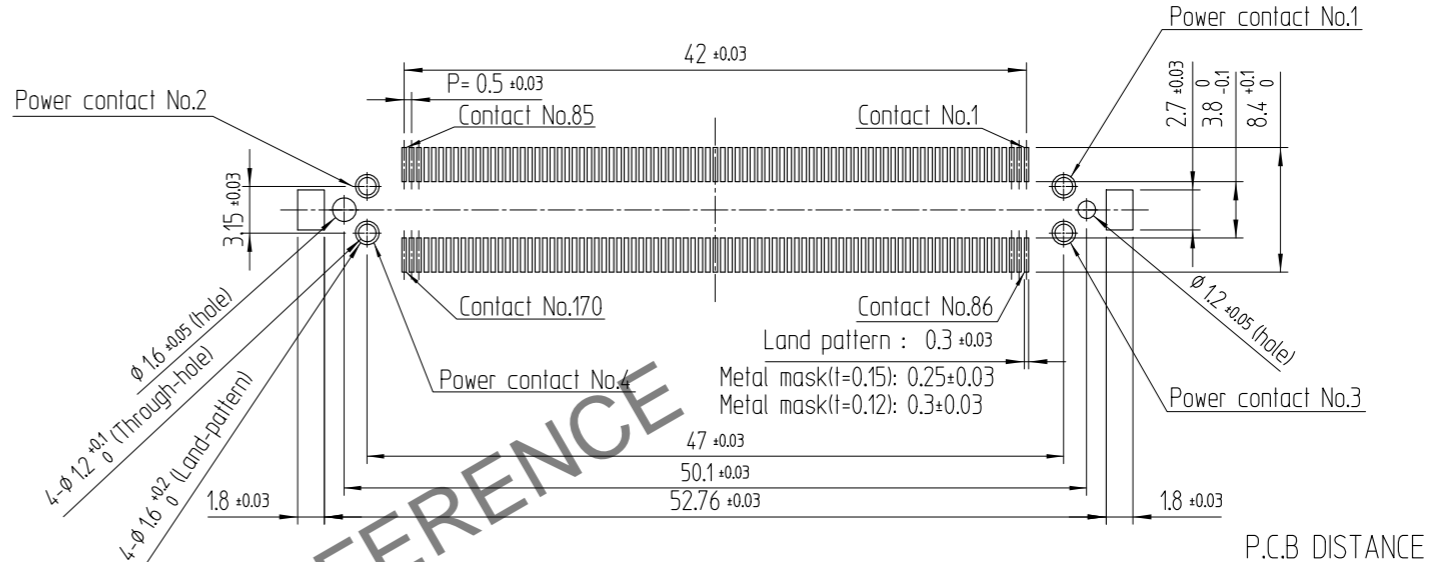
② DRAWING FOR PACKING(No scale)



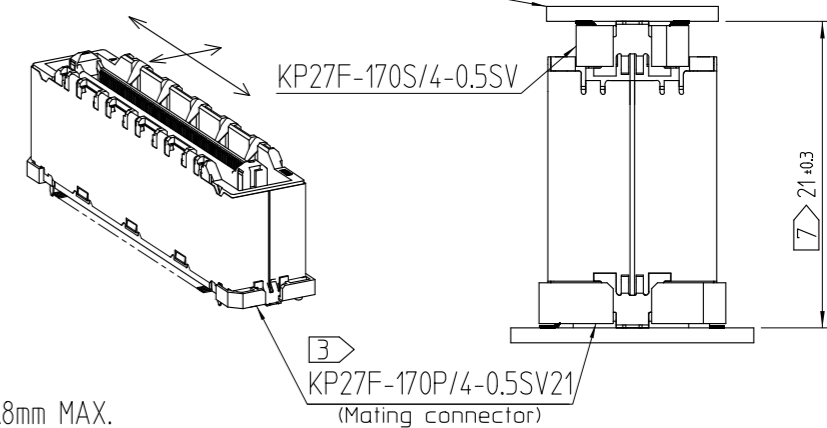
△數 COUNT	訂正事項 DESCRIPTION OF REVISIONS	擔當 B Y	檢圖 CHKD	年月日 DATE	△數 COUNT	訂正事項 DESCRIPTION OF REVISIONS	擔當 B Y	檢圖 CHKD	年月日 DATE
△					△				
△					△				
△					△				

RECOMMENDED LAND PATTERN DIMENSION OF P.C.B

(P.C.B THICKNESS : t = 1.6mm)



③ FLOATING ±0.8mm



- Lead co-planarity is 0.10mm MAX.
- This is packaged in tray. (30pcs/tray)
- Floating range of this connector is ±0.8mm MAX.
- It shows the vacuum pickup area. Remove the CAP before mating connectors.
- Blemish and hit mark can be occurred through out the manufacturing process which doesn't affect quality level.
- The dimensions in parentheses are for references.
- Please use the connectors within the specified PCB distance.

3	METAL HOLD DOWN	COPPER ALLOY	NiP+SnP	7	CAP	PA	(CAP FOR VACUUM PICKUP)
2	SHIELD	COPPER ALLOY	NiP	6	TRAY	POLYSTYRENE	(TRAY)
1	CASE(A)	LCP	BLACK / UL94-0	5	MF CONTACT	COPPER ALLOY	NiP+AuP(SMT, CONTACT AREA)
				4	CONTACT	COPPER ALLOY	NiP+AuP(SMT, CONTACT AREA)
NO.	PART	MATERIAL	FINISH,REMARKS	NO.	PART	MATERIAL	FINISH,REMARKS

TITLE	DRAWN	DESIGNED	CHECKED	APPROVED	RELEASED
	J.H.PARK 19.08.23	J.H.PARK 19.08.23	W.S.YOON 19.08.23	B.H.AN 19.08.23	ENG 20.04.01 DEPT

SCALE 2:1	DRAWING NO. EDC3-632773	PART NO. KP27F-170S/4-0.5SV(800)
UNITS mm	HIROSE KOREA CO.,LTD.	CODE NO 6547-0012-4-800