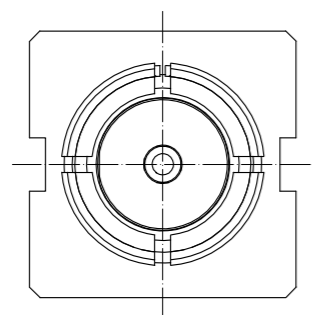


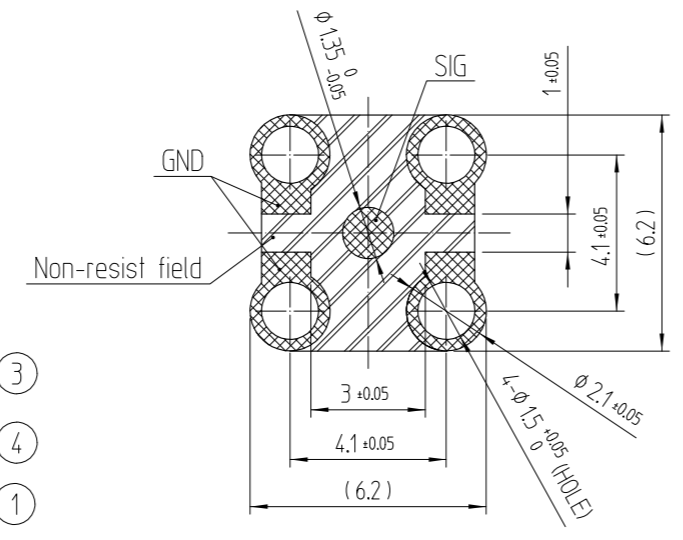
Jan.1.2025 Copyright 2025 HIROSE ELECTRIC CO., LTD. All Rights Reserved.
In case of consideration for using Automotive equipment / device which demand high reliability, kindly contact our sales window correspondents.

1 2 3 4 5 6 7 8

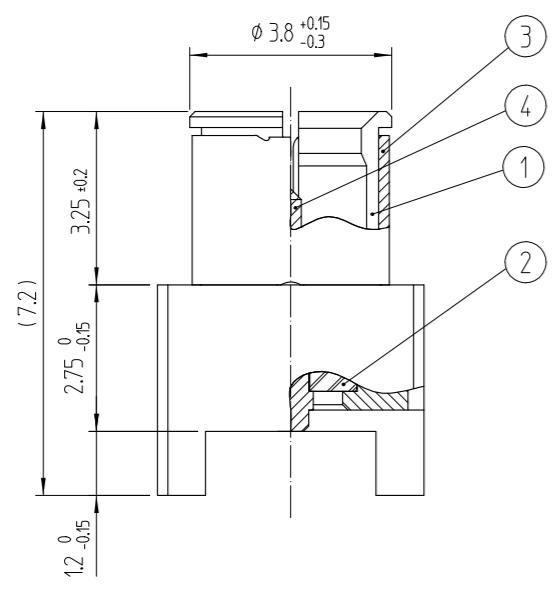
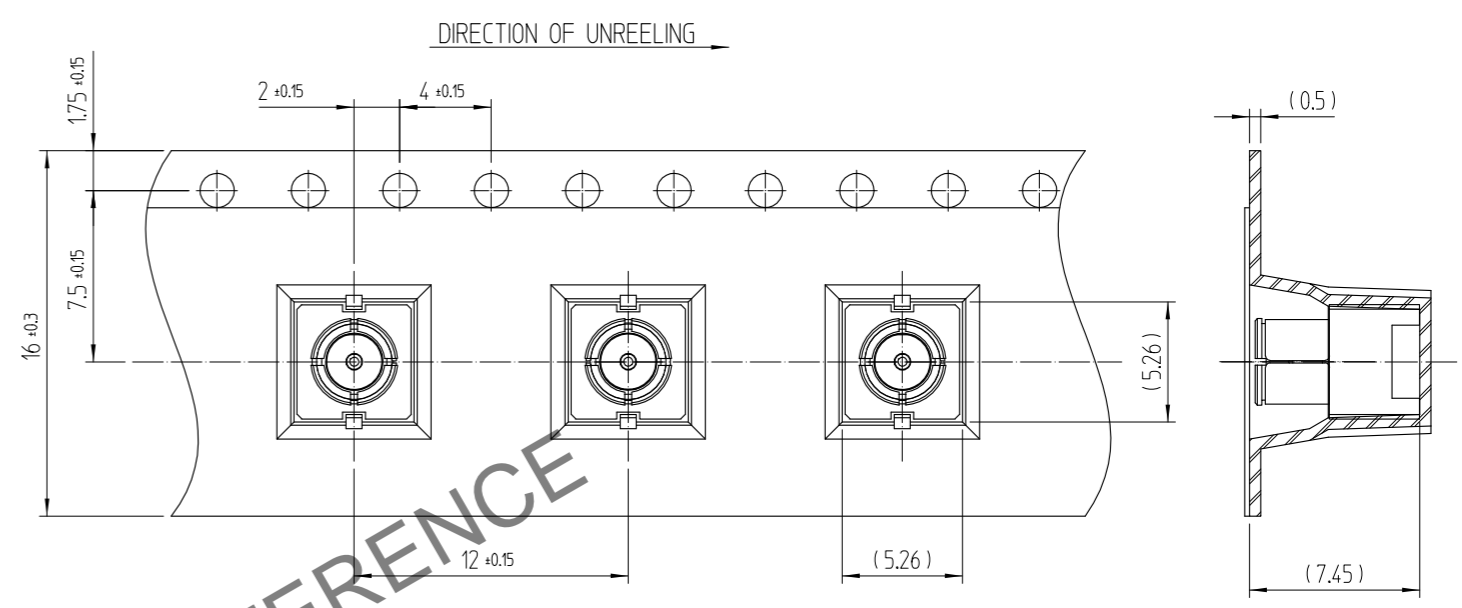
| △數 COUNT | 訂正事項 DESCRIPTION OF REVISIONS | 擔當 B | 檢圖 Y | 年月日 DATE | △數 COUNT | 訂正事項 DESCRIPTION OF REVISIONS | 擔當 B | 檢圖 Y | 年月日 DATE |
|-------------|----------------------------------|---------|---------|-------------|-------------|----------------------------------|---------|---------|-------------|
| △ | | | | | △ | | | | |
| △ | | | | | △ | | | | |
| △ | | | | | △ | | | | |



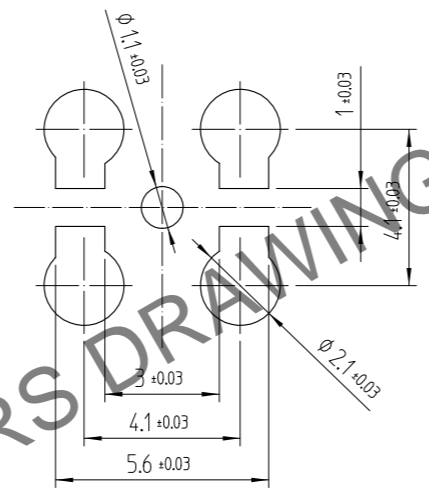
RECOMMENDED PC BOARD PATTERN DRAWING(5:1)



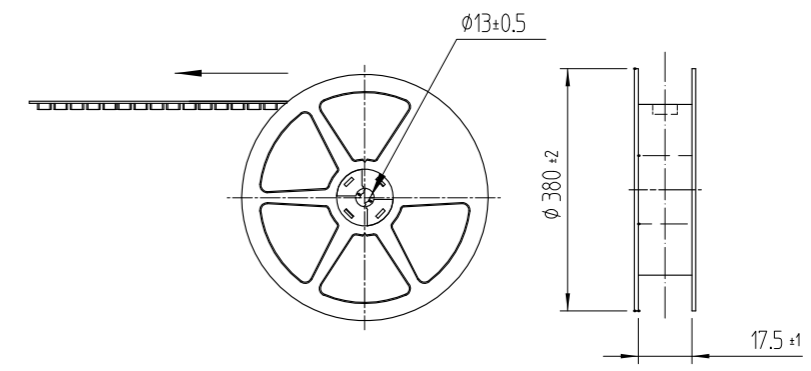
EMBOSSED TAPING DRAWING(3:1)



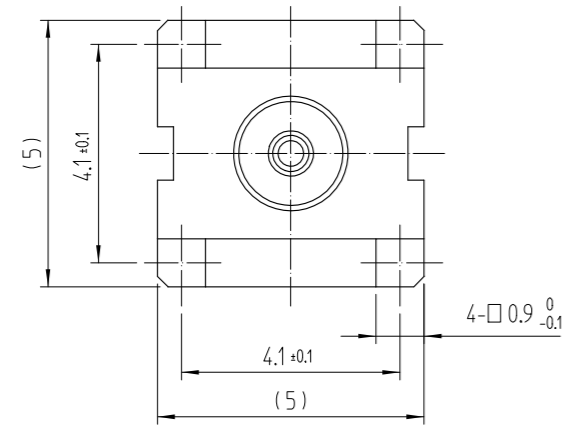
RECOMMENDED METAL MASK DRAWING(5:1)
[METAL MASK THICKNESS: t = 0.1]



REEL DRAWING(SCALE : FREE)



MATERIAL: PS(WHITE)



NOTES:

- 1 : THE QUANTITY OF POK16-PR-PC IS 1,000 CONNECTORS PER REEL.
- 2 : LEAD CO-PLANARITY SHALL BE 0.1MAX.
- 3 : FOR THE POSSIBILITY OF BREAKAGE OR DEFORMATION.
DO NOT MATE THES CONNECTOR WITH PARTNER, POK16-R-PC BEFORE MOUNTING ON PC BOARD.
- 4 : USE ALL PRODUCTS WITHIN 6 MONTHS AFTER THE DELIVERY.
STORE THEM IN MANUFACTURER'S PACKAGE OR TIGHTLY RE-CLOSED BOX WITH THE FOLLOWING CONDITIONS, CHECK THE TERMINAL SOLDERABILITY BEFORE USE IF THE PRODUCT HAS BEEN STORED FOR MORE THAN 6 MONTHS.

TEMPERATURE : -10°C TO +50°C
HUMIDITY : 15 TO 85% RH.

| | | | | | |
|-----------------------------|------------------|----------------|--------------------------------|----------------------|-------------------------|
| 3 | BERYLLIUM COPPER | NICKEL PLATING | 4 | COPPER | GOLD PLATING |
| 1 | COPPER | GOLD PLATING | 2 | LCP | (COLOR : BLACK) |
| NO. | MATERIAL | FINISH,REMARKS | NO. | MATERIAL | FINISH,REMARKS |
| CODE NO. (OLD) | | | DRAWN | DESIGNED | CHECKED |
| | | | H.G.PARK 20.05.26 | H.G.PARK 20.05.26 | D.G.KIM 20.05.26 |
| | | | | | APPROVED |
| | | | | | H.S.KIM 20.05.26 |
| | | | | | RELEASED |
| | | | | | ENG 20.05.26 DEPT |
| DRAWING NO. EDC3-633114 | | | PART NO. POK16-PR-PC(800) | | |
| SCALE 7:1 UNITS mm | | | CODE NO. CL 6341-0017-3-800 | | |
| HRS HIROSE KOREA CO.,LTD. | | | 1/1 | | |

1 2 3 4 5 6 7 8