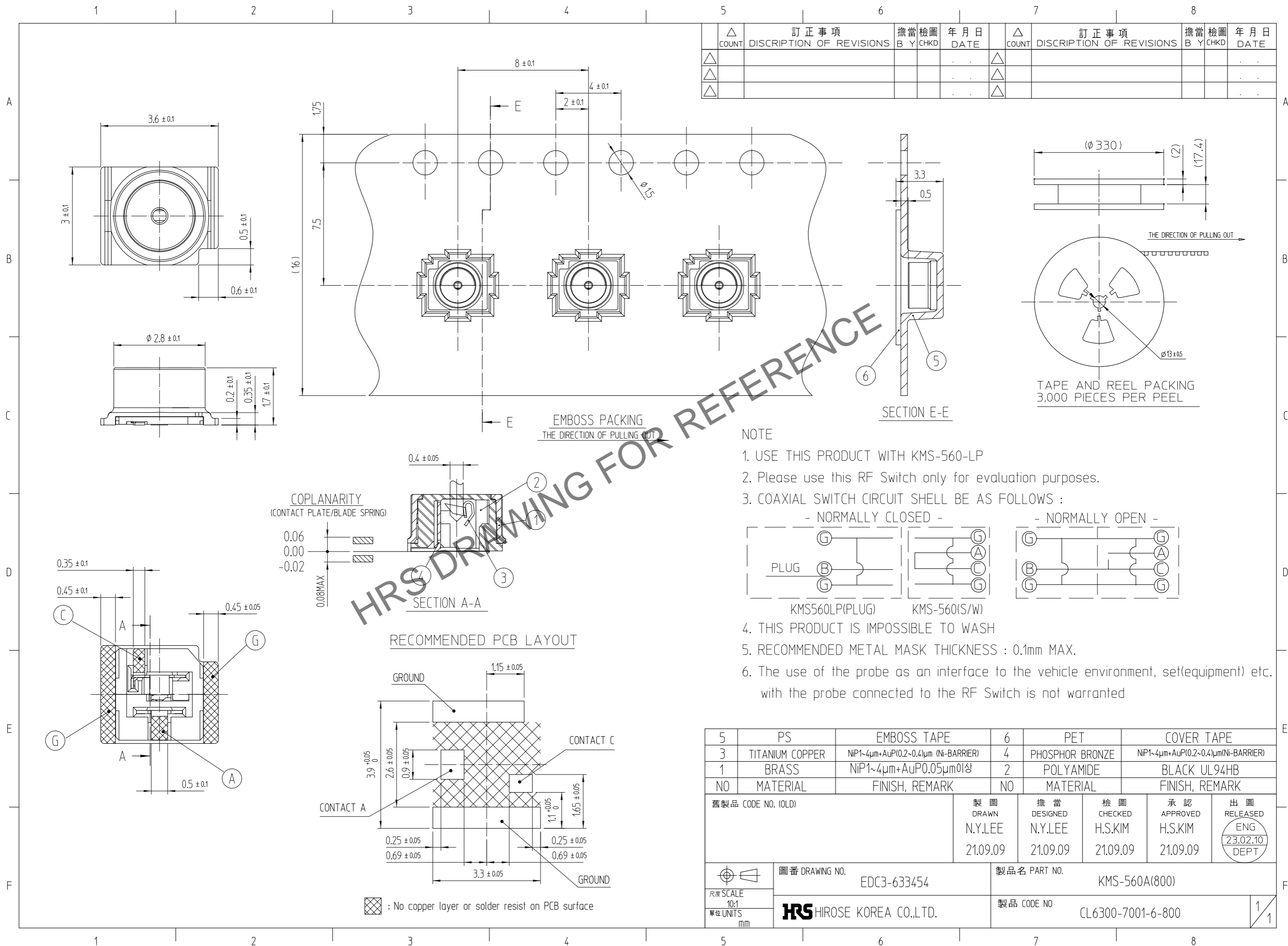


Apr.1.2024 Copyright 2024 HIROSE ELECTRIC CO., LTD. All Rights Reserved.  
In case of consideration for using Automotive equipment / device which demand high reliability, kindly contact our sales window correspondents.



△ COUNT	訂正事項 DISCUSSION OF REVISIONS	擔當 B	檢圖 CHKD	年月日 DATE	△ COUNT	訂正事項 DISCUSSION OF REVISIONS	擔當 B	檢圖 CHKD	年月日 DATE
△					△				
△					△				
△					△				

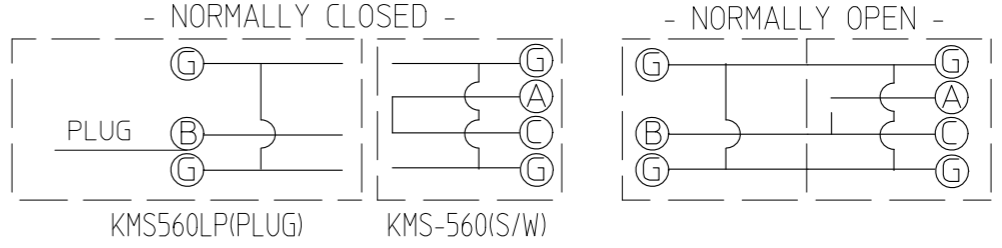
EMBOSS PACKING  
THE DIRECTION OF PULLING OUT

SECTION E-E

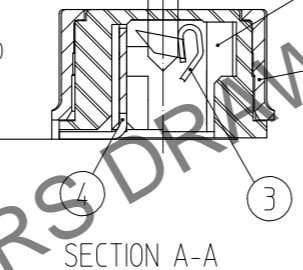
TAPE AND REEL PACKING  
3,000 PIECES PER PEEL

NOTE

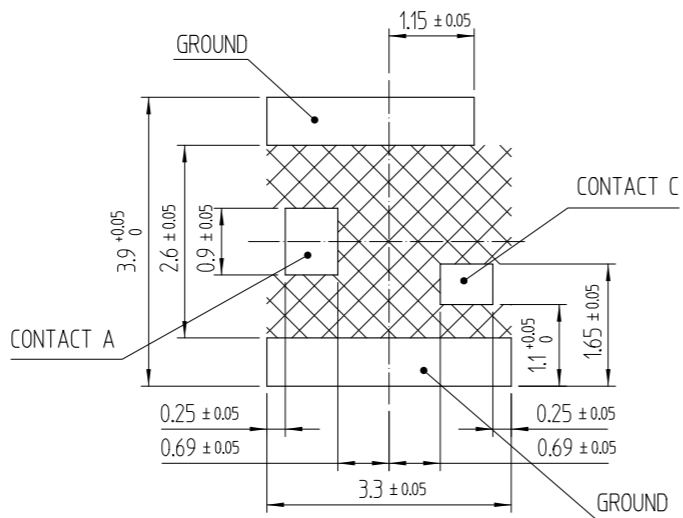
- USE THIS PRODUCT WITH KMS-560-LP
- Please use this RF Switch only for evaluation purposes.
- COAXIAL SWITCH CIRCUIT SHELL BE AS FOLLOWS :  
- NORMALLY CLOSED -  
- NORMALLY OPEN -
- THIS PRODUCT IS IMPOSSIBLE TO WASH
- RECOMMENDED METAL MASK THICKNESS : 0.1mm MAX.
- The use of the probe as an interface to the vehicle environment, set(equipment) etc. with the probe connected to the RF Switch is not warranted



COPLANARITY  
(CONTACT PLATE/BLADE SPRING)



RECOMMENDED PCB LAYOUT



☒ : No copper layer or solder resist on PCB surface

NO	MATERIAL	FINISH, REMARK	NO	MATERIAL	FINISH, REMARK
5	PS	EMBOSS TAPE	6	PET	COVER TAPE
3	TITANIUM COPPER	NiP1~4µm+AuP(0.2~0.4)µm (Ni-BARRIER)	4	PHOSPHOR BRONZE	NiP1~4µm+AuP(0.2~0.4)µm(Ni-BARRIER)
1	BRASS	NiP1~4µm+AuP0.05µm이상	2	POLYAMIDE	BLACK UL94HB

舊製品 CODE NO. (OLD)	製圖 DRAWN	擔當 DESIGNED	檢圖 CHECKED	承認 APPROVED	出圖 RELEASED
	N.Y.LEE	N.Y.LEE	H.S.KIM	H.S.KIM	ENG 23.02.10 DEPT
	21.09.09	21.09.09	21.09.09	21.09.09	

圖番 DRAWING NO.	製品名 PART NO.
EDC3-633454	KMS-560A(800)
製品 CODE NO	製品 CODE NO
CL6300-7001-6-800	CL6300-7001-6-800

尺度 SCALE  
10:1  
單位 UNITS  
mm

HIROSE KOREA CO.,LTD.

1/1