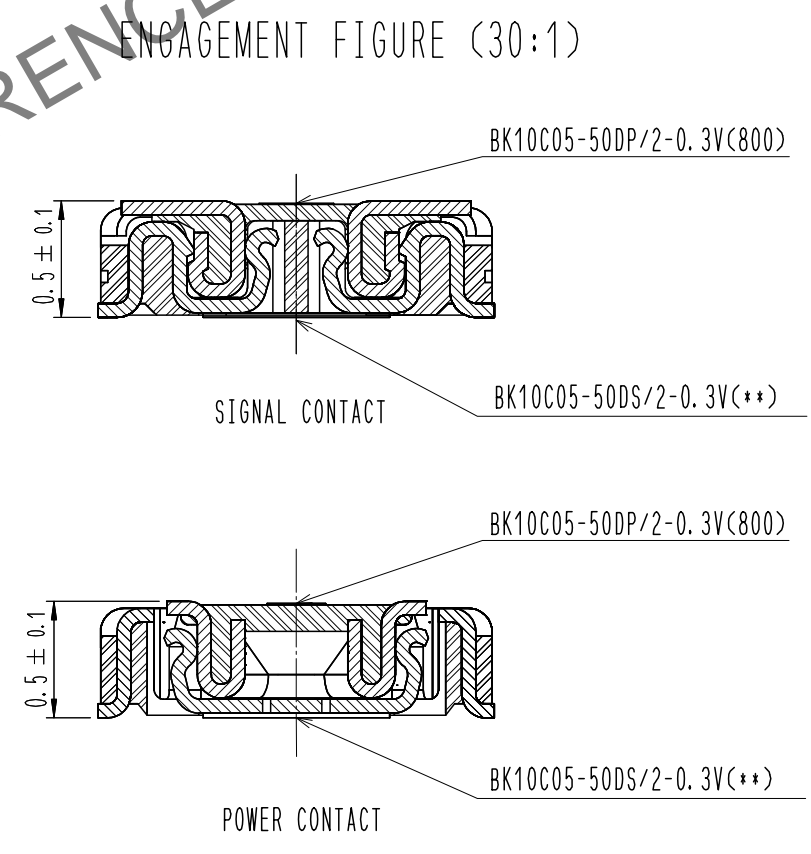
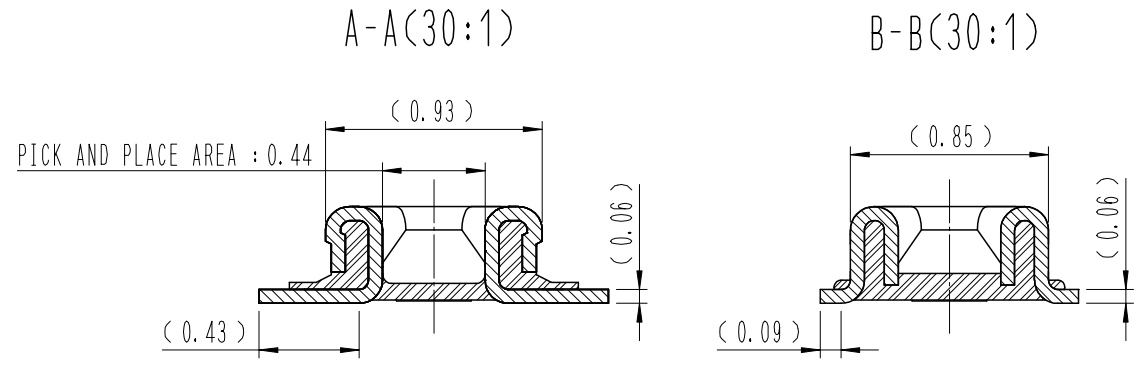
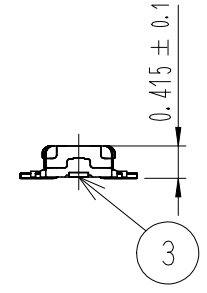
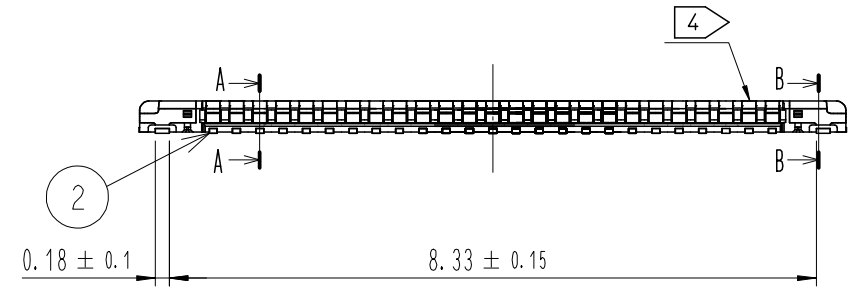
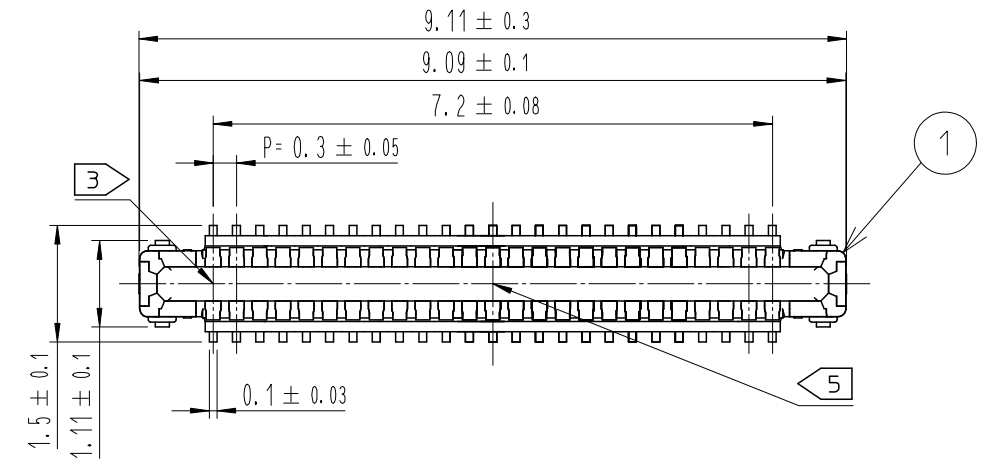


Dec.1.2024 Copyright 2024 HIROSE ELECTRIC CO., LTD. All Rights Reserved.
In case of consideration for using Automotive equipment / device which demand high reliability, kindly contact our sales window correspondents.

COUNT	DESCRIPTION OF REVISIONS	B	Y	CHKD	DATE	COUNT	DESCRIPTION OF REVISIONS	B	Y	CHKD	DATE
△ 1	RE-6-3439			JDW	JHW	24.01.18					
△											
△											



DRAWING FOR REFERENCE
This is subject to change without notice

- NOTE 1 . ALL LEAD CO-PLANARITY SHALL BE 0.08mm MAX.
- △ 1 △ 2 CONTACT PLATING SPECIFICATIONS
 CONTACT AREA : GOLD 0.05 μm MIN
 SMT LEAD : GOLD 0.05 μm MIN
 (NO GOLD PLATING IS ACCEPTABLE EXCEPT CONTACT POINTS AND SMT LEADS)
 UNDERPLATING : NICKEL 1 μm MIN
 (SURFACE : SEALING)
- △ 3 CAV NO. ARE INDICATED IN APPROX POSITION SHOWN.
- △ 4 A PART OF THE WALL COULD BE NOTCHED
- △ 5 DENT EXISTS IN THE INDICATED AREA FOR MANUFACTURING CONVENIENCE.

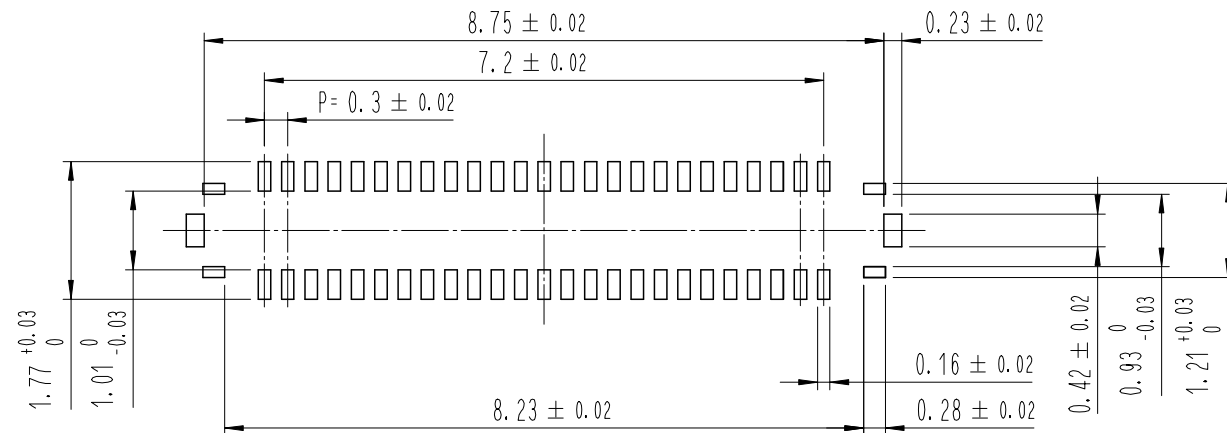
NO.	MATERIAL	FINISH , REMARKS	NO.	MATERIAL	FINISH , REMARKS
4	PS	CLEAR (EMBOSSED CARRIER TAPE)			
3	COPPER ALLOY	△ 2			
2	COPPER ALLOY	△ 2	6	PS	BLACK (PLASTIC REEL)
1	LCP	UL94 V-0, BLACK	5	POLYESTER	CLEAR (COVER TAPE)

REMARKS	DRAWN	DESIGNED	CHECKED	APPROVED	RELEASED
	S. H. PARK 22.11.30	S. H. PARK 22.11.30	Y. J. LEE 22.11.30	H. W. JO 22.11.30	22.11.30

CODE NO. (OLD)	DRAWING NO. EDC3-633583-80	PART NO. BK10C05-50DP/2-0.3V(800)
SCALE 10:1	HRS HIROSE KOREA CO., LTD.	CODE NO. CL 6666-0063-1-800
UNITS mm		1/3

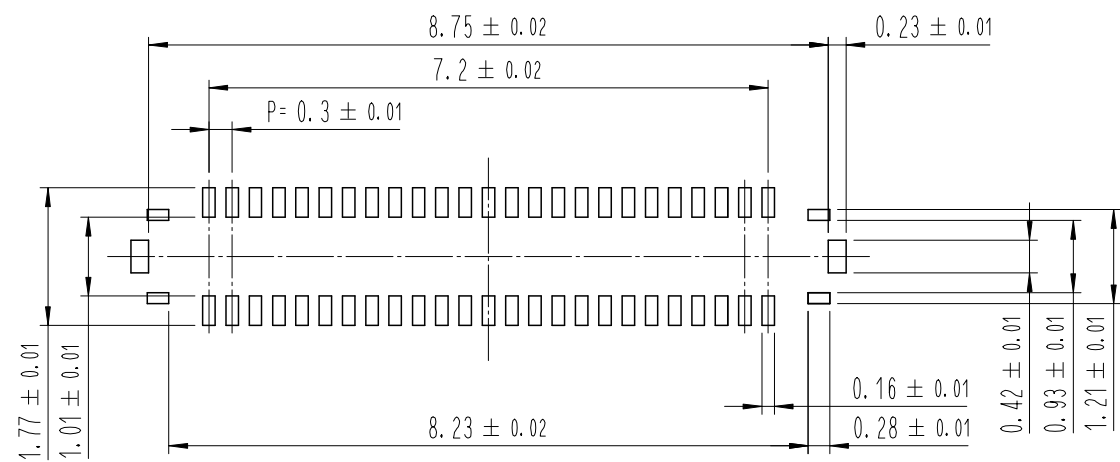
Dec.1.2024 Copyright 2024 HIROSE ELECTRIC CO., LTD. All Rights Reserved.
In case of consideration for using Automotive equipment / device which demand high reliability, kindly contact our sales window correspondents.

7 RECOMMENDED PCB LAYOUT

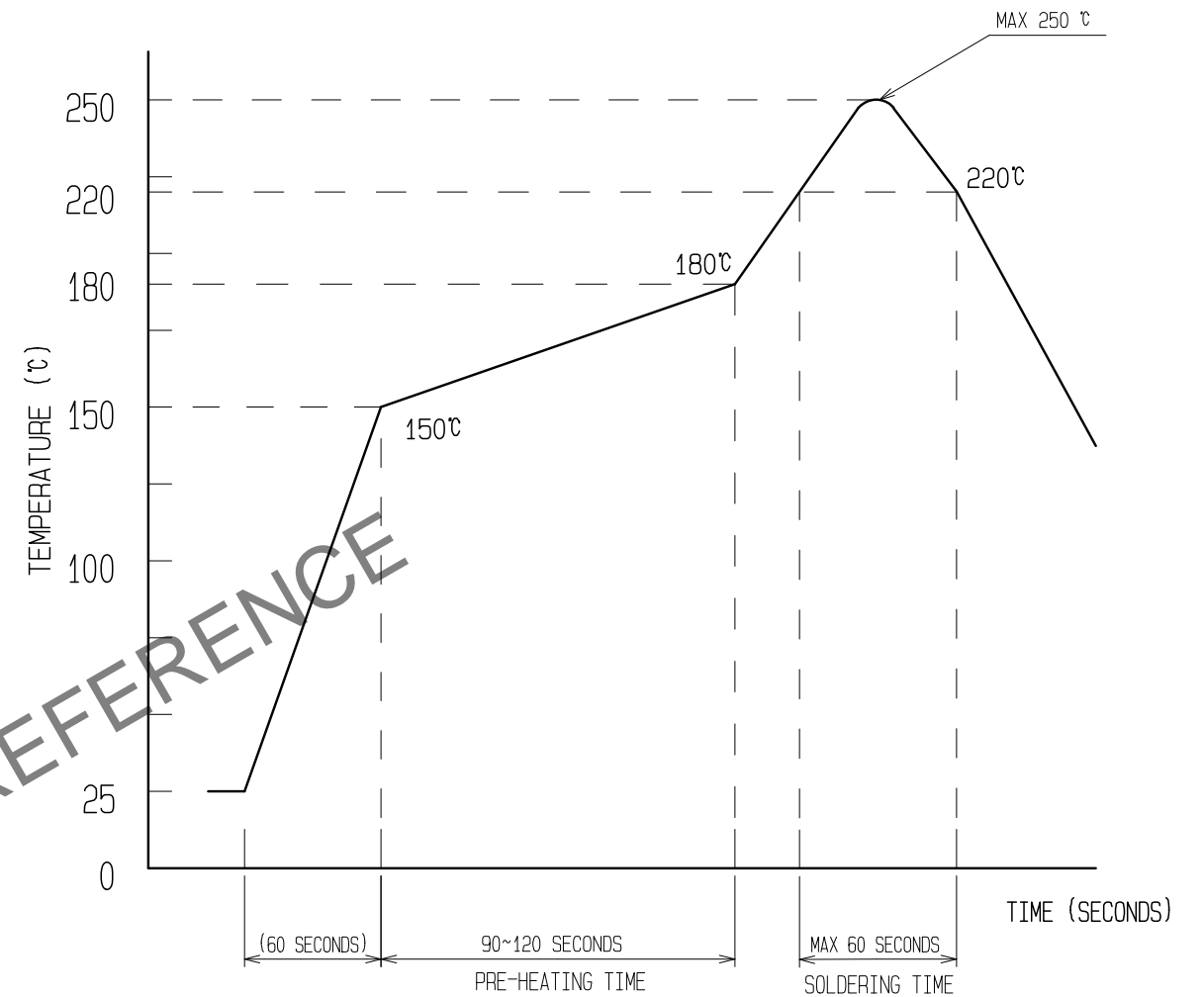


RECOMMENDED METAL MASK DIMENSIONS

MATAL MASK THICKNESS : 80 μm



6 RECOMMENDED REFLOW TEMPERATURE PROFILE USING LEAD-FREE SOLDER PASTE.



REFLOW METHOD : N₂ REFLOW
NUMBER OF REFLOW CYCLES : 2 CYCLES MAX.
1) REFLOW TIME
DURATION ABOVE 220°C, 60 SEC MAX.
(PEAK TEMPERATURE : 250°C MAX)
2) PRE-HEAT TIME
PRE-HEAT TEMPERATURE(MIN): 150°C
PRE-HEAT TEMPERATURE(MAX): 180°C
PRE-HEAT TIME: 90-120 SEC.

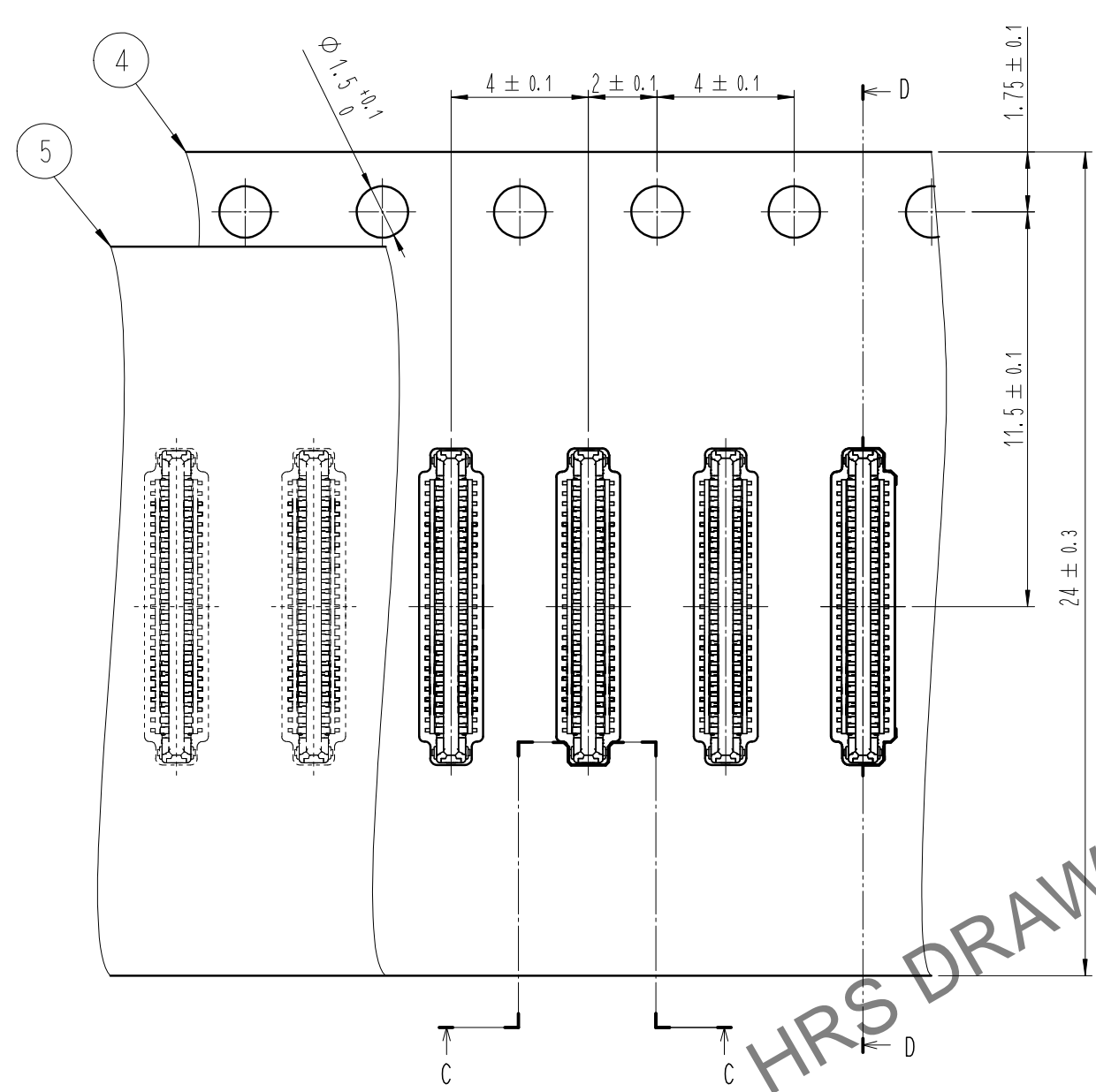
- 6 THIS TEMPERATURE PROFILE IS PER THE CONDITIONS SHOWN ABOVE. ADDITIONAL FACTORS SUCH AS SOLDER PASTE TYPE, PCB SIZE AND OTHER MOUNTED COMPONENTS COULD AFFECT THE PROFILE. THEREFORE, A THOROUGH EVALUATION OF MOUNTING CONDITION IS REQUIRED PRIOR TO PRODUCTION. TEMPERATURE IS MEASURED AT CONTACT LEAD.
- 7 PLEASE CONTACT US IN CASE YOU WILL MAKE DIFFERENT SETTINGS FROM OUR RECOMMENDATION.
- 8 THIS PRODUCT SATISFIES HALOGEN FREE REQUIREMENTS DEFINED AS 900ppm MAXIMUM CHLORINE, 900ppm MAXIMUM BROMINE, AND 1500ppm MAXIMUM TOTAL OF CHLORINE AND BROMINE.
- 9 THIS PRODUCT COMPLY WITH RoHS.

DRAWING NO. SCALE UNITS	EDC3-633583-80	PART NO. BK10C05-50DP/2-0.3V(800)	CODE NO CL 6666-0063-1-800
	10:1		
HRS HIROSE KOREA CO., LTD.			

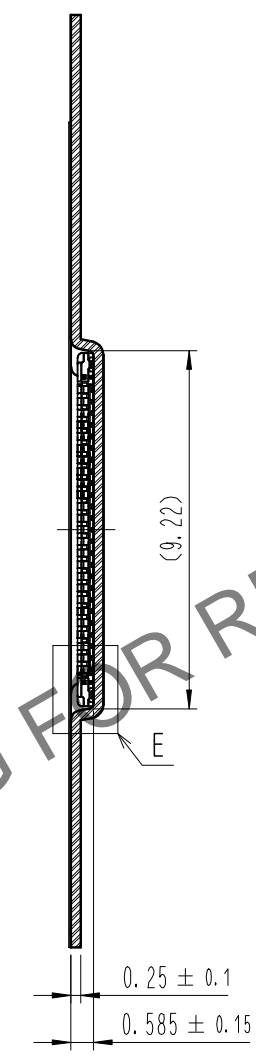
In case of consideration for using Automotive equipment / device which demand high reliability, kindly contact our sales window correspondents.

Dec.1.2024 Copyright 2024 HIROSE ELECTRIC CO., LTD. All Rights Reserved.

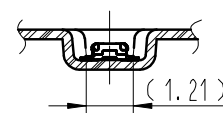
EMBOSSED CARRIER TAPE PACKAGING (5:1)



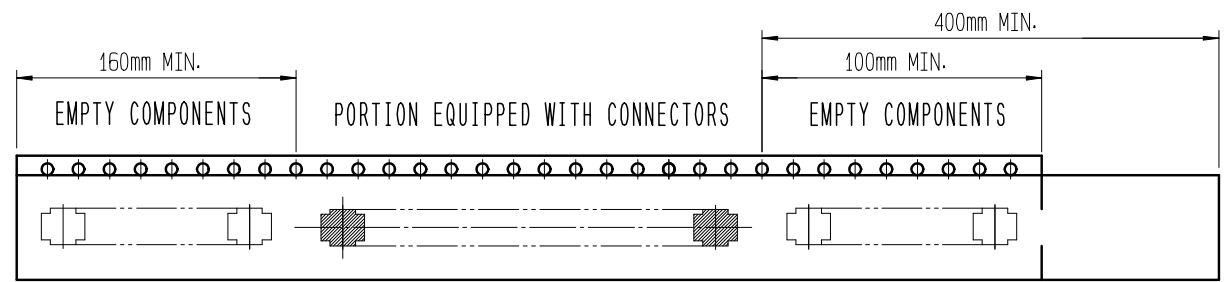
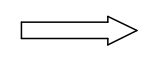
D-D (5:1)



C-C (5:1)

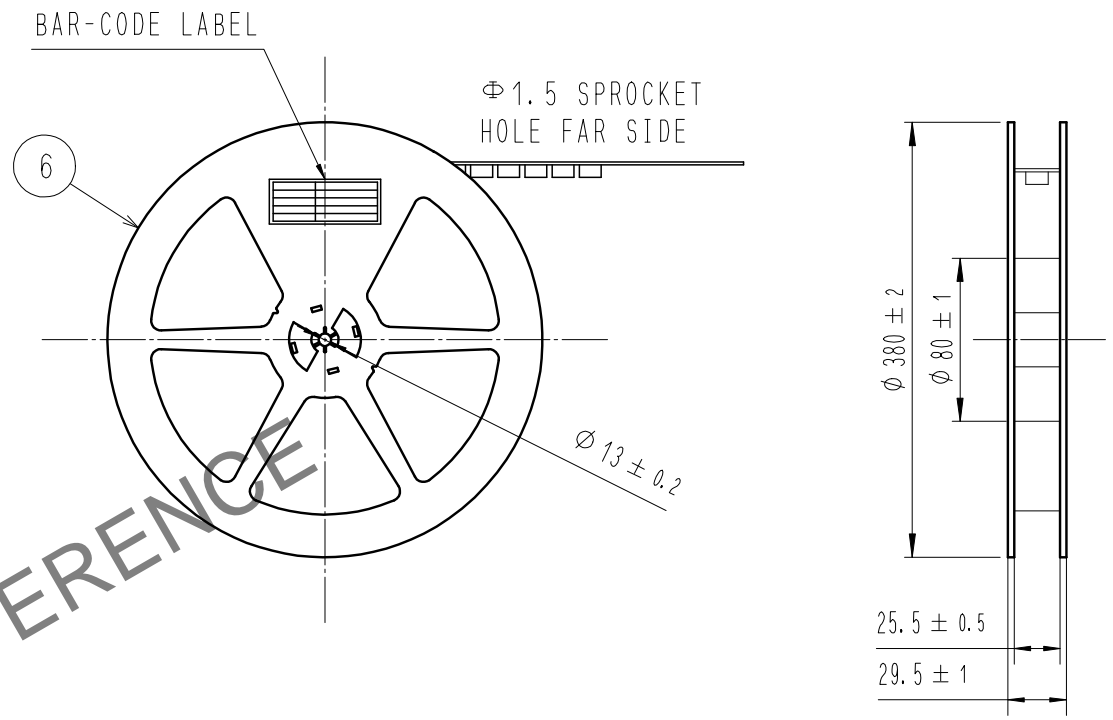


DIRECTION OF UNREELING

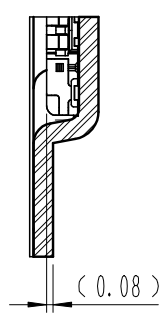


TAPING(FREE)

STYLE AND DIMENSION OF REEL (FREE)



E (10:1)



DETAIL OF PART NO. LABEL

SUPPLIER	HIROSE
QUANTITY	20,000
PART NO.	BK10C05-50DP/2-0.3V(800)
CODE NO.	CL 6666-0063-1-800
DATE OF MANUFACTURED	生産月日 年 月 日
箱番	** ** *
品名	BK10C05-50DP/2-0.3V(800)
納入数量	20,000個
納入者	HIROSE KOREA

- 10 . PER REEL 20,000 CONNECTORS.
- 11 . THE DIMENSIONS IN PARENTHESES ARE FOR REFERENCE.
- 12 > REFER TO JIS C 0806, IEC-60286-3 (PACKAGING OF COMPONENTS FOR AUTOMATIC HANDLING)

DRAWING NO. SCALE UNITS	EDC3-633583-80	PART NO. CODE NO.	BK10C05-50DP/2-0.3V(800)	3 3
	10:1		CL 6666-0063-1-800	
HRS HIROSE KOREA CO., LTD.				