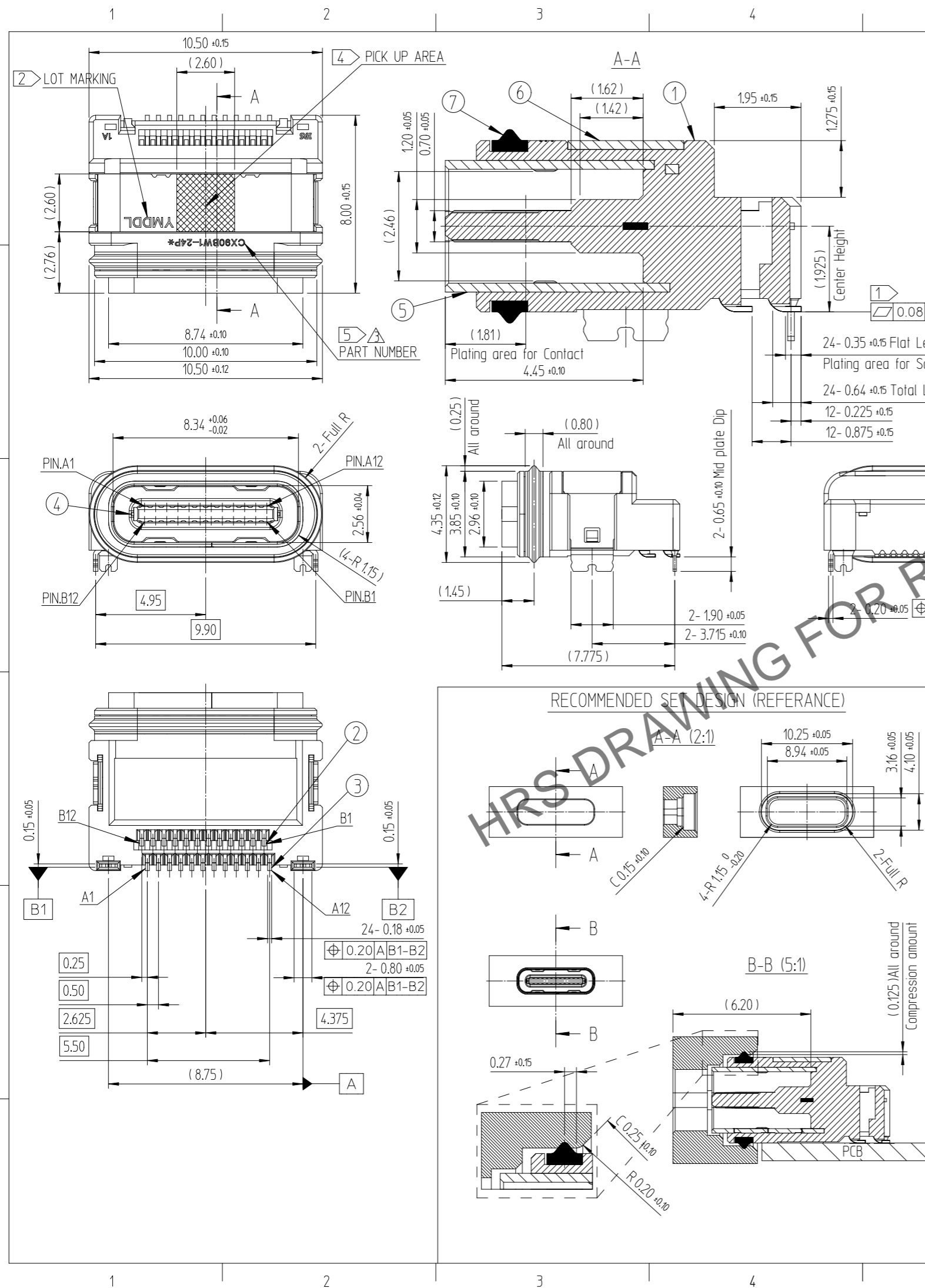


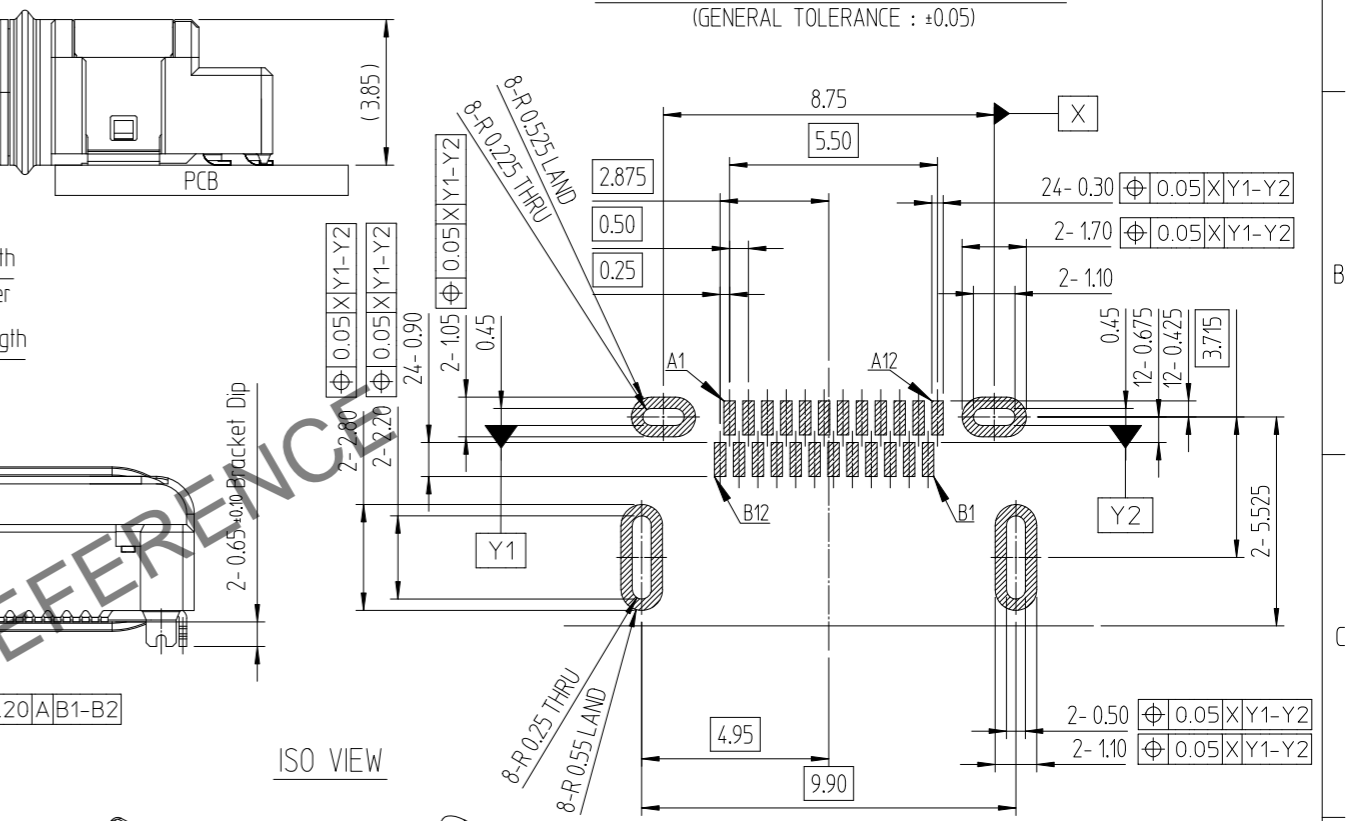
Dec.1.2024 Copyright 2024 HIROSE ELECTRIC CO., LTD. All Rights Reserved.
In case of consideration for using Automotive equipment / device which demand high reliability, kindly contact our sales window correspondents.



△數 COUNT	訂正事項 DESCRIPTION OF REVISIONS	擔當 BY	檢圖 CHKD	年月日 DATE	△數 COUNT	訂正事項 DESCRIPTION OF REVISIONS	擔當 BY	檢圖 CHKD	年月日 DATE
5	1 Released(RE-2-2440)	KYG	LHJ	23, 10, 26					
6	- EC(RE-2-2477)	KYG	LHJ	23, 12, 08					
7	1 EC(RE-2-2556)	OSW	LHJ	24, 05, 01					

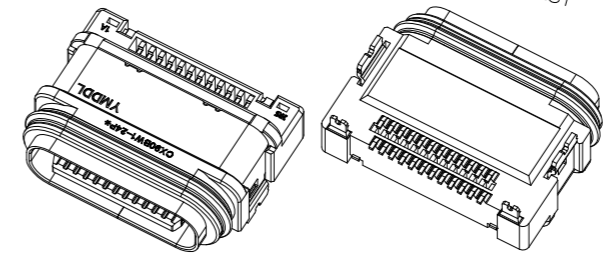
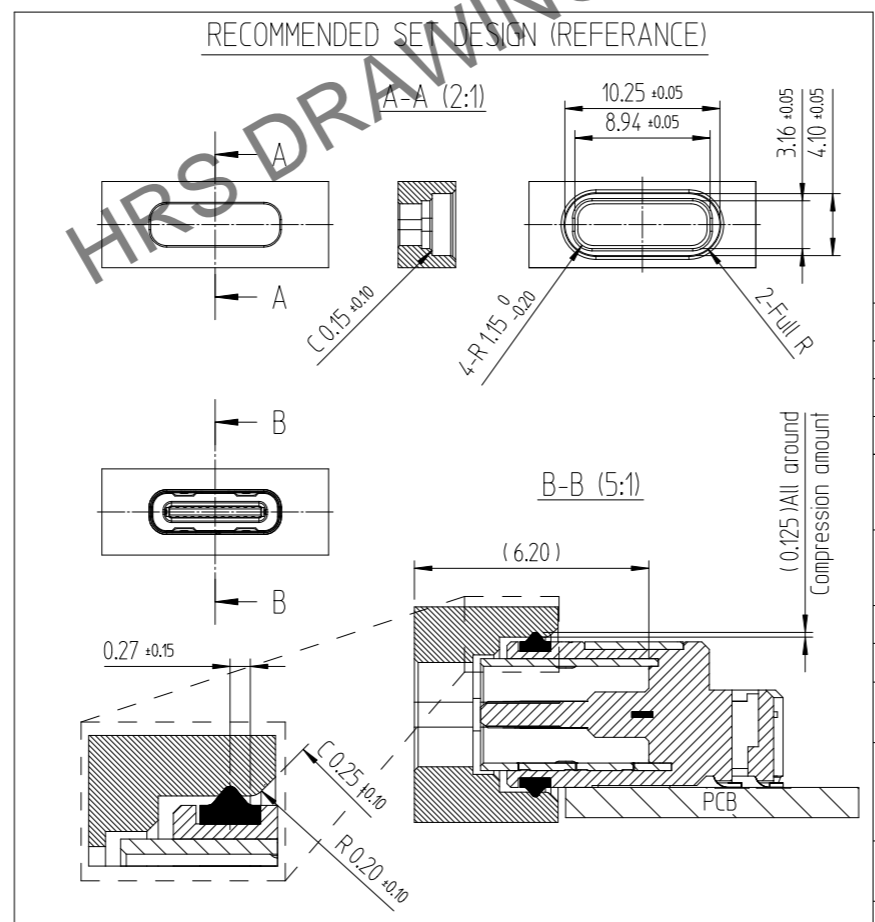
PCB MOUNTING POSITION

RECOMMENDED PCB LAYOUT(TOP-VIEW)
(GENERAL TOLERANCE : ±0.05)



ISO VIEW

RECOMMENDED SET DESIGN (REFERENCE)



NO.	DESCRIPTIONS	MATERIAL	FINISH	REMARKS
7	GASKET	SILICONE	GRAY COLOR	-
6	BRACKET	STAINLESS STEEL	NICKEL PLATING	-
5	SHELL	STAINLESS STEEL	CLEANSING	-
4	MID PLATE	STAINLESS STEEL	NICKEL PLATING	△
3	CONTACT 2ND	COPPER ALLOY	CONTACT AREA : GOLD OVER NICKEL PLATING SOLDER AREA : GOLD OVER NICKEL PLATING THE OTHER AREA : NICKEL PLATING	-
2	CONTACT 1ST	COPPER ALLOY		
1	INSERT CASE	THERMOPLASTIC	BLACK COLOR	UL94V-0

CODE NO. (OLD)	DRAWN	DESIGNED	CHECKED	APPROVED	RELEASED
	Y.G.KIM 22.08.24	Y.G.KIM 22.08.24	H.J.LEE 22.08.24	H.J.LEE 22.08.24	ENG 24.05.01 DEPT

SCALE 5:1 UNITS mm	DRAWING NO. EDC3-633753-00	PART NO. CX90BW1-24P*
	HIROSE KOREA CO.,LTD.	CODE NO △5>CL ****-****-****

Dec.1.2024 Copyright 2024 HIROSE ELECTRIC CO., LTD. All Rights Reserved.
In case of consideration for using Automotive equipment / device which demand high reliability, kindly contact our sales window correspondents.

