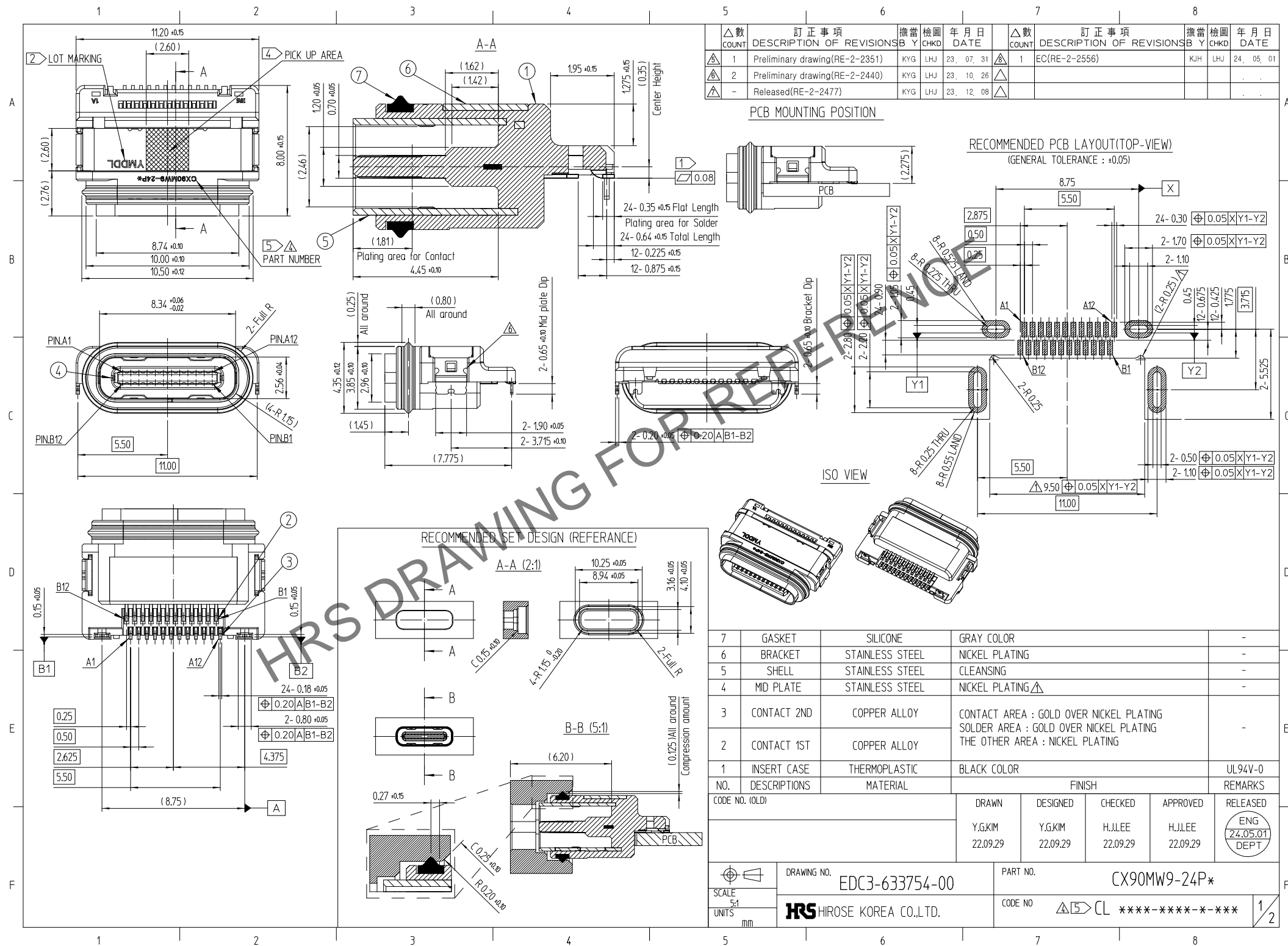


Jan. 1. 2025 Copyright 2025 HIROSE ELECTRIC CO., LTD. All Rights Reserved.
 use of consideration for using Automotive equipment / device which demand high reliability, kindly contact our sales window correspon-



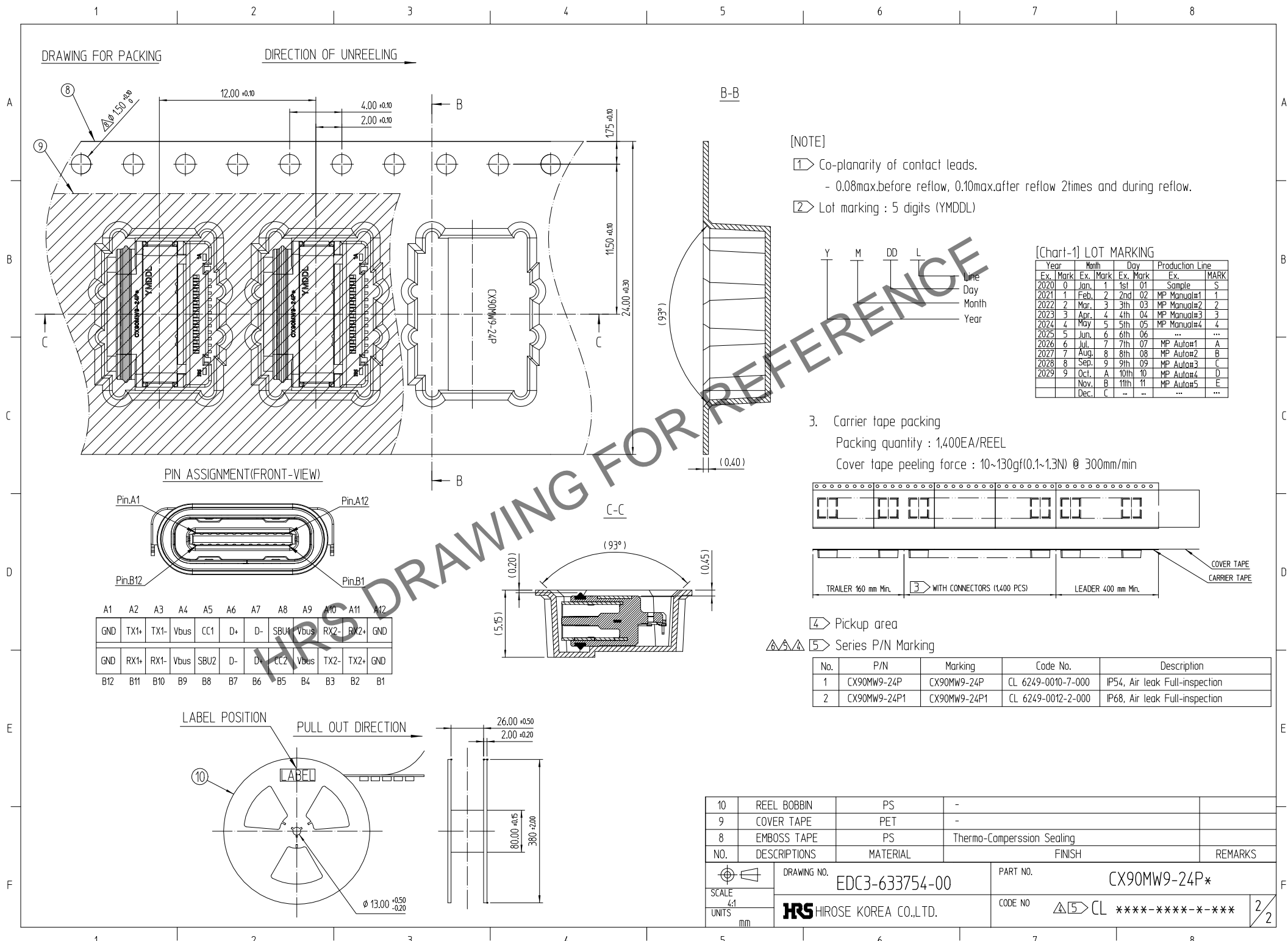
△ 数 COUNT	訂正事項 DESCRIPTION OF REVISIONS	擔當 CHKD	檢圖 CHKD	年月日 DATE	△ 数 COUNT	訂正事項 DESCRIPTION OF REVISIONS	擔當 CHKD	檢圖 CHKD	年月日 DATE
1	Preliminary drawing(RE-2-2351)	KYG	LHJ	23. 07. 31	1	EC(RE-2-2556)	KJH	LHJ	24. 05. 01
2	Preliminary drawing(RE-2-2440)	KYG	LHJ	23. 10. 26	△				
-	Released(RE-2-2477)	KYG	LHJ	23. 12. 08	△				

NO.	DESCRIPTIONS	MATERIAL	FINISH	REMARKS
7	GASKET	SILICONE	GRAY COLOR	-
6	BRACKET	STAINLESS STEEL	NICKEL PLATING	-
5	SHELL	STAINLESS STEEL	CLEANSING	-
4	MID PLATE	STAINLESS STEEL	NICKEL PLATING△	-
3	CONTACT 2ND	COPPER ALLOY	CONTACT AREA : GOLD OVER NICKEL PLATING SOLDER AREA : GOLD OVER NICKEL PLATING THE OTHER AREA : NICKEL PLATING	-
2	CONTACT 1ST	COPPER ALLOY		
1	INSERT CASE	THERMOPLASTIC	BLACK COLOR	UL94V-0

CODE NO. (OLD)	DRAWN	DESIGNED	CHECKED	APPROVED	RELEASED
	Y.GKM 22.09.29	Y.GKM 22.09.29	H.JLEE 22.09.29	H.JLEE 22.09.29	ENG 24.05.01 DEPT

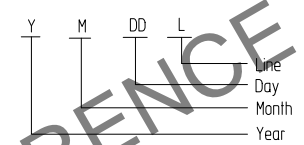
DRAWING NO. EDC3-633754-00	PART NO. CX90MW9-24P*
SCALE 5:1	CODE NO △5▷CL *****-*****
UNITS mm	1/2

HRS HIROSE KOREA CO., LTD.



[NOTE]

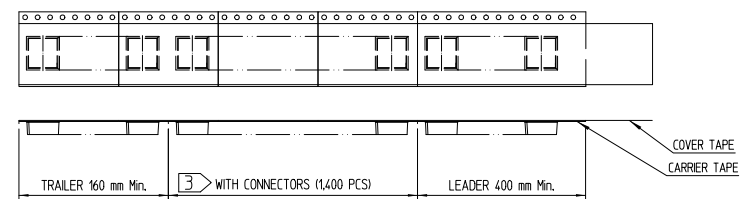
- 1 ▷ Co-planarity of contact leads.
- 0.08max.before reflow, 0.10max.after reflow 2times and during reflow.
- 2 ▷ Lot marking : 5 digits (YMDDL)



[Chart-1] LOT MARKING

Year	Month	Day	Production Line
2020	0	1st	01
2021	1	2nd	02
2022	2	3th	03
2023	3	4th	04
2024	4	5th	05
2025	5	6th	06
2026	6	7th	07
2027	7	8th	08
2028	8	9th	09
2029	9	10th	10
	Nov.	11th	11
	Dec.	C	...

3. Carrier tape packing
 Packing quantity : 1,400EA/REEL
 Cover tape peeling force : 10~130gf(0.1~1.3N) @ 300mm/min



- 4 ▷ Pickup area
- 5 ▷ Series P/N Marking

No.	P/N	Marking	Code No.	Description
1	CX90MW9-24P	CX90MW9-24P	CL 6249-0010-7-000	IP54, Air leak Full-inspection
2	CX90MW9-24P1	CX90MW9-24P1	CL 6249-0012-2-000	IP68, Air leak Full-inspection

10	REEL BOBBIN	PS	-	
9	COVER TAPE	PET	-	
8	EMBOSS TAPE	PS	Thermo-Comperssion Sealing	
NO.	DESCRIPTIONS	MATERIAL	FINISH	REMARKS
	DRAWING NO.	EDC3-633754-00		PART NO. CX90MW9-24P*
	SCALE	4:1		CODE NO. △5▷ CL *****-*****-***
	UNITS	mm		HRS HIROSE KOREA CO.,LTD. 2/2