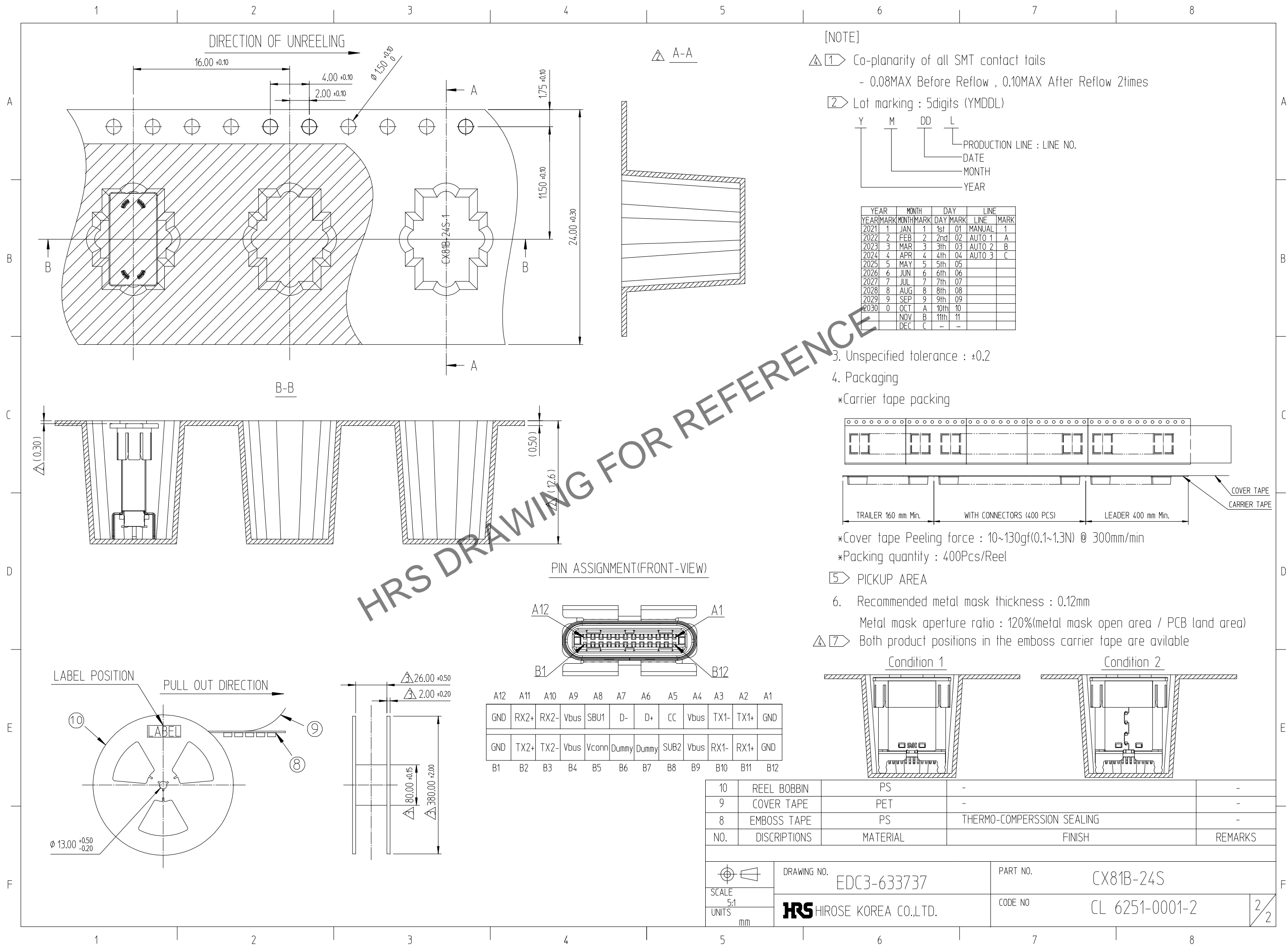


Dec.1.2024 Copyright 2024 HIROSE ELECTRIC CO., LTD. All Rights Reserved.
In case of consideration for using Automotive equipment / device which demand high reliability, kindly contact our sales window correspondents.



[NOTE]

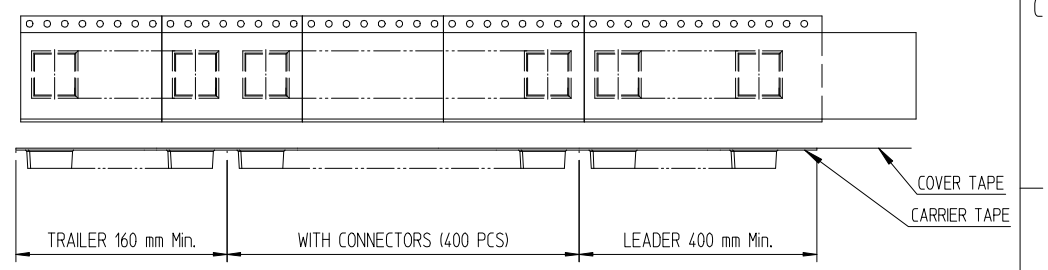
① Co-planarity of all SMT contact tails
- 0.08MAX Before Reflow , 0.10MAX After Reflow 2times

② Lot marking : 5digits (YMDDL)

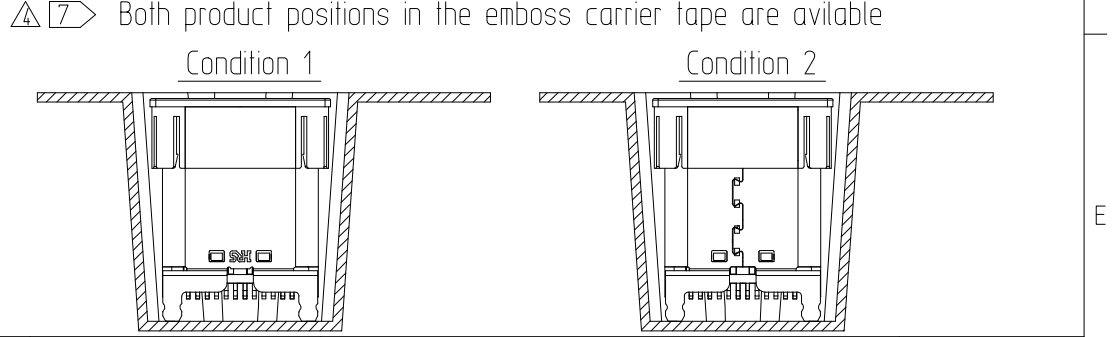
Y M DD L
 PRODUCTION LINE : LINE NO.
 DATE
 MONTH
 YEAR

YEAR	MONTH	DAY	LINE
2021	1	JAN	1 1st 01
2022	2	FEB	2 2nd 02
2023	3	MAR	3 3rd 03
2024	4	APR	4 4th 04
2025	5	MAY	5 5th 05
2026	6	JUN	6 6th 06
2027	7	JUL	7 7th 07
2028	8	AUG	8 8th 08
2029	9	SEP	9 9th 09
2030	0	OCT	A 10th 10
		NOV	B 11th 11
		DEC	C

- 3. Unspecified tolerance : ±0.2
- 4. Packaging
*Carrier tape packing



- *Cover tape Peeling force : 10~130gf(0.1~1.3N) @ 300mm/min
- *Packing quantity : 400Pcs/Reel
- ⑤ PICKUP AREA
- 6. Recommended metal mask thickness : 0.12mm
Metal mask aperture ratio : 120%(metal mask open area / PCB land area)



NO.	DISCRIPTIONS	MATERIAL	FINISH	REMARKS
10	REEL BOBBIN	PS	-	-
9	COVER TAPE	PET	-	-
8	EMBOSS TAPE	PS	THERMO-COMPERSSION SEALING	-

 SCALE 5:1 UNITS mm	DRAWING NO. EDC3-633737 HRS HIROSE KOREA CO.,LTD.	PART NO. CX81B-24S CODE NO CL 6251-0001-2	2/2
---------------------------	---	--	-----