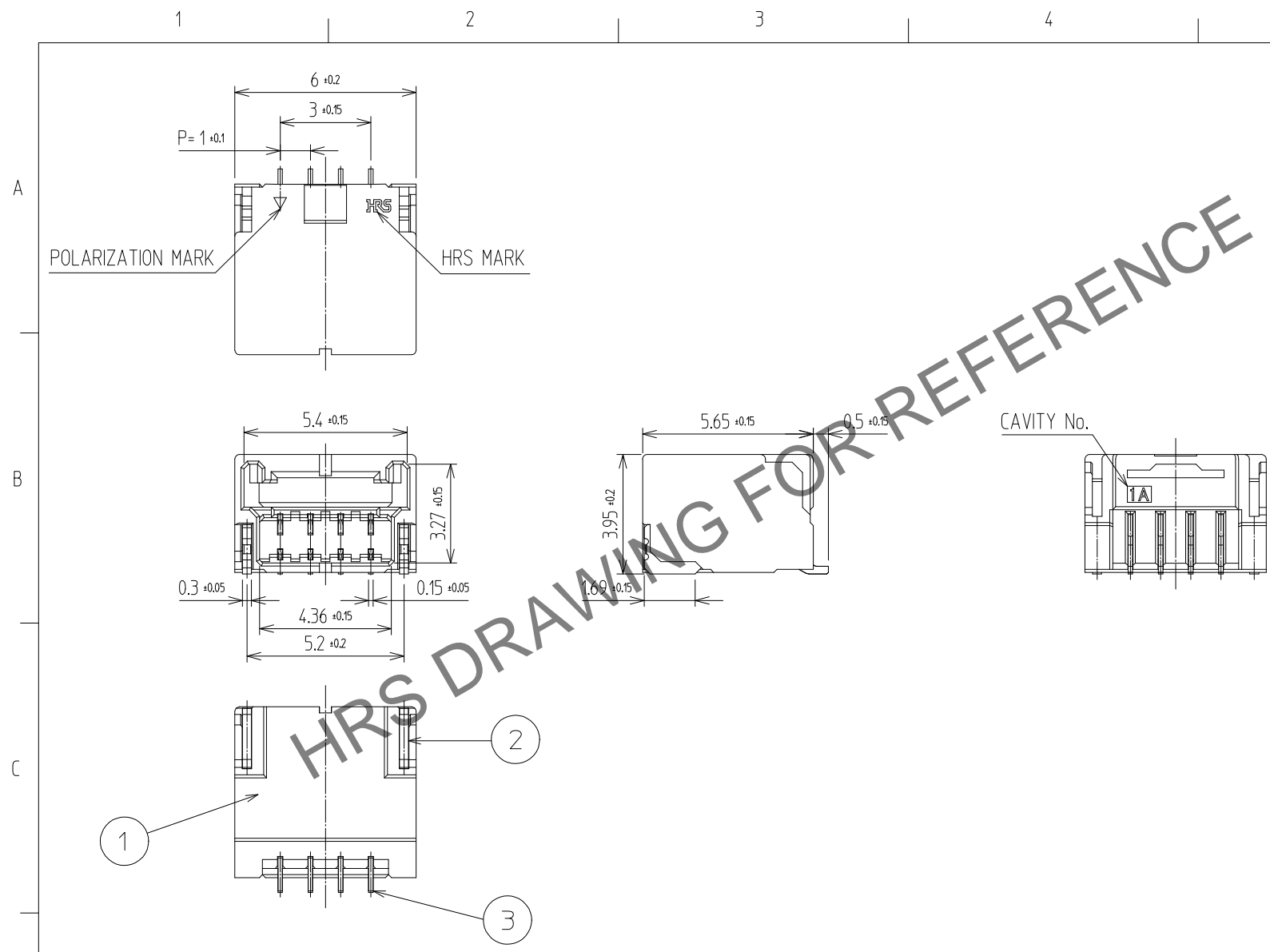
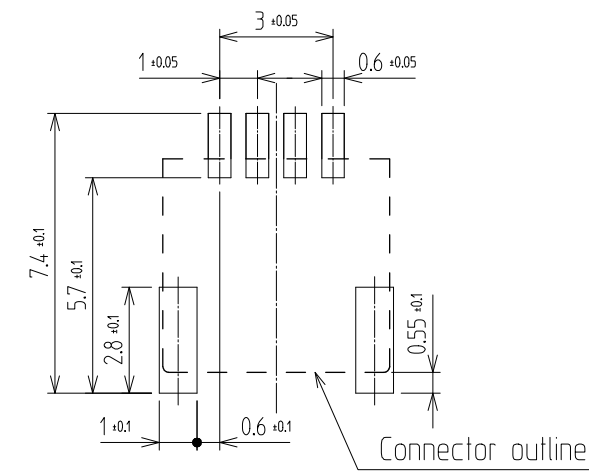


In case of consideration for using Automotive equipment / device which demand high reliability, kindly contact our sales window

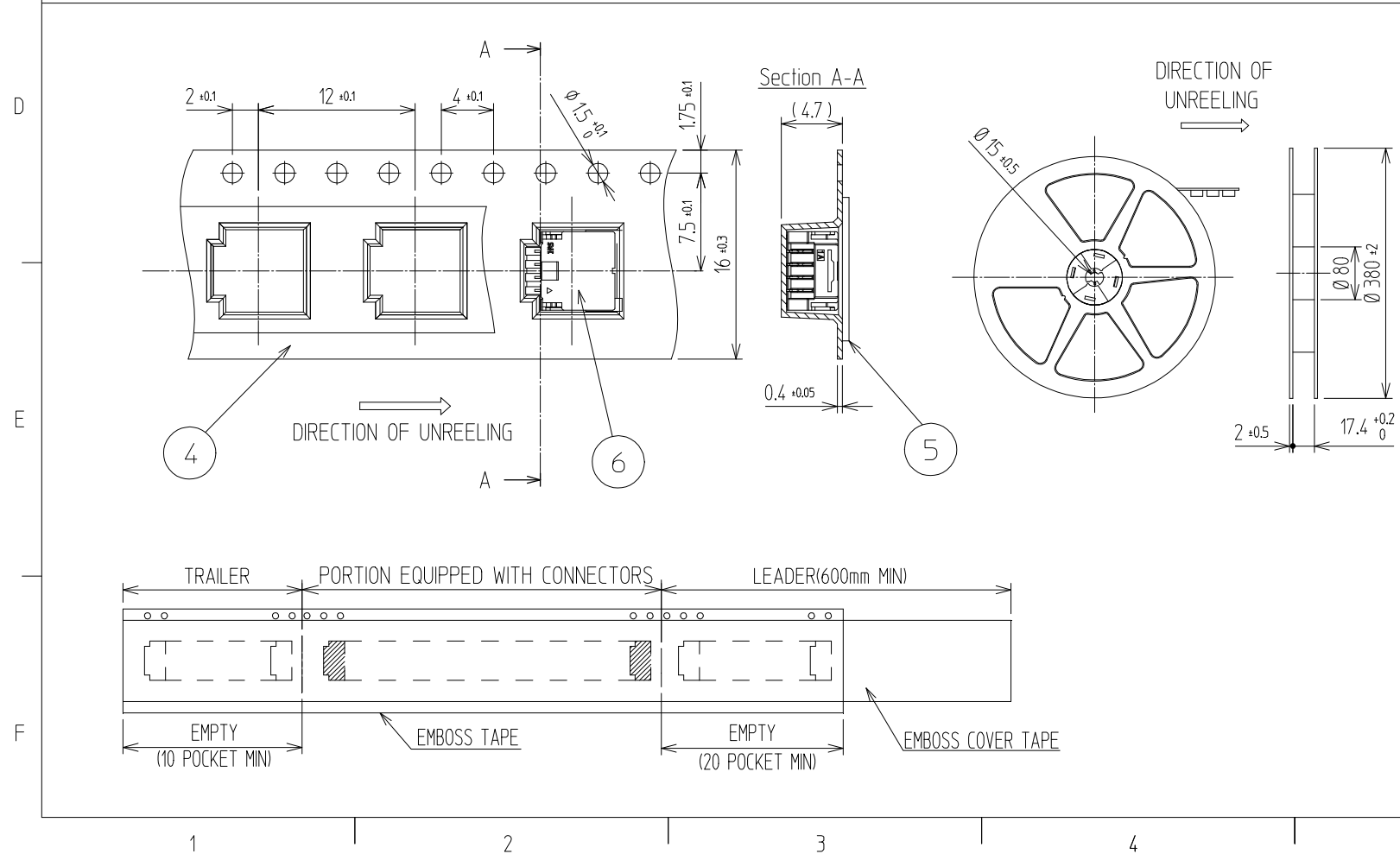
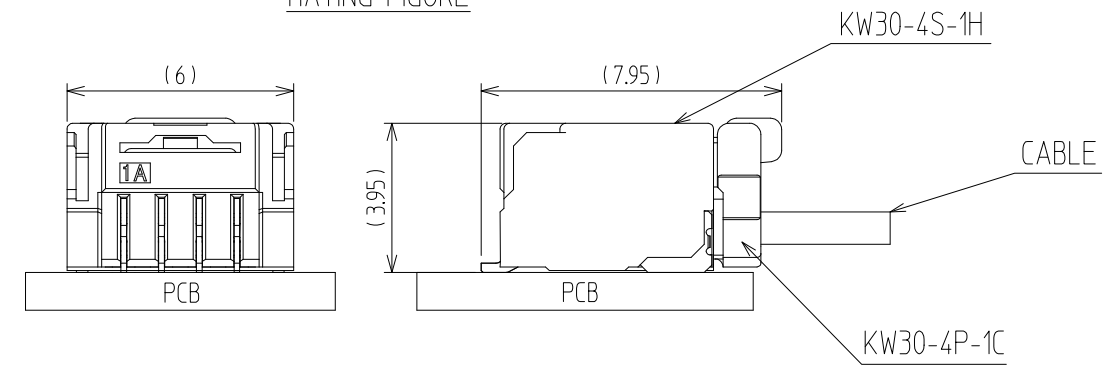


| △數 COUNT | 訂正事項 DISCUSSION OF REVISIONS | 擔當 B | 檢圖 CHKD | 年月日 DATE | △數 COUNT | 訂正事項 DISCUSSION OF REVISIONS | 擔當 B | 檢圖 CHKD | 年月日 DATE |
|-------------|---------------------------------|---------|------------|-------------|-------------|---------------------------------|---------|------------|-------------|
| △ | | | | | △ | | | | |
| △ | | | | | △ | | | | |
| △ | | | | | △ | | | | |

RECOMMENDED PCB LAYOUT (TOP-View)



MATING FIGURE



NOTE

1. LEAD CO-PLANARITY SHALL BE 0.1mmMAX
2. 1REEL : 1,500EA CONNECTORS
3. UL(File No. E132750) AUTHORIZATION ARTICLE.
C-UL(File No. E132750) AUTHORIZATION ARTICLE.



| | | | | | |
|-----|-----------------|--|-----|-----------|---------------------|
| 3 | COPPER ALLOY | CONTACT AREA : GOLD 0.2μm MIN. SMT LEAD : GOLD 0.05μm MIN. UNDER PLATING : NICKEL 1μm MIN. | 6 | CONNECTOR | KW30-4S-1H |
| 2 | PHOSPHOR BRONZE | Sn PLATED | 5 | PET | COVER TAPE |
| 1 | LCP | UL94-V0, BLACK | 4 | PS | EMBOSS CARRIER TAPE |
| NO. | MATERIAL | FINISH,REMARKS | NO. | MATERIAL | FINISH,REMARKS |

| CODE NO. (OLD) | DRAWN | DESIGNED | CHECKED | APPROVED | RELEASED |
|----------------|-------------------------|-------------------------|------------------------|------------------------|----------|
| | SHIN 22.12.22 J.H | SHIN 22.12.22 J.H | LIM 22.12.22 S.M | LIM 22.12.22 S.M | |

| | | |
|-----------------------------|----------------------------|--------------------------------|
| SCALE 5:1 UNITS mm | DRAWING NO. EDC3-633959 | PART NO. KW30-4S-1H (800) |
| | HRS HIROSE KOREA CO.,LTD. | CODE NO. CL 6669-0006-7-800 |

1/1