

In case of consideration for using Automotive equipment / device which demand high reliability, kindly contact our sales window.

1

2

3

4

5

6

7

8

A

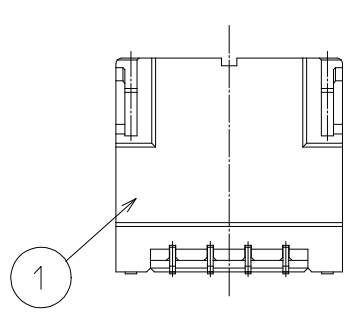
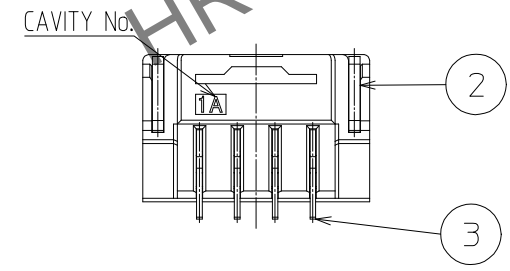
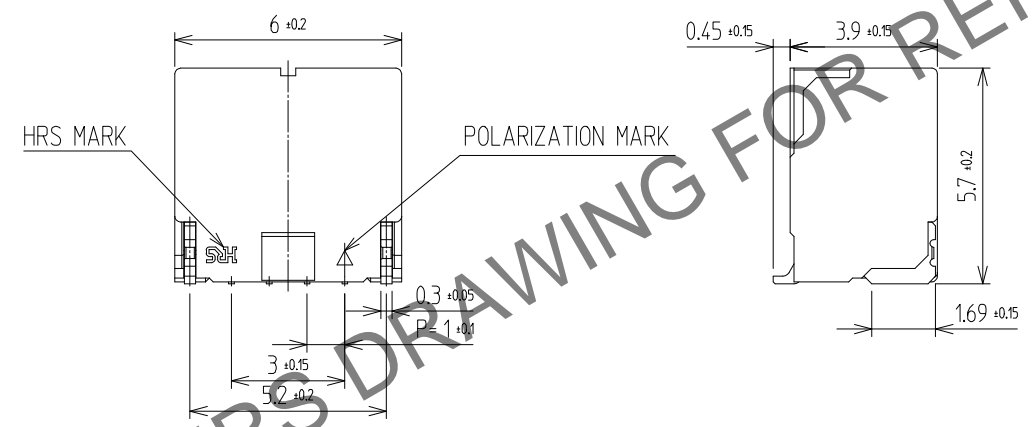
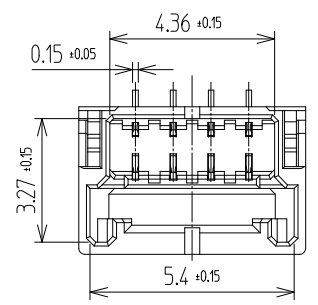
B

C

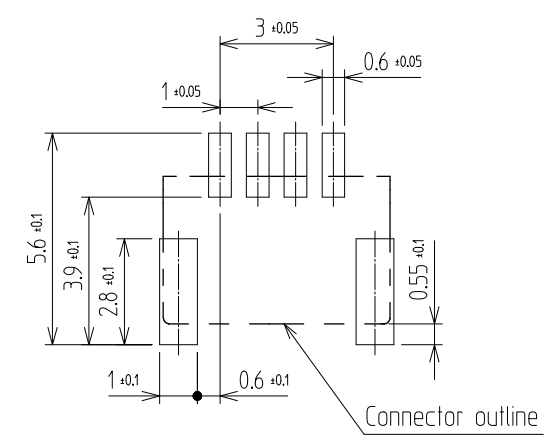
D

E

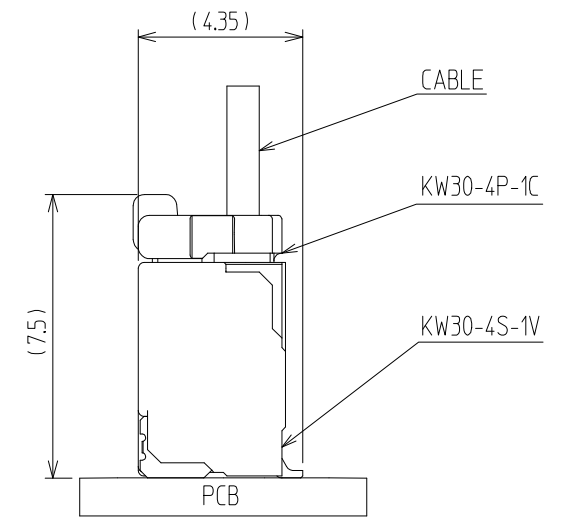
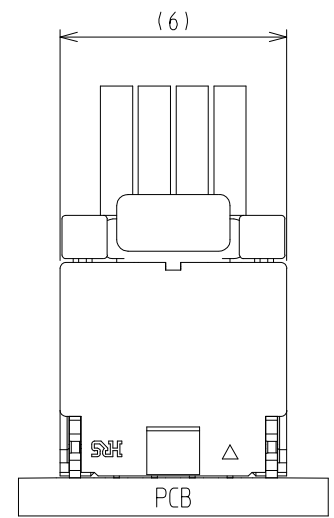
F



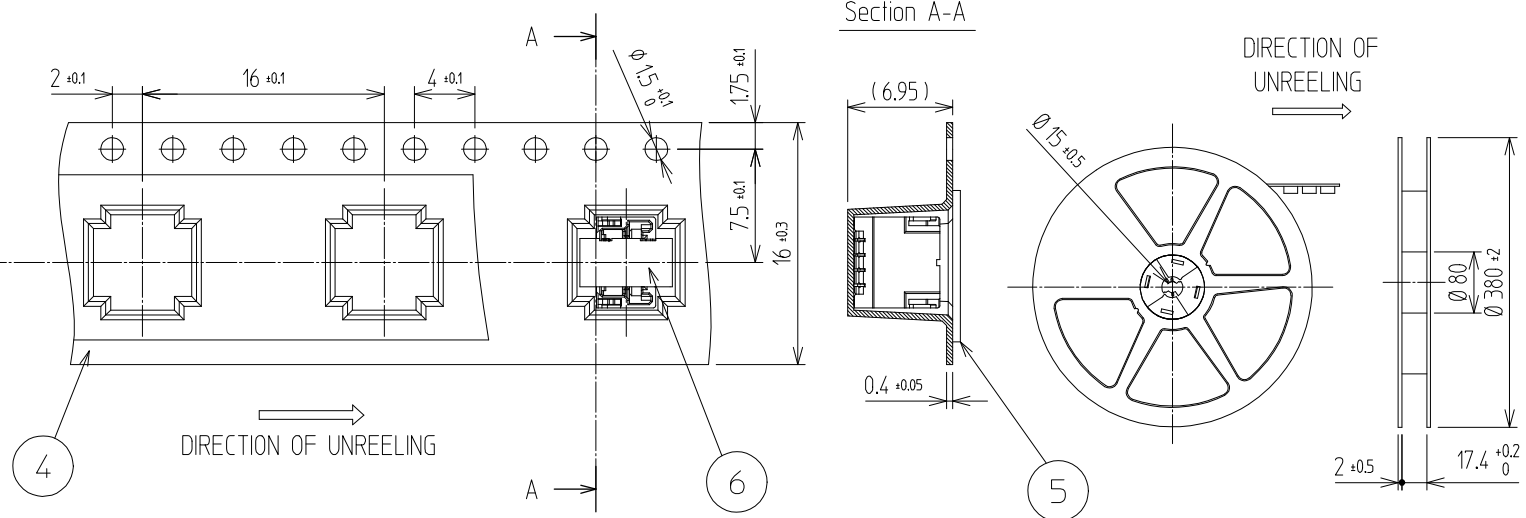
RECOMMENDED PCB LAYOUT (Top-View)



MATING FIGURE



Section A-A



NOTE

- 1. LEAD CO-PLANARITY SHALL BE 0.1mmMAX
- 2. 1REEL : 800EA CONNECTORS

3. UL(File No. E132750) AUTHORIZATION ARTICLE.
C-UL(File No. E132750) AUTHORIZATION ARTICLE.



3	COPPER ALLOY	CONTACT AREA : GOLD 0.2µm MIN. SMT LEAD : GOLD 0.05µm MIN. UNDER PLATING : NICKEL 1µm MIN.	6	CONNECTOR	KW30-4S-1V
2	PHOSPHOR BRONZE	Sn PLATED	5	PET	COVER TAPE
1	LCP	UL94-V0, BLACK	4	PS	EMBOSS CARRIER TAPE
NO.	MATERIAL	FINISH,REMARKS	NO.	MATERIAL	FINISH,REMARKS

CODE NO. (OLD)	DRAWN	DESIGNED	CHECKED	APPROVED	RELEASED
	SHIN 22.12.22 J.H	SHIN 22.12.22 J.H	LIM 22.12.22 S.M	LIM 22.12.22 S.M	

SCALE 5:1 UNITS mm	DRAWING NO. EDC3-633977	PART NO. KW30-4S-1V (800)
	HRS HIROSE KOREA CO.,LTD.	CODE NO. CL 6669-0019-9-800

1/1

1

2

3

4

5

6

7

8

HRS DRAWING FOR REFERENCE