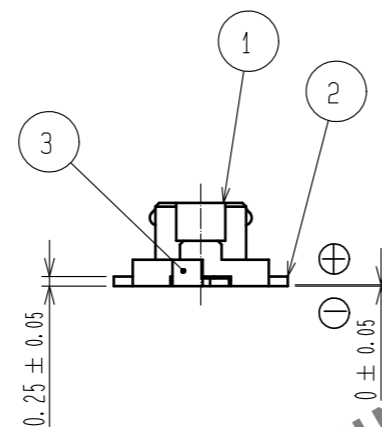
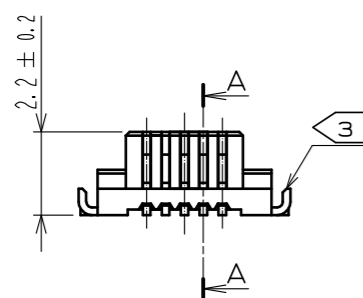
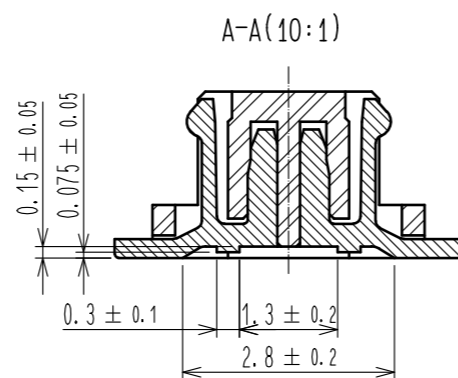
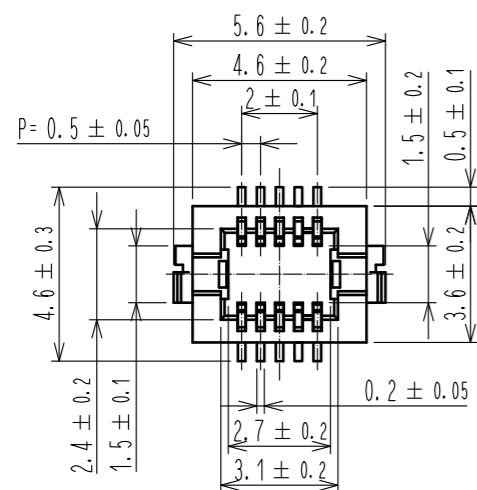
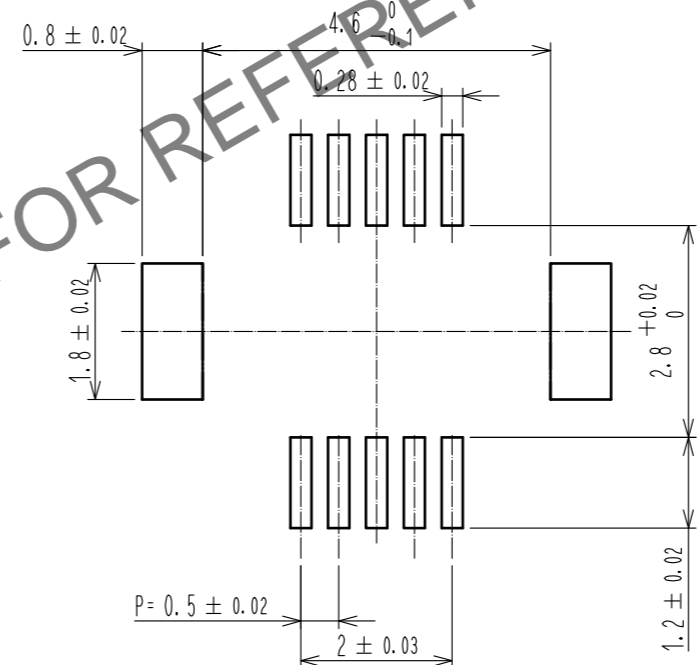


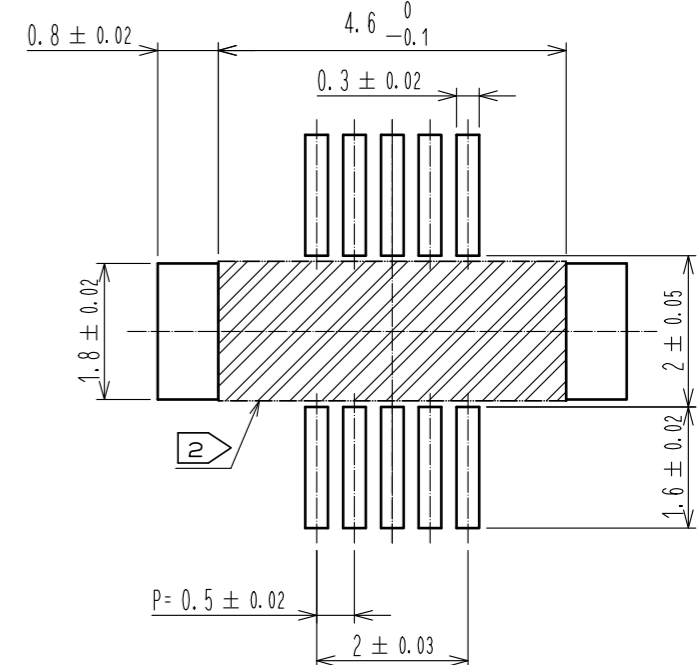
Feb.1.2025 Copyright 2025 HIROSE ELECTRIC CO., LTD. All Rights Reserved.
In case of consideration for using Automotive equipment / device which demand high reliability, kindly contact our sales window correspondents.



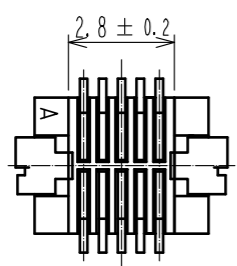
RECOMMENDED METAL MASK (10:1)



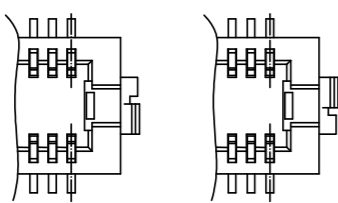
RECOMMENDED LAND PATTERN (10:1)



RECOMMENDED THICKNESS OF SOLDER PASTE: 120µm

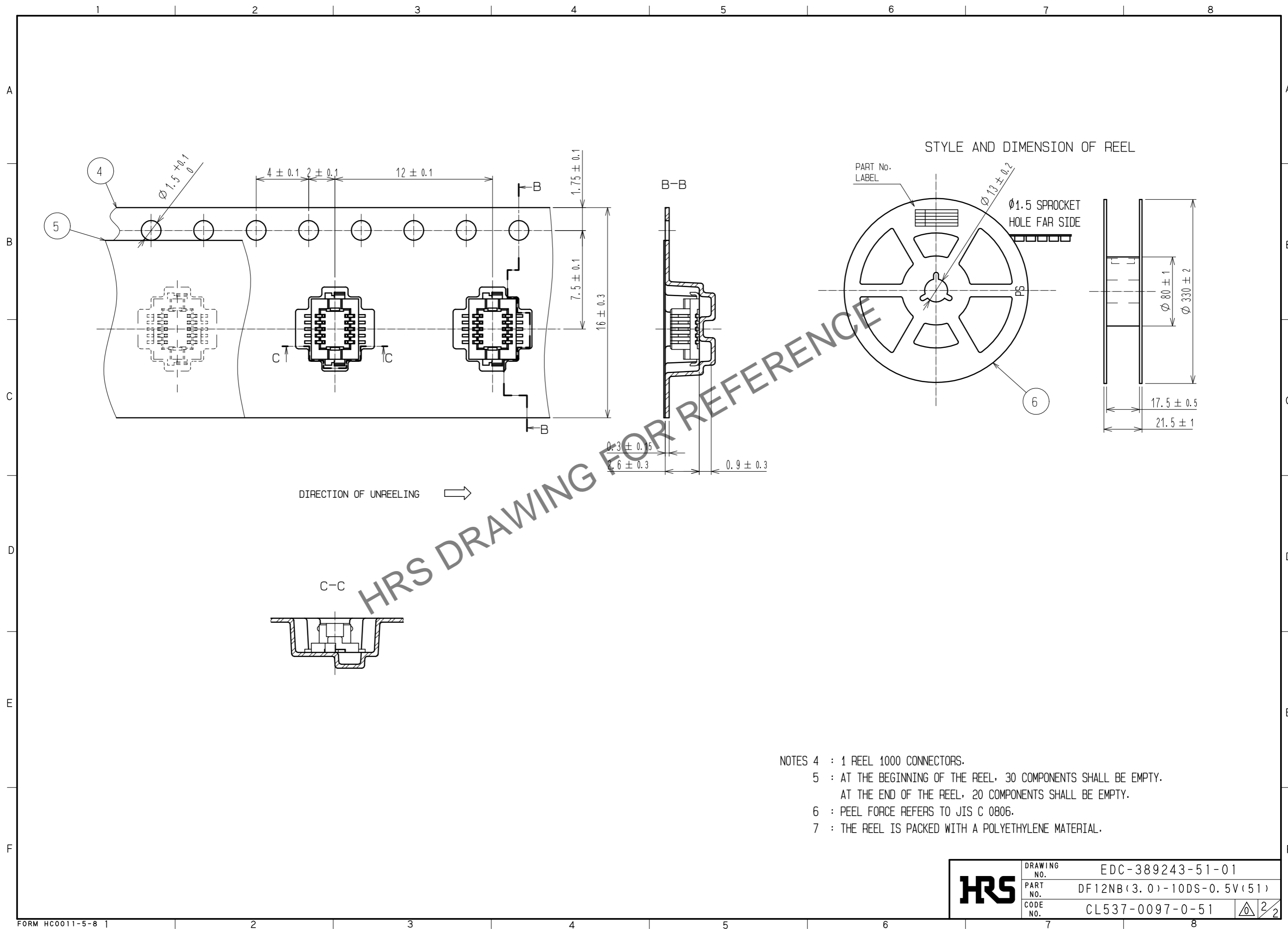


- NOTES 1 : LEAD CO-PLANARITY REINFORCED METAL FITTINGS SHALL BE 0.08 mm MAX.
 2 : IF THERE IS PATTERN ON [Hatched] PART, THERE IS A POSSIBILITY THAT IT WILL MAKE CONTACT WITH THE LEADS.
 3 : REINFORCED METAL FITTINGS AS FOLLOWS.



2	PHOSPHOR BRONZE	CONTACT AREA:GOLD PLATED 0.2µm min LEAD AREA:GOLD PLATED 0.015µm min OTHERS(UNDER PLATING):NICKEL PLATED 2µm min	6	PS	BLACK (PLASTIC REEL)			
1	POLYAMIDE	UL94V-0, BLACK	5	POLYESTER	CLEAR (COVER TAPE)			
			4	PS	CLEAR (EMBOSSED CARRIER TAPE)			
			3	BRASS	TIN PLATED 2µm min (UNDER PLATING):NICKEL 1µm min			
NO.	MATERIAL	FINISH . REMARKS	NO.	MATERIAL	FINISH . REMARKS			
UNITS	mm	SCALE	5 : 1	COUNT	DESCRIPTION OF REVISIONS	DESIGNED	CHECKED	DATE
		APPROVED : WR. FUKUCHI	20190828	DRAWING NO. EDC-389243-51-01				
		CHECED : TS. MIYAZAKI	20190827	PART NO. DF12NB(3.0)-10DS-0.5V(51)				
		DESIGNED : KT. KUSAKA	20190827	CODE NO. CL537-0097-0-51				
		DRAWN : KT. KUSAKA	20190827					

Feb.1.2025 Copyright 2025 HIROSE ELECTRIC CO., LTD. All Rights Reserved.
 In case of consideration for using Automotive equipment / device which demand high reliability, kindly contact our sales window correspondents.



- NOTES 4 : 1 REEL 1000 CONNECTORS.
 5 : AT THE BEGINNING OF THE REEL, 30 COMPONENTS SHALL BE EMPTY.
 AT THE END OF THE REEL, 20 COMPONENTS SHALL BE EMPTY.
 6 : PEEL FORCE REFERS TO JIS C 0806.
 7 : THE REEL IS PACKED WITH A POLYETHYLENE MATERIAL.

HRS	DRAWING NO.	EDC-389243-51-01
	PART NO.	DF12NB(3.0)-10DS-0.5V(51)
	CODE NO.	CL537-0097-0-51
		2/2