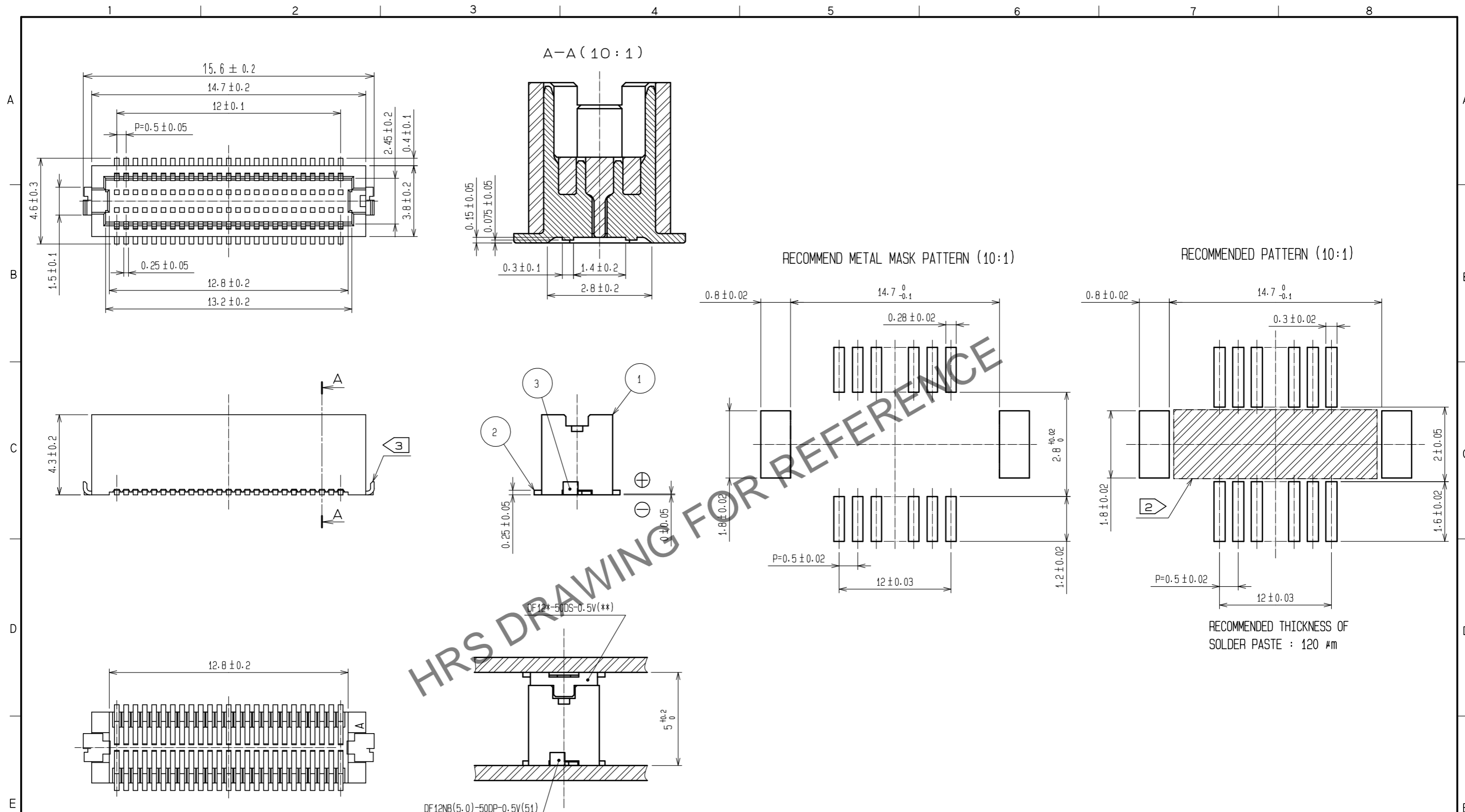
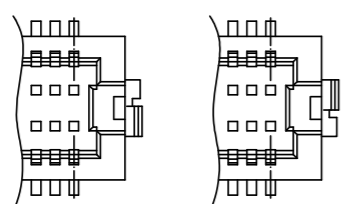


Apr.1.2026 Copyright 2026 HIROSE ELECTRIC CO., LTD. All Rights Reserved.  
In case of consideration for using Automotive equipment / device which demand high reliability, kindly contact our sales window correspondents.

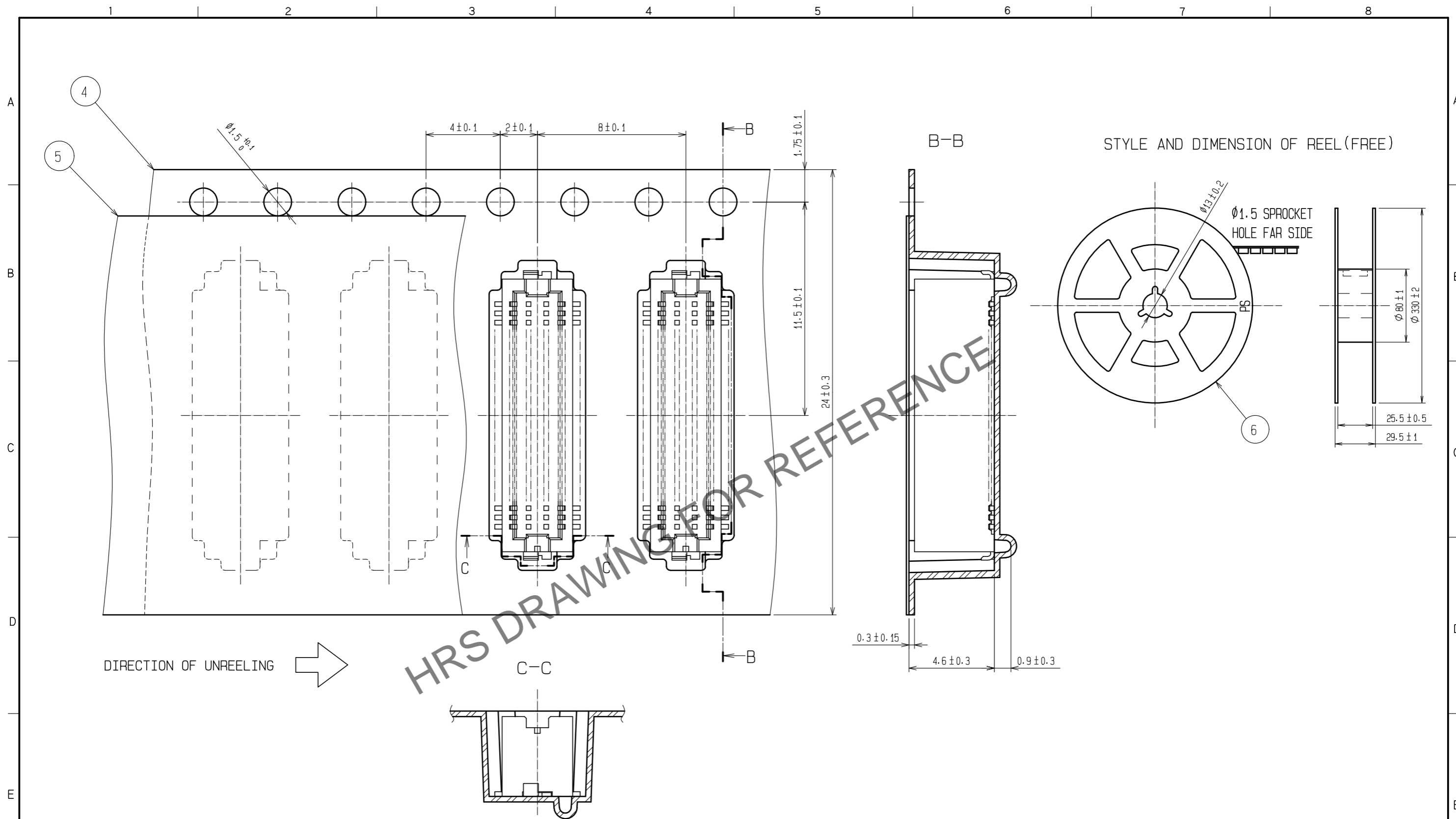


NOTES 1 : LEAD CO-PLANARITY INCLUDING REINFORCED METAL FITTINGS SHALL BE 0.08 mm MAX.  
 ② IF THERE IS PATTERN ON PART, THERE IS A POSSIBILITY THAT IT WILL MAKE CONTACT WITH THE LEADS.  
 ③ REINFORCED METAL FITTINGS AS FOLLOWS.



2	PHOSPHOR BRONZE	CONTACT AREA:GOLD PLATED 0.2μm min LEAD AREA:GOLD PLATED 0.015μm OTHERS(UNDER PLATING):NICKEL PLATED 2μm min	6	PS	BLACK (PLASTIC REEL)
1	POLYAMIDE	UL94V-0·BLACK	5	POLYESTER	CLEAR (COVER TAPE)
			4	PS	CLEAR (EMBOSSD CARRIER TAPE)
			3	BRASS	TIN PLATED 2μm min (UNDER PLATING):NICKEL 1μm min
NO.	MATERIAL	FINISH . REMARKS	NO.	MATERIAL	FINISH . REMARKS
UNITS mm		SCALE 5 : 1	COUNT 	DESCRIPTION OF REVISIONS	
DESIGNED		CHECKED		DATE	
APPROVED : WR. FUKUCHI 20200512			DRAWING NO. EDC-389325-51-01		
CHECED : TS. MIYAZAKI 20200512			PART NO. DF12NB(5.0)-50DP-0.5V(51)		
DESIGNED : KT. KUSAKA 20200512			CODE NO. CL537-0881-0-51		
DRAWN : KT. KUSAKA 20200512			1/2		

Apr.1.2026 Copyright 2026 HIROSE ELECTRIC CO., LTD. All Rights Reserved.  
 In case of consideration for using Automotive equipment / device which demand high reliability, kindly contact our sales window correspondents.



- NOTES
4. 1 REEL : 1000 CONNECTORS.
  5. AT THE BEGINNING OF THE REEL, 30 COMPONENTS SHALL BE EMPTY.  
 AT THE END OF THE REEL, 20 COMPONENTS SHALL BE EMPTY.
  6. PEEL FORCE REFERS TO JIS C 0806.

<b>HRS</b>	DRAWING NO.	EDC-389325-51-01
	PART NO.	DF12NB(5.0)-50DP-0.5V(51)
	CODE NO.	CL537-0881-0-51
		$\triangle$ 2/2