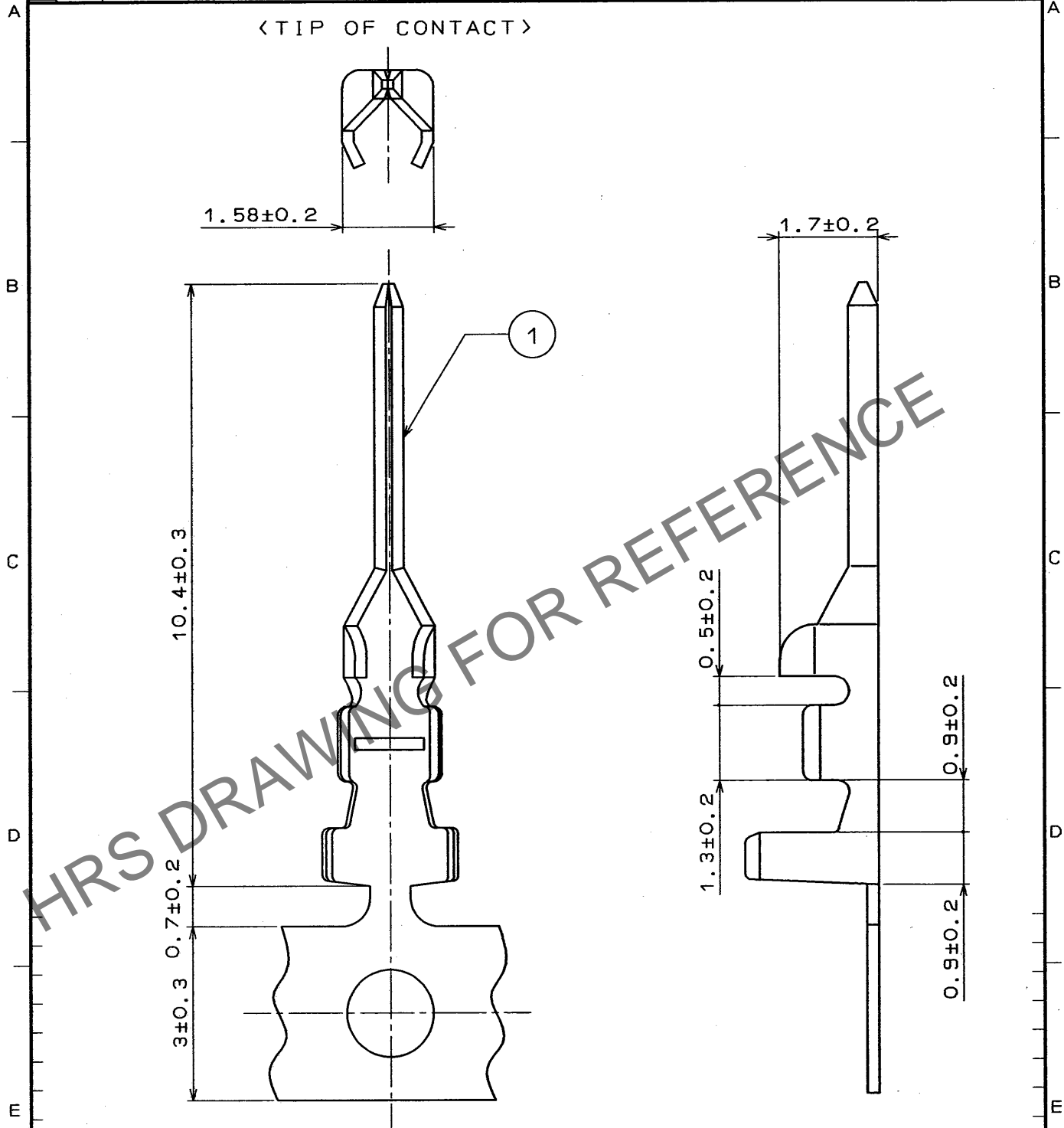


Mar.1.2025 Copyright 2025 HIROSE ELECTRIC CO., LTD. All Rights Reserved.  
 In case of consideration for using Automotive equipment / device which demand high reliability, kindly contact our sales window correspondents.

1	2	3	4						
COUNT	DESCRIPTION OF REVISIONS	BY	CHKD	DATE	COUNT	DESCRIPTION OF REVISIONS	BY	CHKD	DATE
△				..	△				..
△				..	△				..
△				..	△				..



NOTE1. ONE REEL HAS 10000 PIECES OF CONTACTS.

NO. MATERIAL FINISH, REMARKS		1 PHOSPHOR BRONZE TIN PLATED	
CODE NO. (OLD)		FINISH, REMARKS	
DRAWN		DESIGNED	
CHECKED		APPROVED	
RELEASED			
<i>T. Miyajaki</i> 94.9.29		<i>T. Miyajaki</i> 94.9.29	
<i>C. Hanami</i> 94.10.3		<i>H. Yamano</i> 94.10.5	

TO

 SCALE 10:1 UNITS mm	DRAWING NO. EDC4-083343-02 HIROSE ELECTRIC CO., LTD.	PART NO. DF11-EP2428PCF CODE NO. CL543-0615-4	1/1 
----------------------------------	--	--	---------