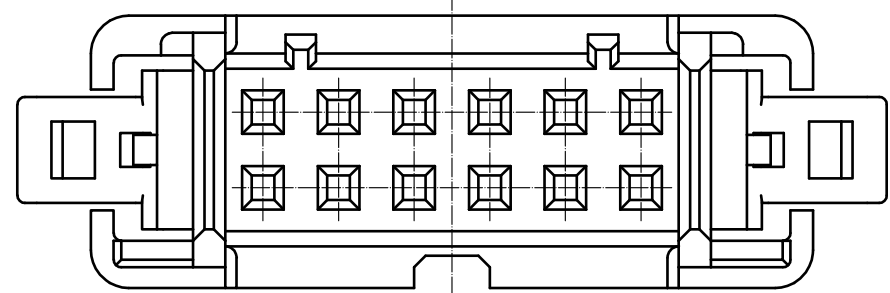
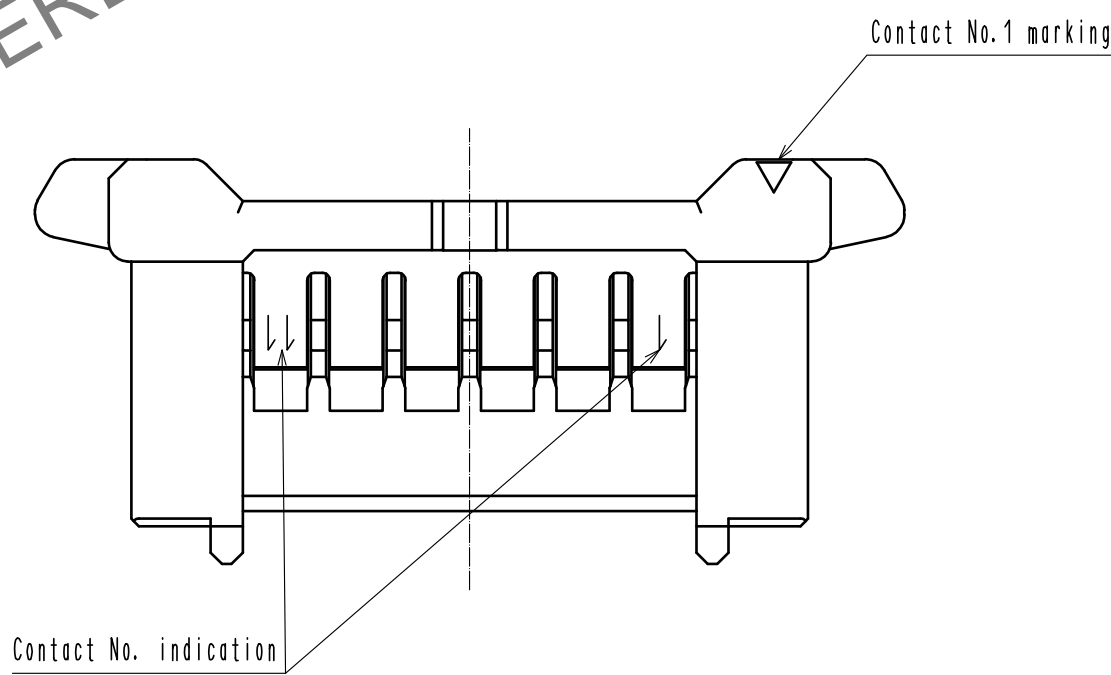
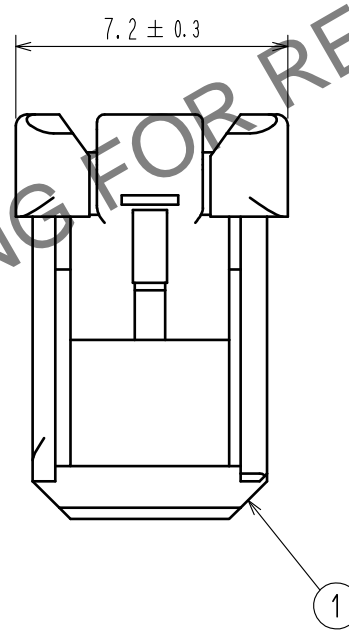
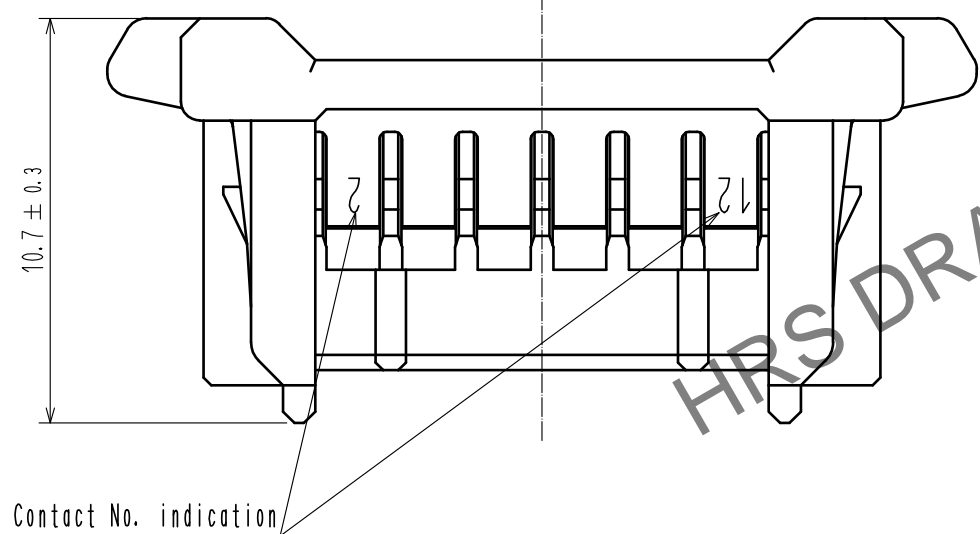
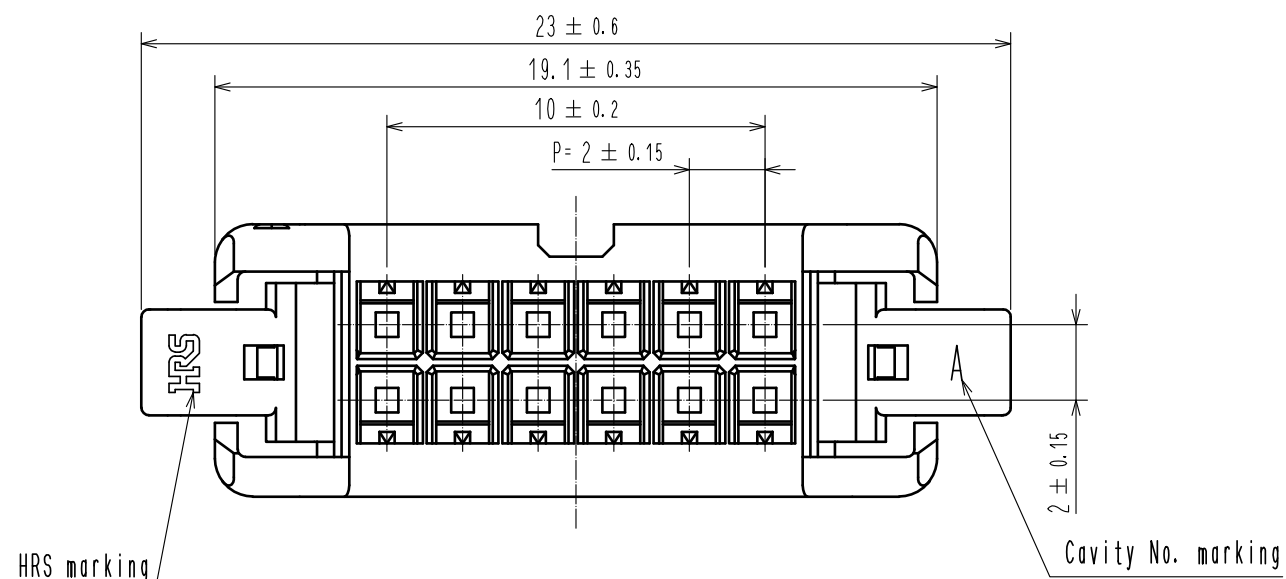


Jan.1.2025 Copyright 2025 HIROSE ELECTRIC CO., LTD. All Rights Reserved.
 In case of consideration for using Automotive equipment / device which demand high reliability, kindly contact our sales window correspondents.



Note 1. Per pack : 100 pieces.
 △ 2. UL(File No. E52653),
 C-UL(File No. E52653) authorization article.



NO.	MATERIAL	FINISH . REMARKS	NO.	MATERIAL	FINISH . REMARKS		
1	PBT			UL94V-0. BLACK			
UNITS	mm	SCALE	COUNT	DESCRIPTION OF REVISIONS	DESIGNED	CHECKED	DATE
		5 : 1	△ 1	DIS-H-00004451	TS.MIYAKI	SZ.ONO	20181126
HRS HIROSE ELECTRIC CO., LTD.		APPROVED : HS. OKAWA	20160707	DRAWING NO. EDC-362058-00-00			
		CHECKED : YN. TAKASHITA	20160707	PART NO. DF51-12DS-2C			
		DESIGNED : TT. OHSAKO	20160707	CODE NO. CL543-5034-9-00			
		DRAWN : TT. OHSAKO	20160707			△ 1/1	