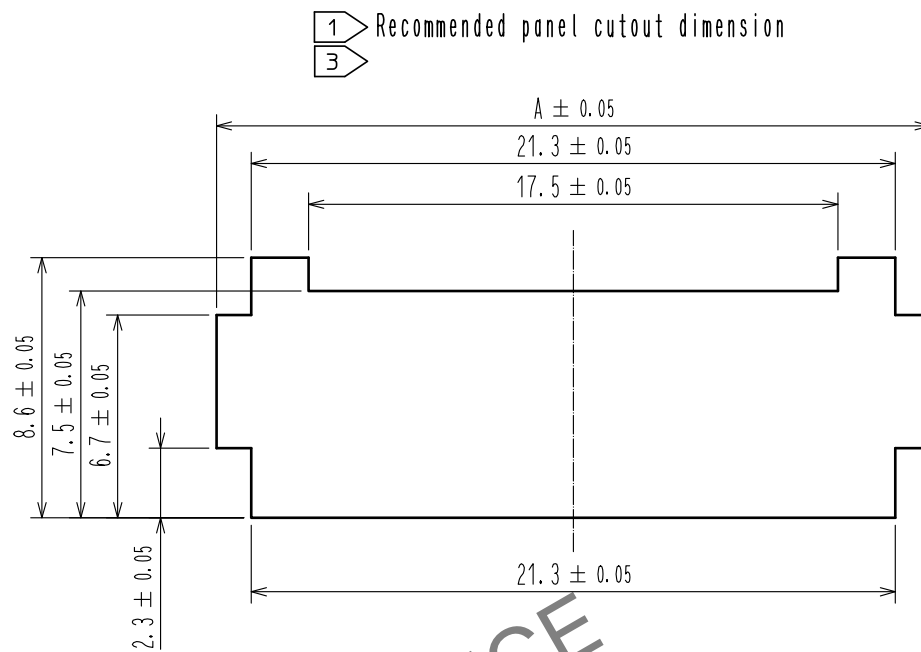
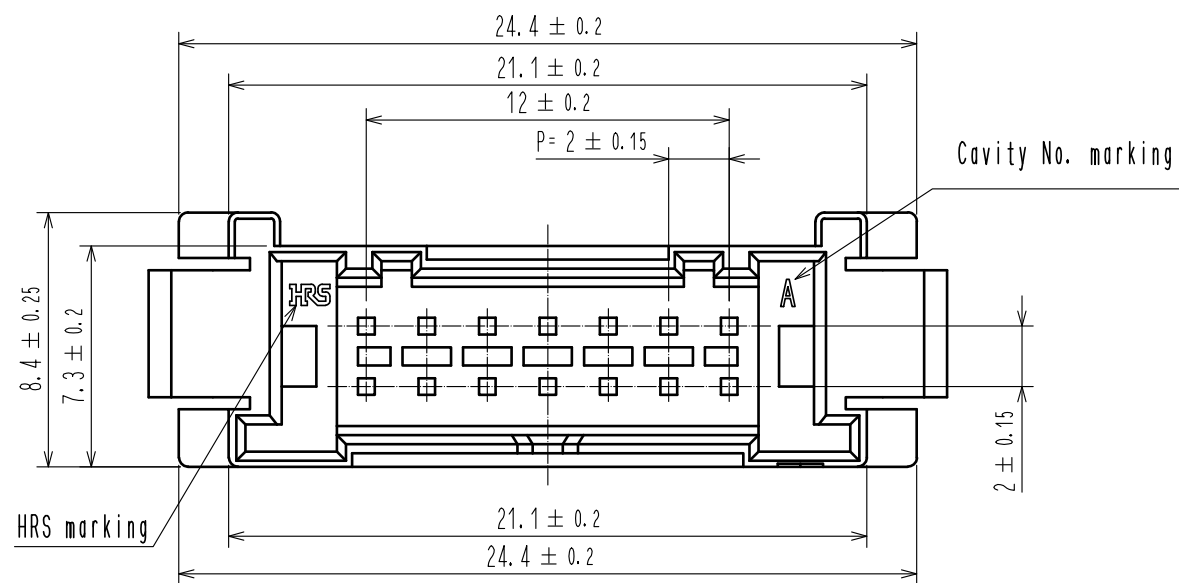
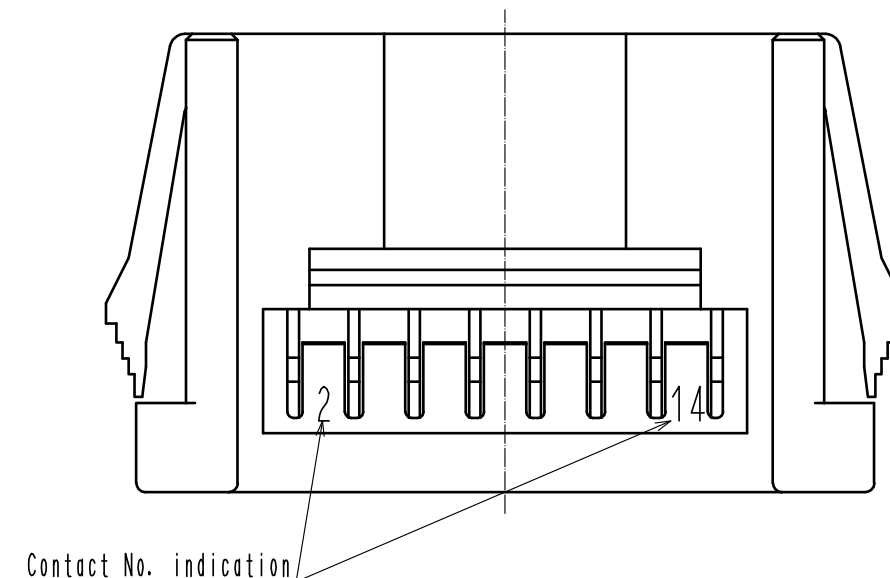
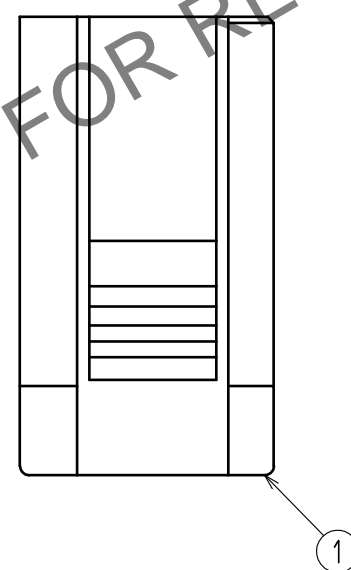
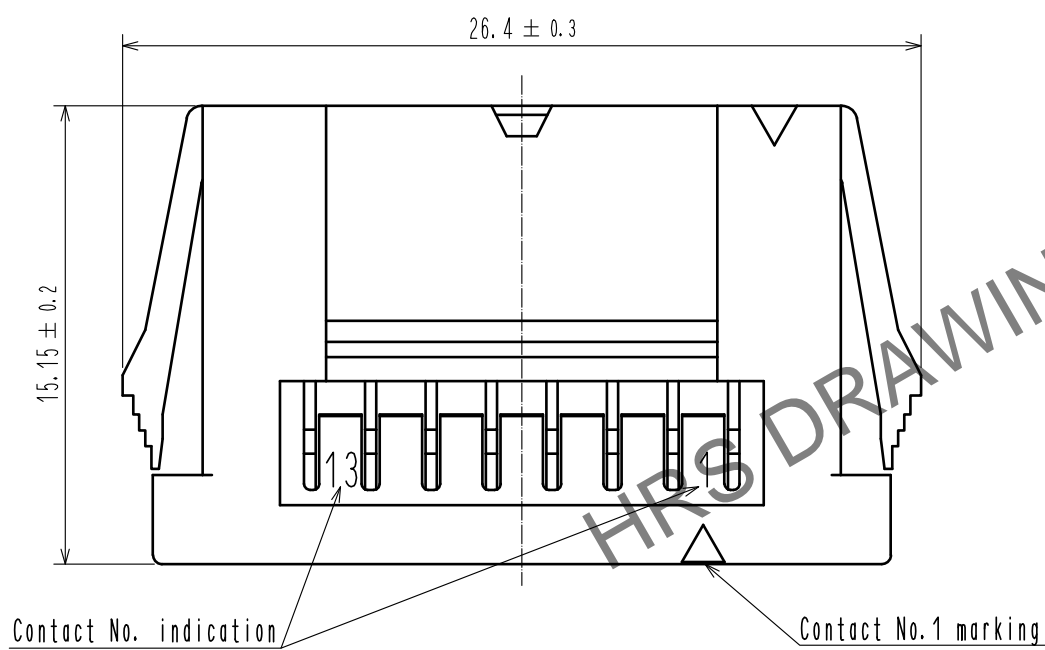


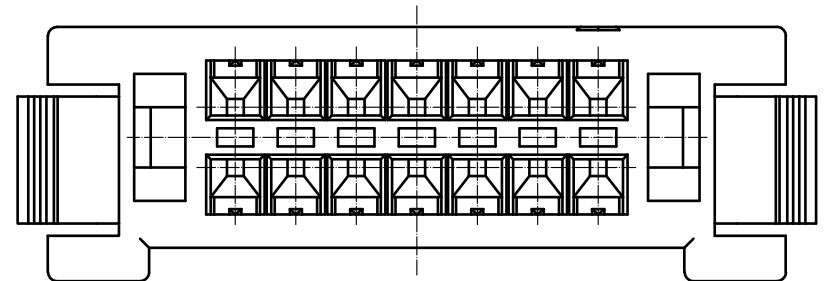
Jan.1.2025 Copyright 2025 HIROSE ELECTRIC CO., LTD. All Rights Reserved.
 In case of consideration for using Automotive equipment / device which demand high reliability, kindly contact our sales window correspondents.



Panel thickness	A
0.5~0.8	23.6
0.9~1.3	24.1
1.4~1.8	24.5
1.9~2.3	24.9



- Note
- 1 Please use non-radius side for the panel hooking area.
 - 2 Applicable panel thicknessing is 2.3 to 0.5 mm.
 - 3 Consult hirose for the other panel cutout designs than recommended one.
 - 4. Per pack : 100 pieces.
 - 5. UL(File No.E52653).
C-UL(File No.E52653) authorization article.



NO.	MATERIAL	FINISH . REMARKS	NO.	MATERIAL	FINISH . REMARKS		
1	PBT			UL94V-0. BLACK			
UNITS	mm	SCALE	COUNT	DESCRIPTION OF REVISIONS	DESIGNED	CHECKED	DATE
		4 : 1	1	DIS-H-00004537	TS.MIYAKI	HS.OKAWA	20181221
APPROVED : HS. OKAWA		20160601		DRAWING NO. EDC-366287-00-00			
CHECKED : YN. TAKASHITA		20160601		PART NO. DF51-14DEP-2C			
DESIGNED : TT. OHSAKO		20160601		CODE NO. CL543-5076-0-00			
DRAWN : TT. OHSAKO		20160601					

