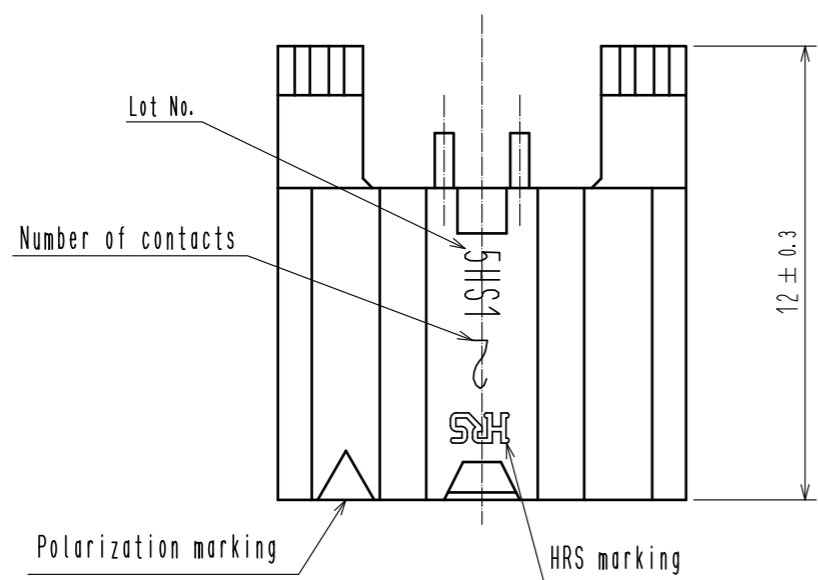
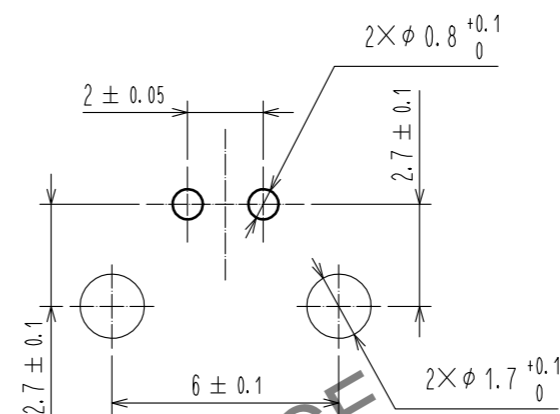


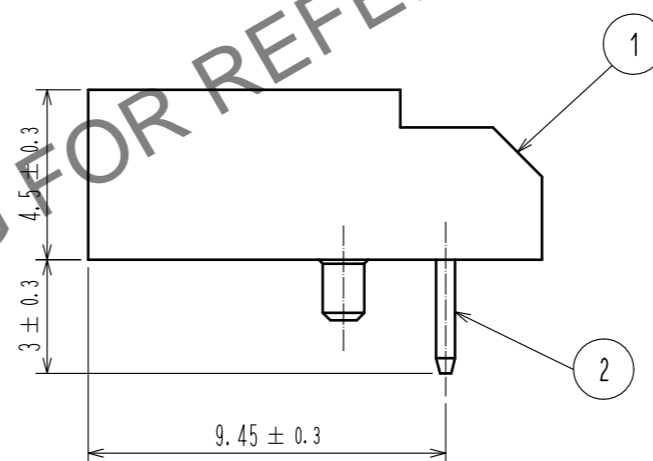
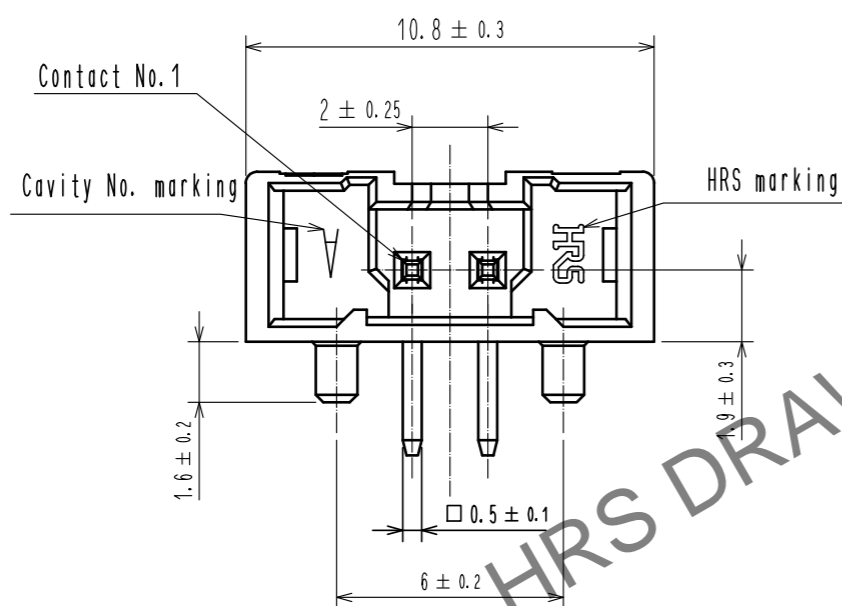
Jan.1.2025 Copyright 2025 HIROSE ELECTRIC CO., LTD. All Rights Reserved.  
In case of consideration for using Automotive equipment / device which demand high reliability, kindly contact our sales window correspondents.



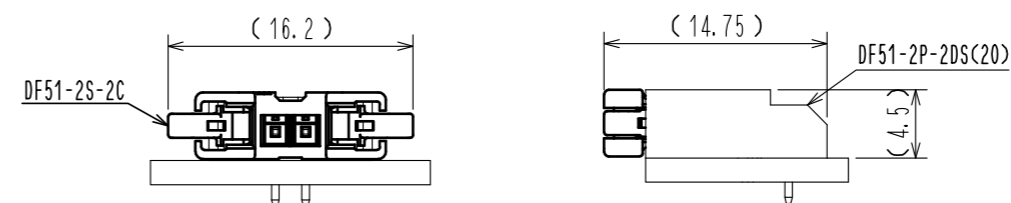
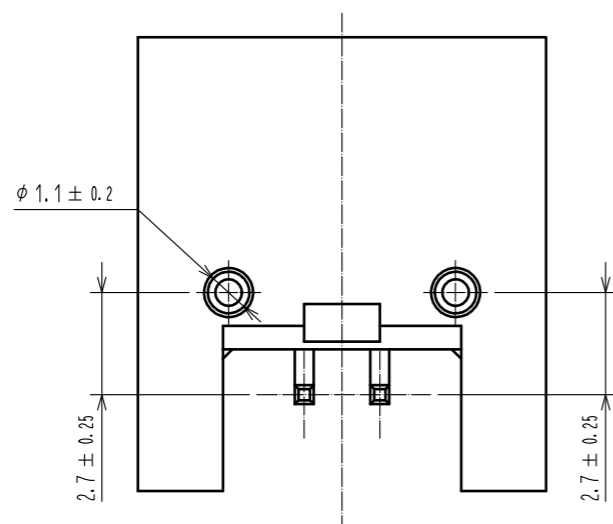
RECOMMENDED PATTERN(FREE)  
(BOARD THICKNESS t=1.6mm)



- Note 1. Per tray : 243 Pieces.  
2. The dimension parenthesis are for reference.  
3. UL(File No.E52653),  
C-UL(File No.E52653) authorization article.



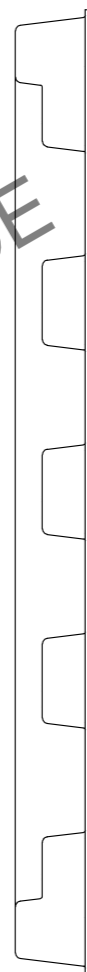
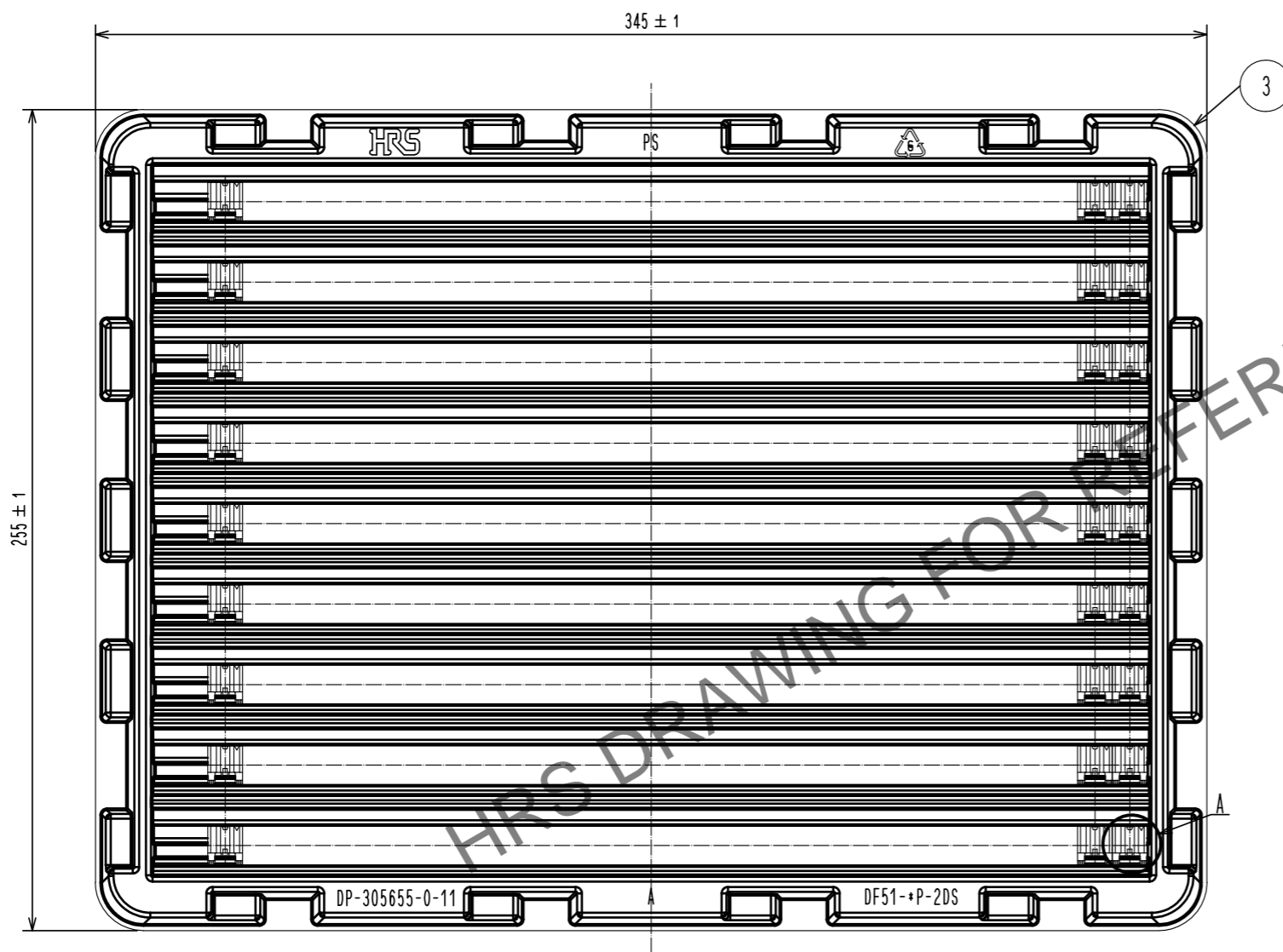
MATING FIGURE(2:1)



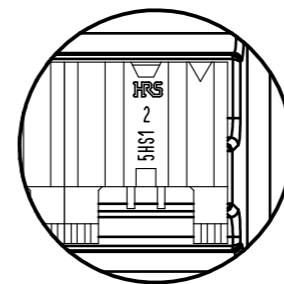
1	PBT	UL94V-0, BLACK	3	PS	WHITE		
2	BRASS		2	BRASS	SURFACE:Sn PLATING 1μm MIN UNDER PLATING:NICKEL PLATING 0.5μm MIN		
NO.	MATERIAL	FINISH, REMARKS	NO.	MATERIAL	FINISH, REMARKS		
UNITS mm		SCALE 5 : 1	COUNT 1	DESCRIPTION OF REVISIONS DIS-H-00004517	DESIGNED TS.MIYAKI	CHECKED HS.OKAWA	DATE 20181217
<b>HRS</b> HIROSE ELECTRIC CO., LTD.		APPROVED : HS. OKAWA	20180405	DRAWING NO. EDC-363919-20-00			
		CHECKED : ST. WADA	20180405	PART NO. DF51-2P-2DS(20)			
		DESIGNED : TH. SATO	20180405	CODE NO. CL543-5110-0-20			
		DRAWN : TH. SATO	20180405	1/2			

Jan.1.2025 Copyright 2025 HIROSE ELECTRIC CO., LTD. All Rights Reserved.  
In case of consideration for using Automotive equipment / device which demand high reliability, kindly contact our sales window correspondents.

PACKING DIAGRAM (1:2)



A(2:1)



<b>HRS</b>	DRAWING NO.	EDC-363919-20-00
	PART NO.	DF51-2P-2DS(20)
	CODE NO.	CL543-5110-0-20
		2/2