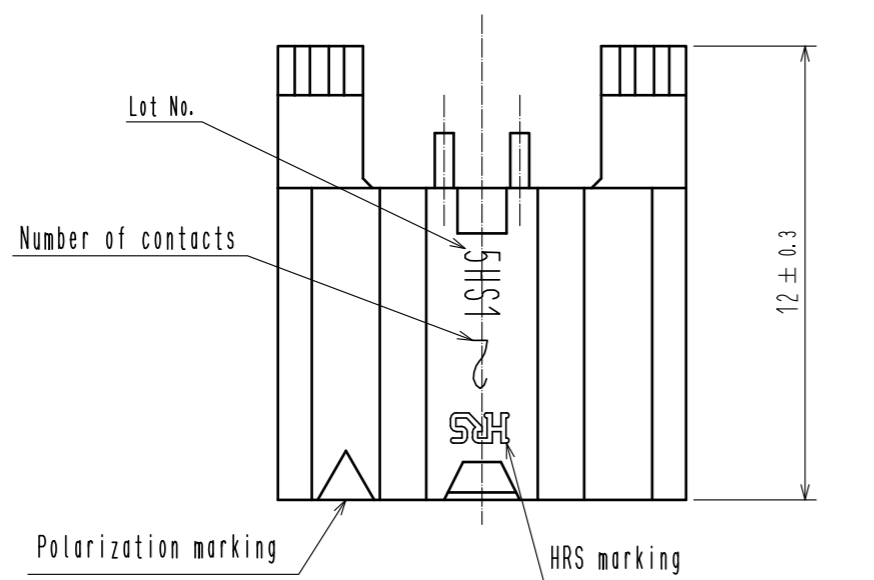
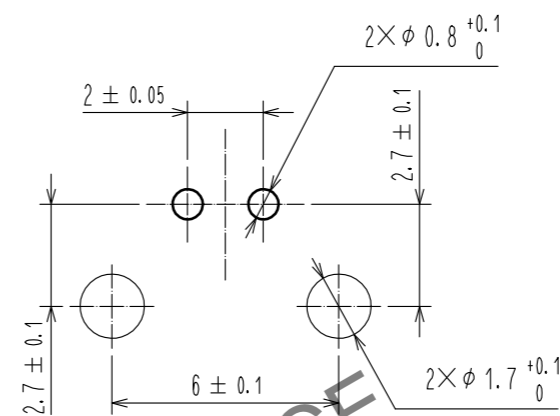


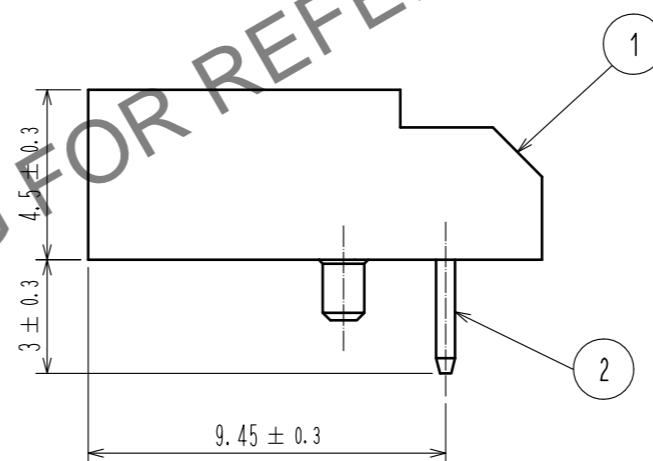
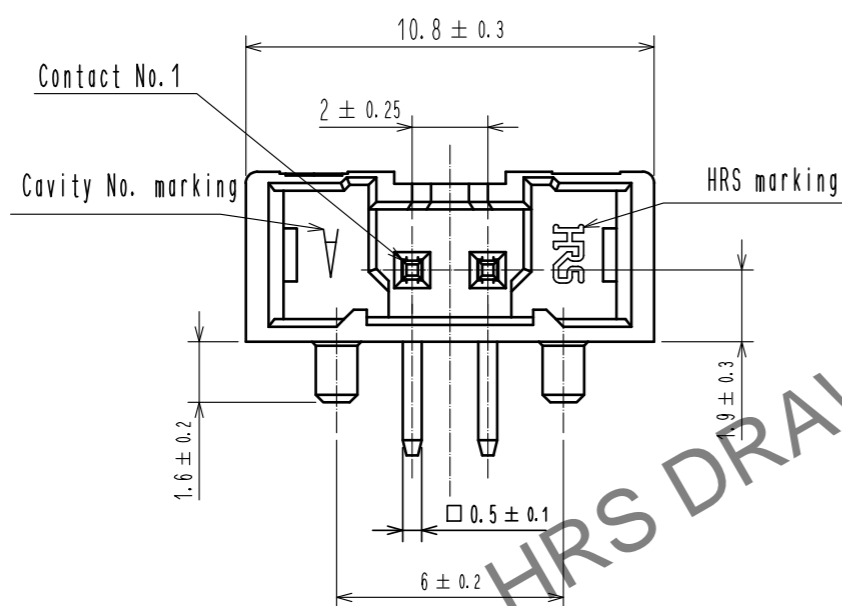
Mar.1.2025 Copyright 2025 HIROSE ELECTRIC CO., LTD. All Rights Reserved.
In case of consideration for using Automotive equipment / device which demand high reliability, kindly contact our sales window correspondents.



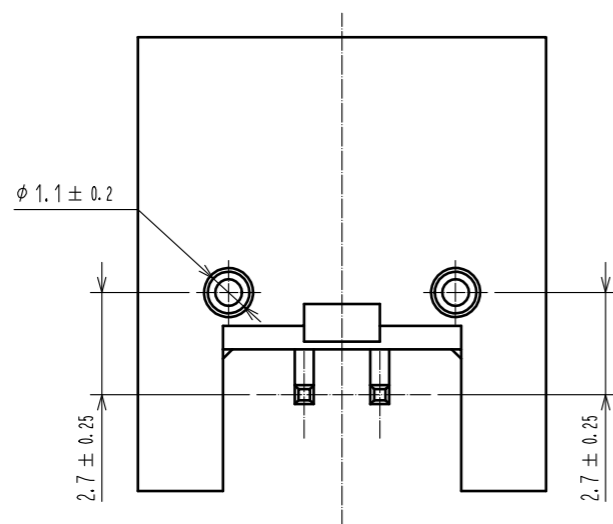
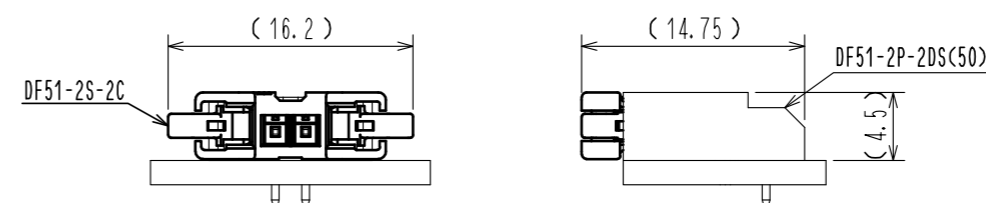
RECOMMENDED PATTERN(FREE)
(BOARD THICKNESS $t=1.6\text{mm}$)



- Note 1. Per tray : 243 Pieces.
 2. The dimension parenthesis are for reference.
 3. UL(File No. E52653),
 C-UL(File No. E52653) authorization article.



MATING FIGURE(2:1)



1	PBT	UL94V-0, BLACK	3	PS	WHITE
2	BRASS		2	BRASS	SURFACE: Au PLATING 0.1 μm MIN UNDER PLATING: NICKEL PLATING 0.5 μm MIN
NO.	MATERIAL	FINISH, REMARKS	NO.	MATERIAL	FINISH, REMARKS
UNITS		SCALE	COUNT	DESCRIPTION OF REVISIONS	
mm		5 : 1	1	DIS-H-00004517	
APPROVED : HS. OKAWA			20180405	DESIGNED	TS. MIYAKI
CHECKED : ST. WADA			20180405	CHECKED	HS. OKAWA
DESIGNED : TH. SATO			20180405	DATE	20181217
DRAWN : TH. SATO			20180405	DRAWING NO. EDC-363919-50-00	
HRS HIROSE ELECTRIC CO., LTD.			PART NO. DF51-2P-2DS(50)		
			CODE NO. CL543-5110-0-50		
			1/2		

Mar.1.2025 Copyright 2025 HIROSE ELECTRIC CO., LTD. All Rights Reserved.
In case of consideration for using Automotive equipment / device which demand high reliability, kindly contact our sales window correspondents.

