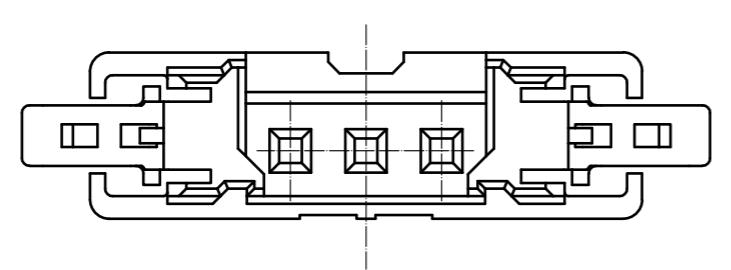
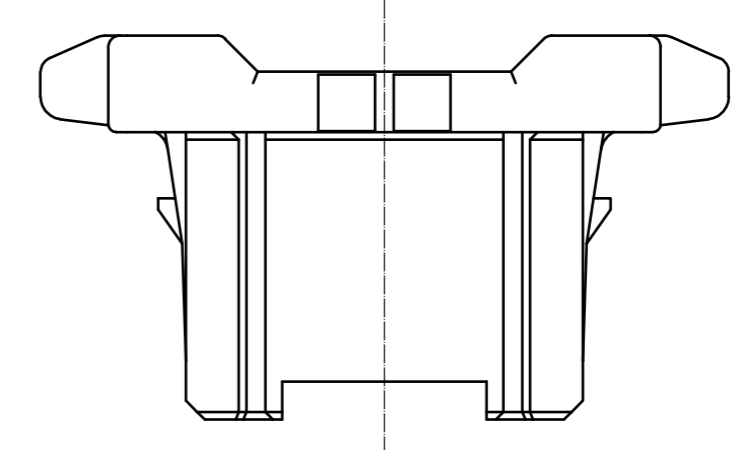
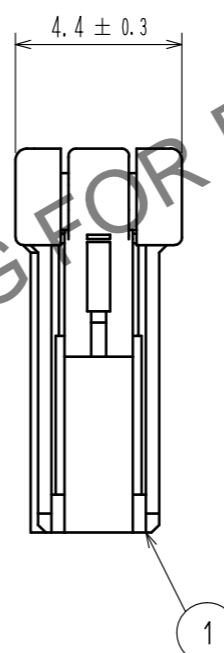
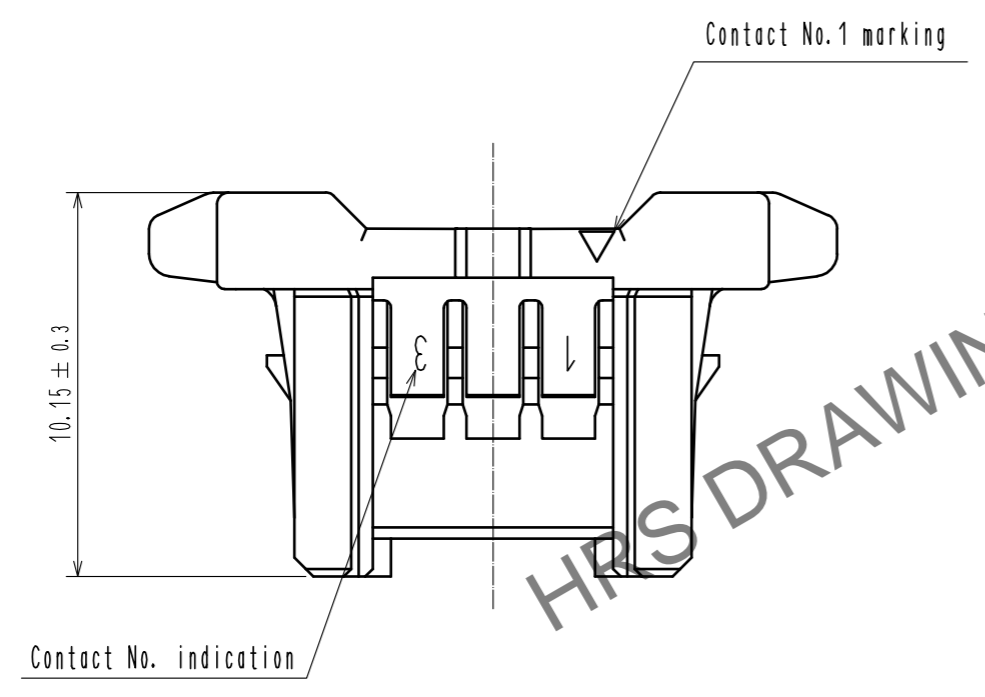
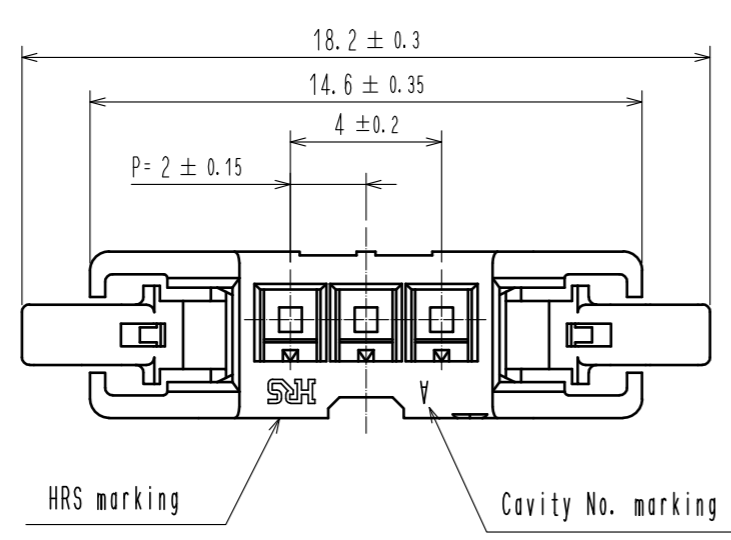


Mar.1.2025 Copyright 2025 HIROSE ELECTRIC CO., LTD. All Rights Reserved.  
In case of consideration for using Automotive equipment / device which demand high reliability, kindly contact our sales window correspondents.



Note 1. Per pack : 100 pieces.  
 2. UL(File No.E52653),  
 C-UL(File No.E52653) authorization article.



NO.		MATERIAL		FINISH . REMARKS		1	PBT	UL94V-0. BLACK
UNITS mm		SCALE 4 : 1	COUNT 1	DESCRIPTION OF REVISIONS DIS-H-00004517		DESIGNED TS.MIYAKI	CHECKED HS.OKAWA	DATE 20181217
<b>HRS</b> HIROSE ELECTRIC CO., LTD.		APPROVED : YN. TAKASHITA	20160127	DRAWING NO. EDC-363930-00-00				
		CHECKED : YN. TAKASHITA	20160127	PART NO. DF51-3S-2C				
		DESIGNED : TT. OHSAKO	20160127	CODE NO. CL543-5121-0-00				
		DRAWN : TT. OHSAKO	20160127			1/1		