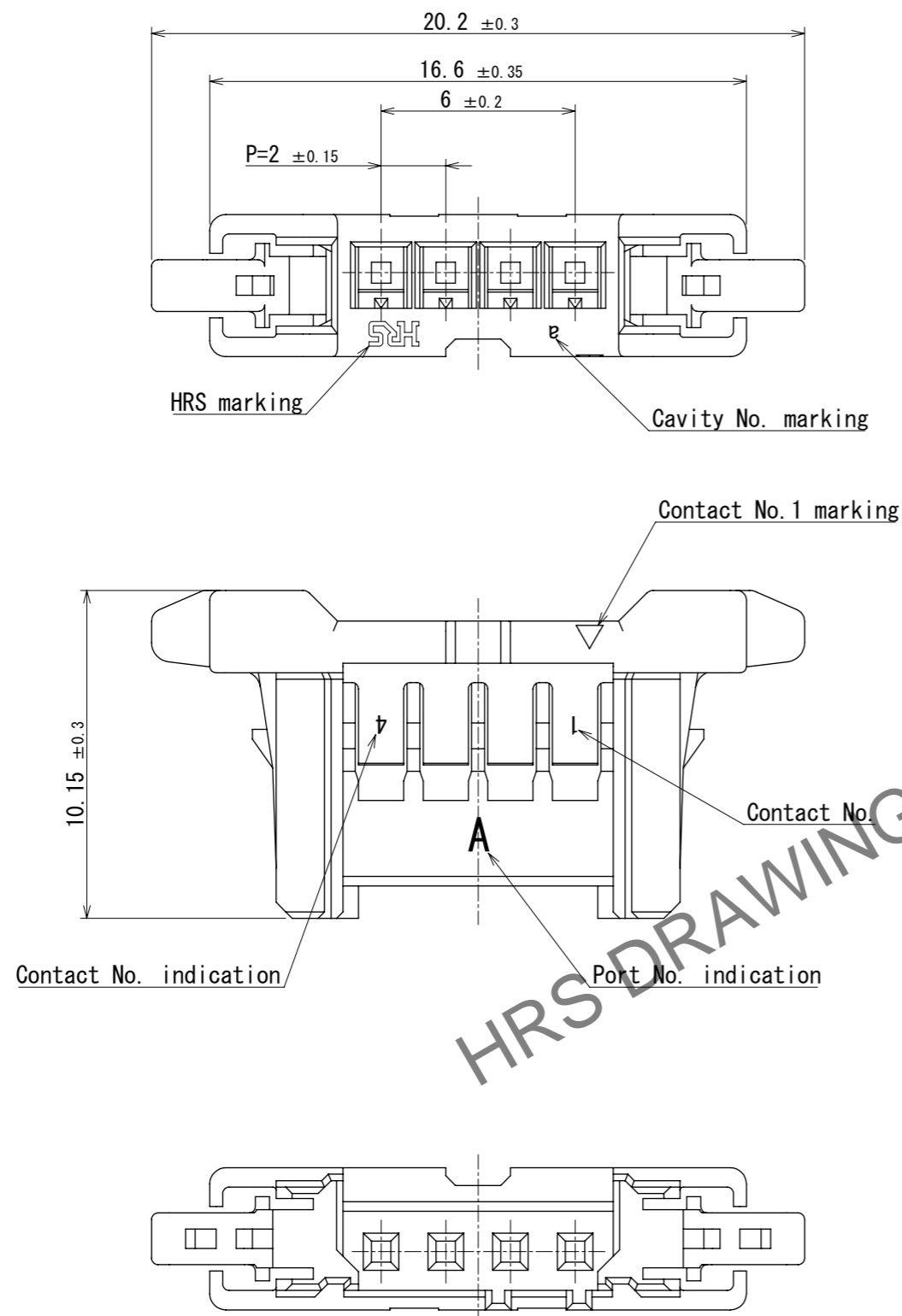


Apr.1.2025 Copyright 2025 HIROSE ELECTRIC CO., LTD. All Rights Reserved.  
In case of consideration for using Automotive equipment / device which demand high reliability, kindly contact our sales window correspondents.



- 注 1. 100 pieces per pack  
 2. Refer to these manuals for handling this connector.  
 Cable assembly : ATAD-H0923-00  
 Mating and unmating operation : ATAD-H0847-00  
 3. There may be slight scratches or dents on the appearance, but this does not affect the function.  
 4. UL (File No. E52653)  
 C-UL (File No. E52653) authorization article



△ 5. Please refer to the technical specification (ATAP-H0957-00) for the packing type.

NO.	MATERIAL	FINISH	REMARKS	NO.	MATERIAL	FINISH	REMARKS
				1	PBT		UL94V-0, BLACK

UNITS	SCALE	COUNT	DESCRIPTION OF REVISIONS	DESIGNED	CHECKED	DATE
mm	5:1	1	DIS-H-00021641	SN. MIWA	TT. OHSAKO	2024. 10. 24

<b>HRS</b> HIROSE ELECTRIC CO., LTD.	APPROVED : SJ. OKAMURA	2024. 10. 01	DRAWING NO.	EDC-405316-00-00
	CHECKED : TT. OHSAKO	2024. 10. 01	PART NO.	DF51BA-4S-2C
	DESIGNED : SN. MIWA	2024. 10. 01	CODE NO.	CL0543-5139-0-00
	DRAWN : SK. CHIBA	2024. 10. 01		