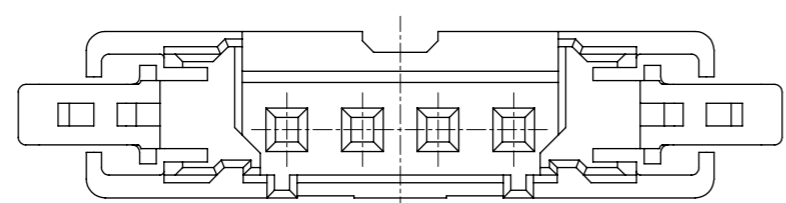
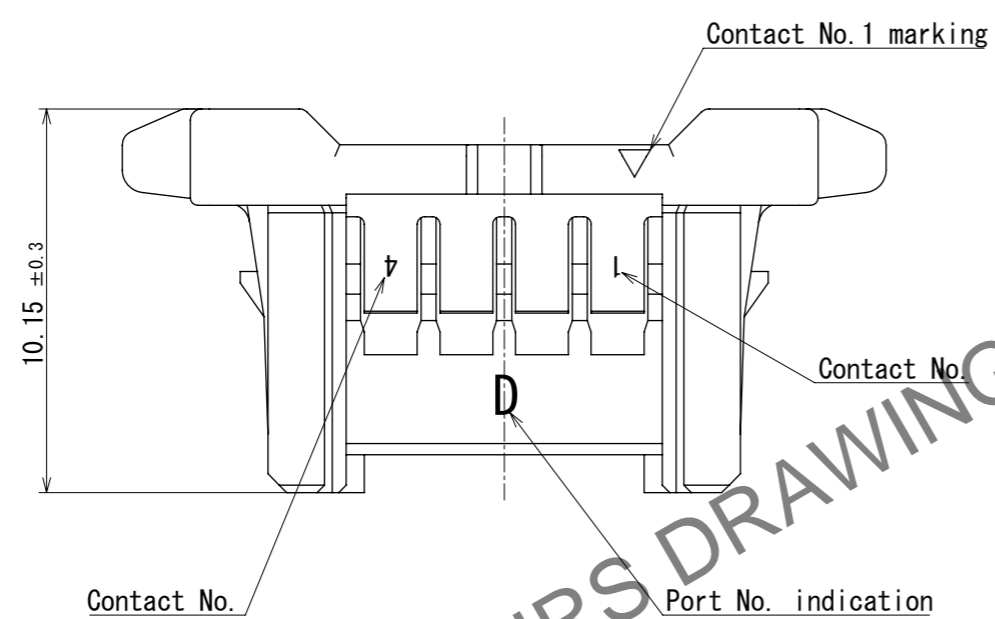
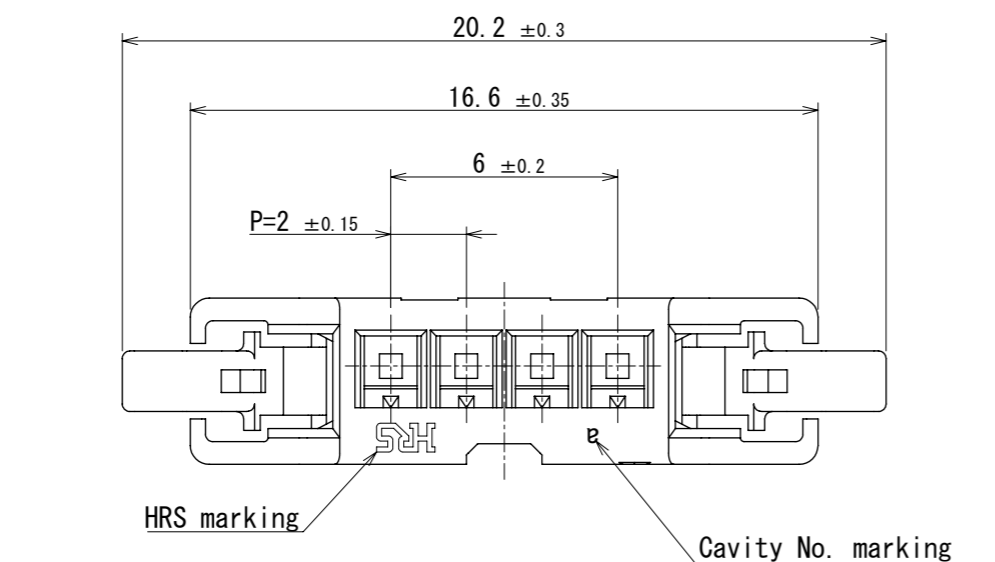





Jan.1.2025 Copyright 2025 HIROSE ELECTRIC CO., LTD. All Rights Reserved.
In case of consideration for using Automotive equipment / device which demand high reliability, kindly contact our sales window correspondents.



HRS DRAWING FOR REFERENCE

- 注 1. 100 pieces per pack
 2. Refer to these manuals for handling this connector.
 Cable assembly : ATAD-H0923-00
 Mating and unmating operation : ATAD-H0847-00
 3. There may be slight scratches or dents on the appearance, but this does not affect the function.
 4. UL (File No.E52653)
 C-UL (File No.E52653) authorization article

 △ 5. Please refer to the technical specification (ATAP-H0957-00) for the packing type.

| | | | | | | | | |
|---|---|------------|-------------|--------------------------|------------------------------|----------|----------------|--------------|
| | | | | | | | | |
| NO. | MATERIAL | FINISH | REMARKS | NO. | MATERIAL | FINISH | REMARKS | |
| | | | | 1 | PBT | | UL94V-0, BLACK | |
| UNITS |  | SCALE | COUNT | DESCRIPTION OF REVISIONS | | DESIGNED | CHECKED | DATE |
| mm | | 5:1 | 1 | DIS-H-00021641 | | SN. MIWA | TT. OHSAKO | 2024. 10. 24 |
|  HIROSE ELECTRIC CO., LTD. | | APPROVED : | SJ. OKAMURA | 2024. 10. 01 | DRAWING NO. EDC-405320-00-00 | | | |
| | | CHECKED : | TT. OHSAKO | 2024. 10. 01 | PART NO. DF51BD-4S-2C | | | |
| | | DESIGNED : | SN. MIWA | 2024. 10. 01 | CODE NO. CL0543-5142-0-00 | | | |
| | | DRAWN : | SK. CHIBA | 2024. 10. 01 | △ 1/1 | | | |