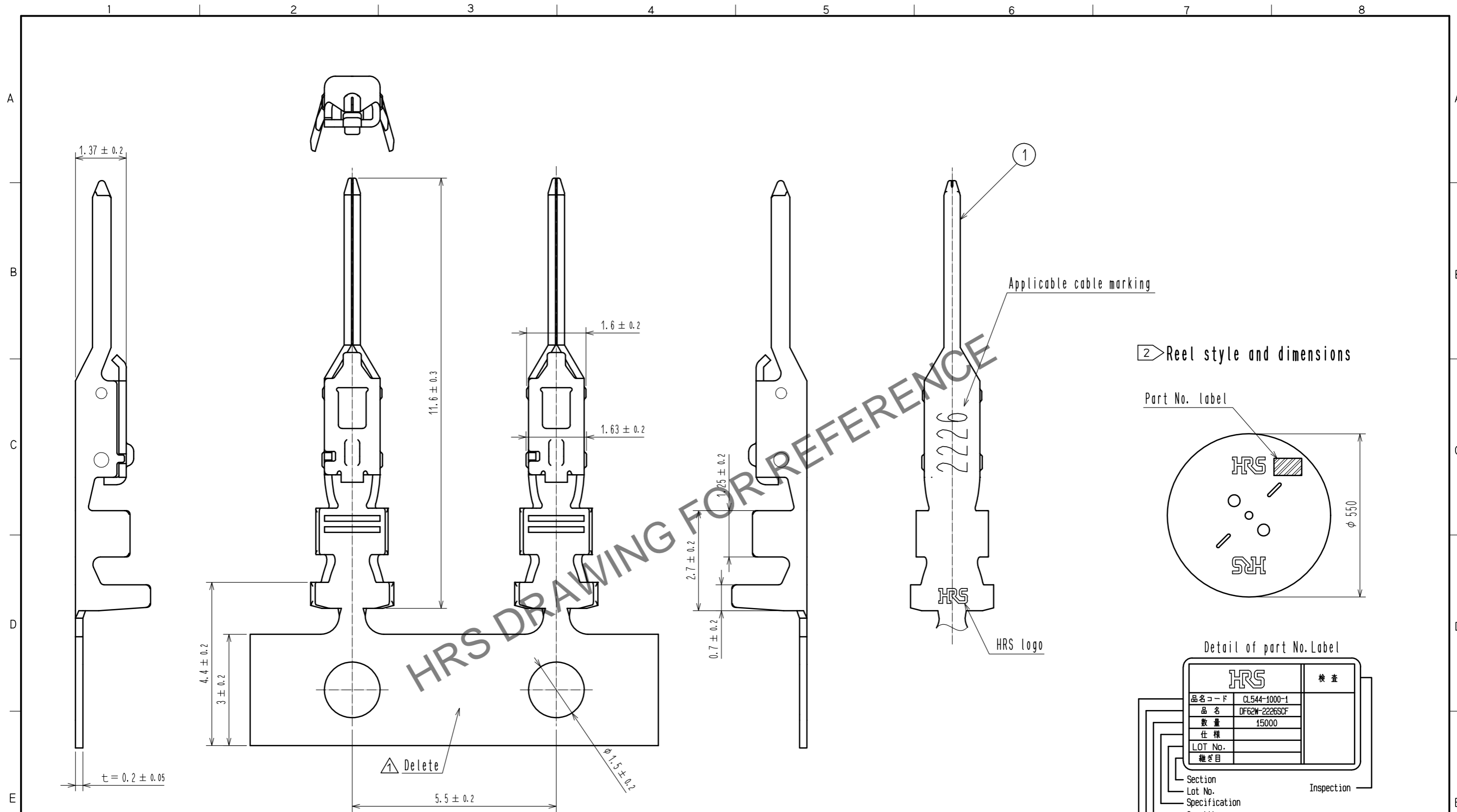


Feb.1.2025 Copyright 2025 HIROSE ELECTRIC CO., LTD. All Rights Reserved.
 In case of consideration for using Automotive equipment / device which demand high reliability, kindly contact our sales window correspondents.



- Notes
- 1RL : 15000 contacts.
 - ② Style of reel and box are shown in figure.
 - Up to 5 reels are packed up in one box.
 - Please be sure to check the form of crimping using a cable when you adjust applicator.
 - Always refer to the manuals below for operation of this product.
 For Cable assembly / Cable assembly procedure ETAD-H0760
 For Mating/Unmating / Operation manual ETAD-H0761

NO.		MATERIAL		FINISH . REMARKS		1	Phosphor bronze	Tin plating : 1μm MIN		
UNITS mm		SCALE 10 : 1		COUNT 1		DESCRIPTION OF REVISIONS DIS-H-00001435		DESIGNED YK. YAMAGUCHI	CHECKED TS. FUKUSHIMA	DATE 16.03.04
APPROVED : KI. AKIYAMA		14.01.15		DRAWING NO.		EDC-353516-00-00				
CHECKED : MN. KENJO		14.01.15		PART NO.		DF62W-EP2226PCF				
DESIGNED : KT. ISHII		14.01.14		CODE NO.		CL544-1001-4-00				
DRAWN : KT. ISHII		14.01.14		NO.		①/1				