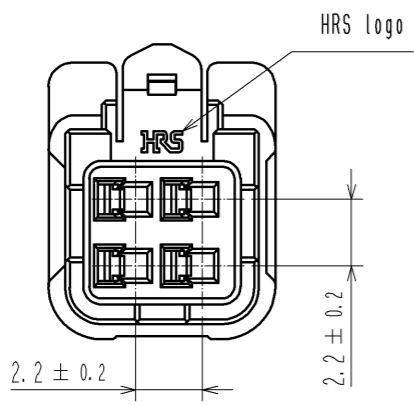
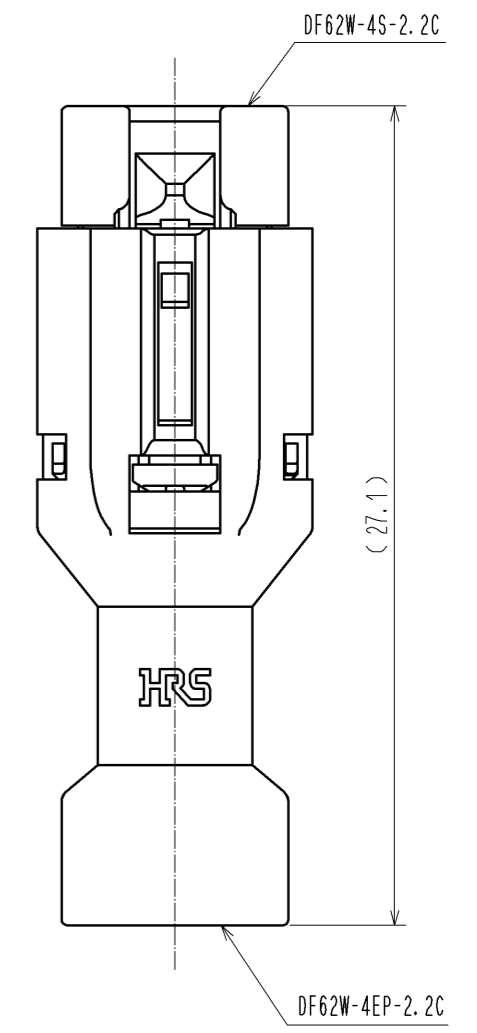
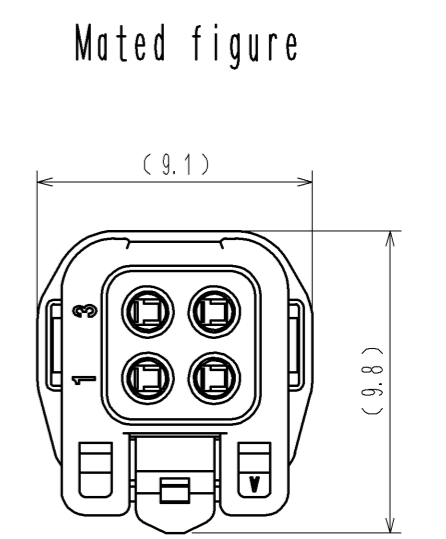
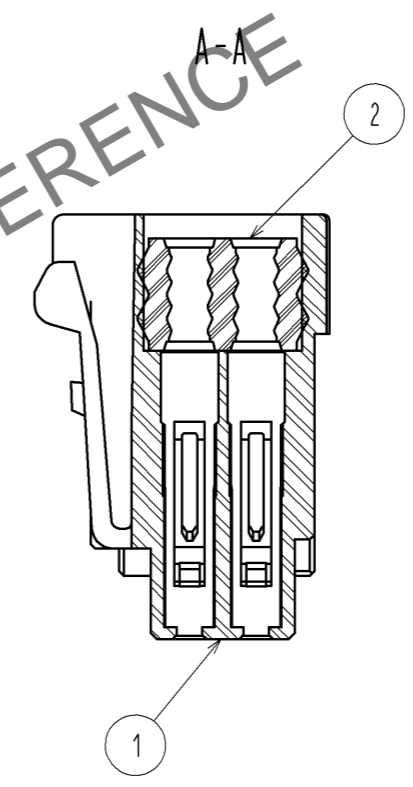
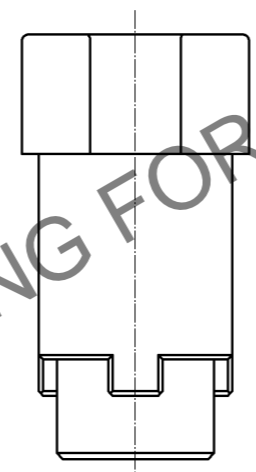
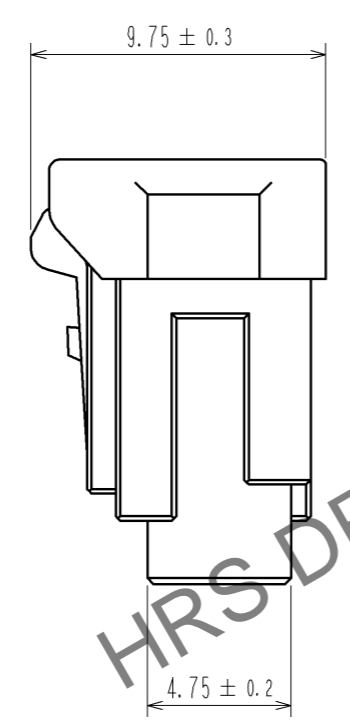
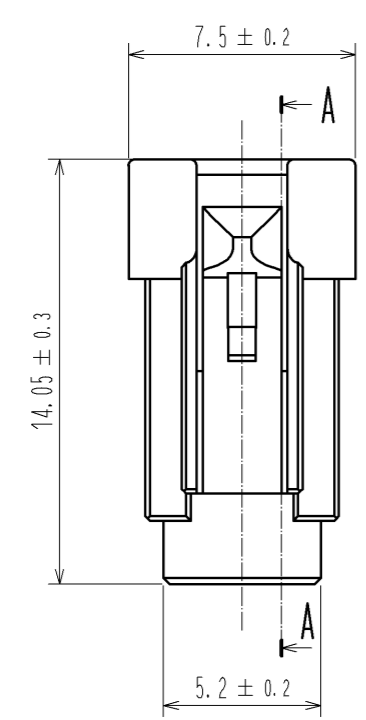
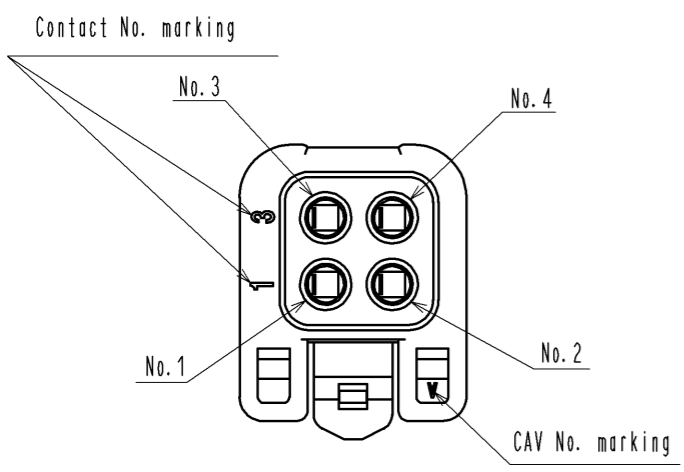


Jan.1.2025 Copyright 2025 HIROSE ELECTRIC CO., LTD. All Rights Reserved.
 In case of consideration for using Automotive equipment / device which demand high reliability, kindly contact our sales window correspondents.



Notes.
 1. 100 pcs. / bag
 2. The dimensions in parenthesis are reference dimensions.
 3. Always refer to the manuals below for operation of this product.
 For cable assembly / Cable assembly procedure ETAD-H0760
 For mating/unmating / Operation manual ETAD-H0761

1	PBT	UL94V-0 (White)	2	Silicone rubber	Bengala
NO.	MATERIAL	FINISH . REMARKS	NO.	MATERIAL	FINISH . REMARKS
UNITS mm		SCALE 4 : 1	COUNT 	DESCRIPTION OF REVISIONS	DESIGNED
		APPROVED : KI. AKIYAMA	14.05.15	DRAWING NO.	EDC3-353725-00
HIROSE ELECTRIC CO., LTD.		CHECED : HK. UMEHARA	14.05.15	PART NO.	DF62W-4S-2.2C
		DESIGNED : KT. ISHII	14.05.14	CODE NO.	CL544-1006-8-00
		DRAWN : KT. ISHII	14.05.14		