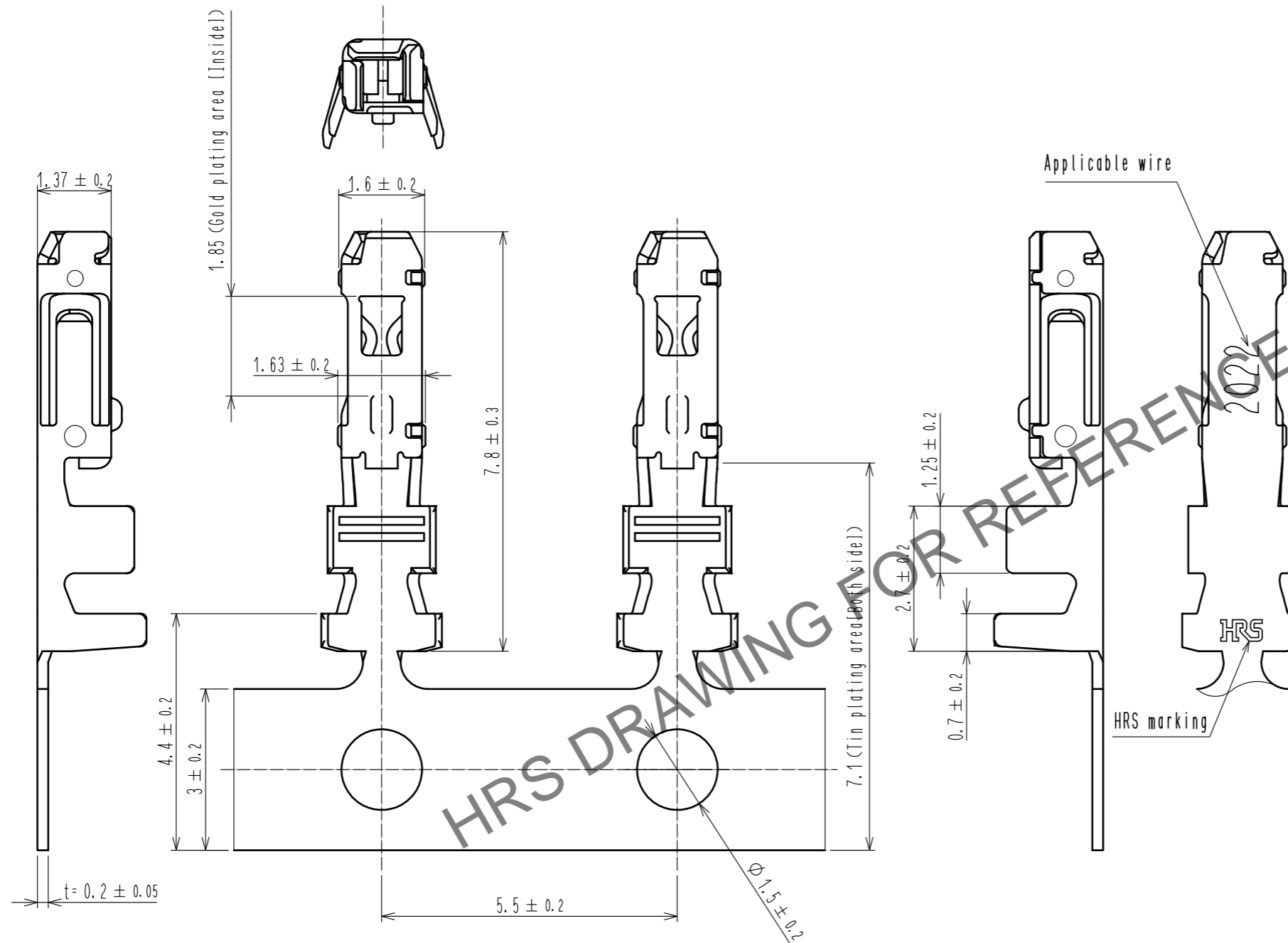
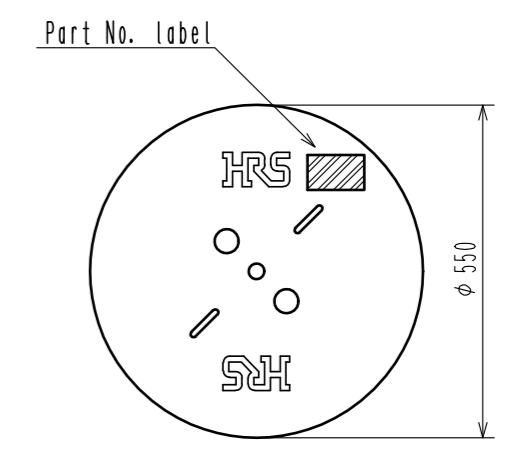


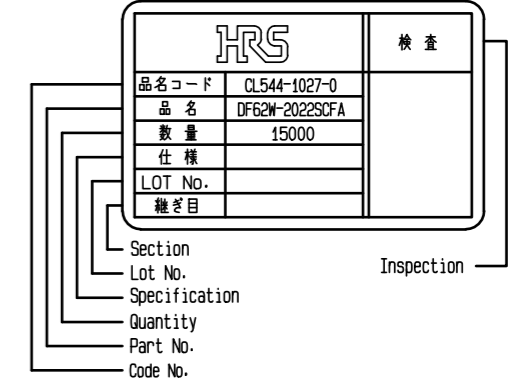
Jan.1.2025 Copyright 2025 HIROSE ELECTRIC CO., LTD. All Rights Reserved.
In case of consideration for using Automotive equipment / device which demand high reliability, kindly contact our sales window correspondents.



2 Reel style and dimensions



Detail of part No. Label



Notes

1. 1RL : 15000 contacts.
2. Style of reel and box are shown in figure.
3. Up to 5 reels are packed up in one box.
4. Please be sure to check the form of crimping using a cable when you adjust applicator.
5. Always refer to the manuals below for operation of this product.
For Cable assembly / Cable assembly procedure ETAD-H0760
For Mating/Unmating / Operation manual ETAD-H0761

NO.		MATERIAL		FINISH . REMARKS		NO.		MATERIAL		FINISH . REMARKS					
UNITS mm				SCALE 10 : 1		COUNT		DESCRIPTION OF REVISIONS		DESIGNED		CHECKED		DATE	
		HIROSE ELECTRIC CO., LTD.		APPROVED : KI. AKIYAMA		16.02.17		DRAWING NO.		EDC-364717-00-00		PART NO.		DF62W-2022SCFA	
				CHECKED : TS. FUKUSHIMA		16.02.16		DESIGNED : YK. YAMAGUCHI		16.02.16		CODE NO.		CL544-1027-0-00	
				DRAWN : YK. YAMAGUCHI		16.02.16								1/1	