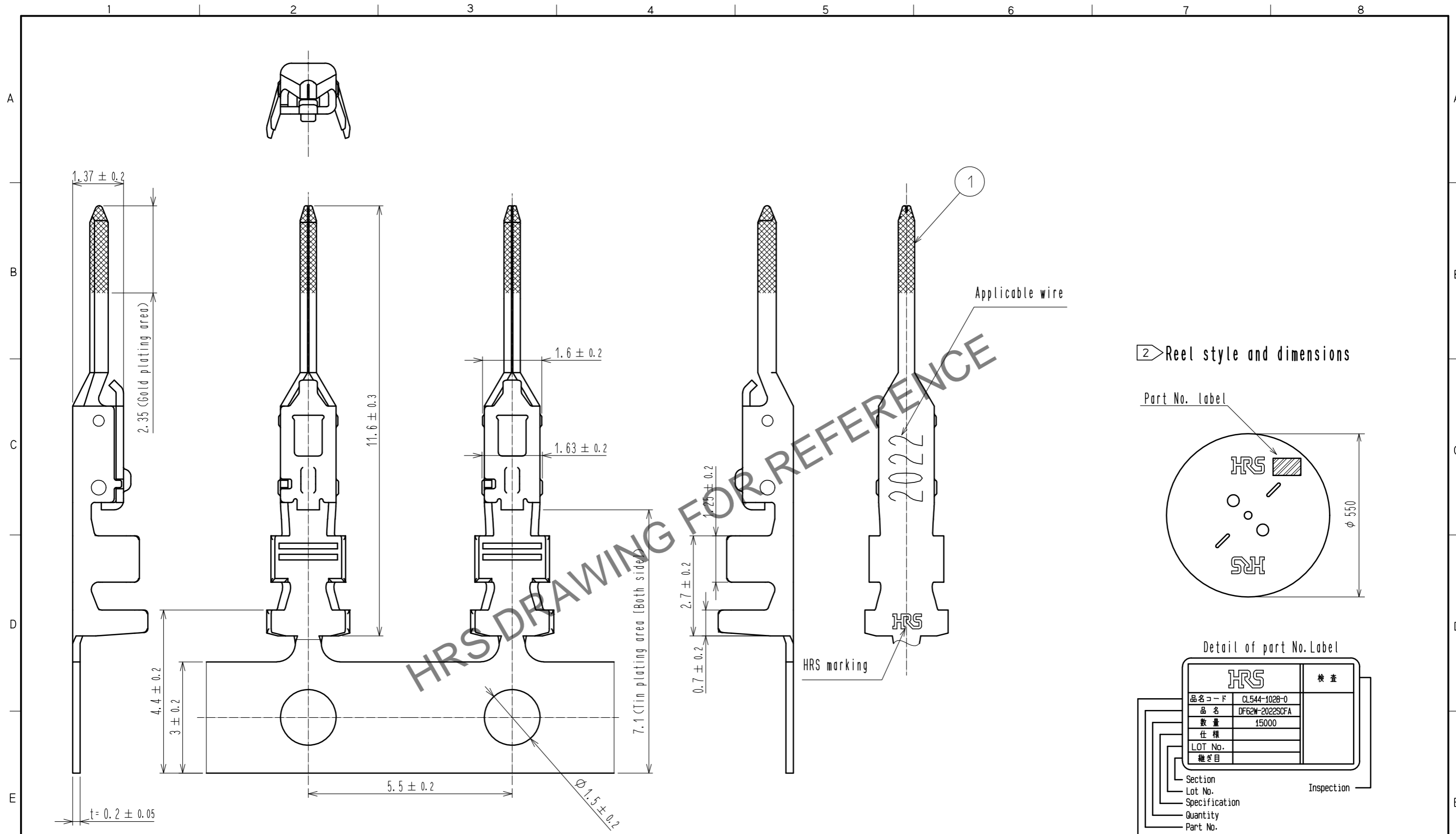


Feb.1.2025 Copyright 2025 HIROSE ELECTRIC CO., LTD. All Rights Reserved.
 In case of consideration for using Automotive equipment / device which demand high reliability, kindly contact our sales window correspondents.



- Notes
- 1RL : 15000 contacts.
 - Style of reel and box are shown in figure.
 - Up to 5 reels are packed up in one box.
 - Please be sure to check the form of crimping using a cable when you adjust applicator.
 - Always refer to the manuals below for operation of this product.
 For Cable assembly / Cable assembly procedure ETAD-H0760
 For Mating/Unmating / Operation manual ETAD-H0761

1	Phosphor bronze	Contact area : Gold plating 0.2μm min Carrier/Barrel area : Tin plating 1μm min Others : Nichel plating 0.5μm min
---	-----------------	---

NO.	MATERIAL	FINISH . REMARKS	NO.	MATERIAL	FINISH . REMARKS		
UNITS mm		SCALE 10 : 1	COUNT	DESCRIPTION OF REVISIONS	DESIGNED	CHECKED	DATE
HRS HIROSE ELECTRIC CO., LTD.		APPROVED : KI. AKIYAMA	16.02.17	DRAWING NO.	EDC-364718-00-00		
		CHECED : TS. FUKUSHIMA	16.02.16	PART NO.	DF62W-EP2022PCFA		
		DESIGNED : YK. YAMAGUCHI	16.02.16	CODE NO.	CL544-1028-0-00		
		DRAWN : YK. YAMAGUCHI	16.02.16				