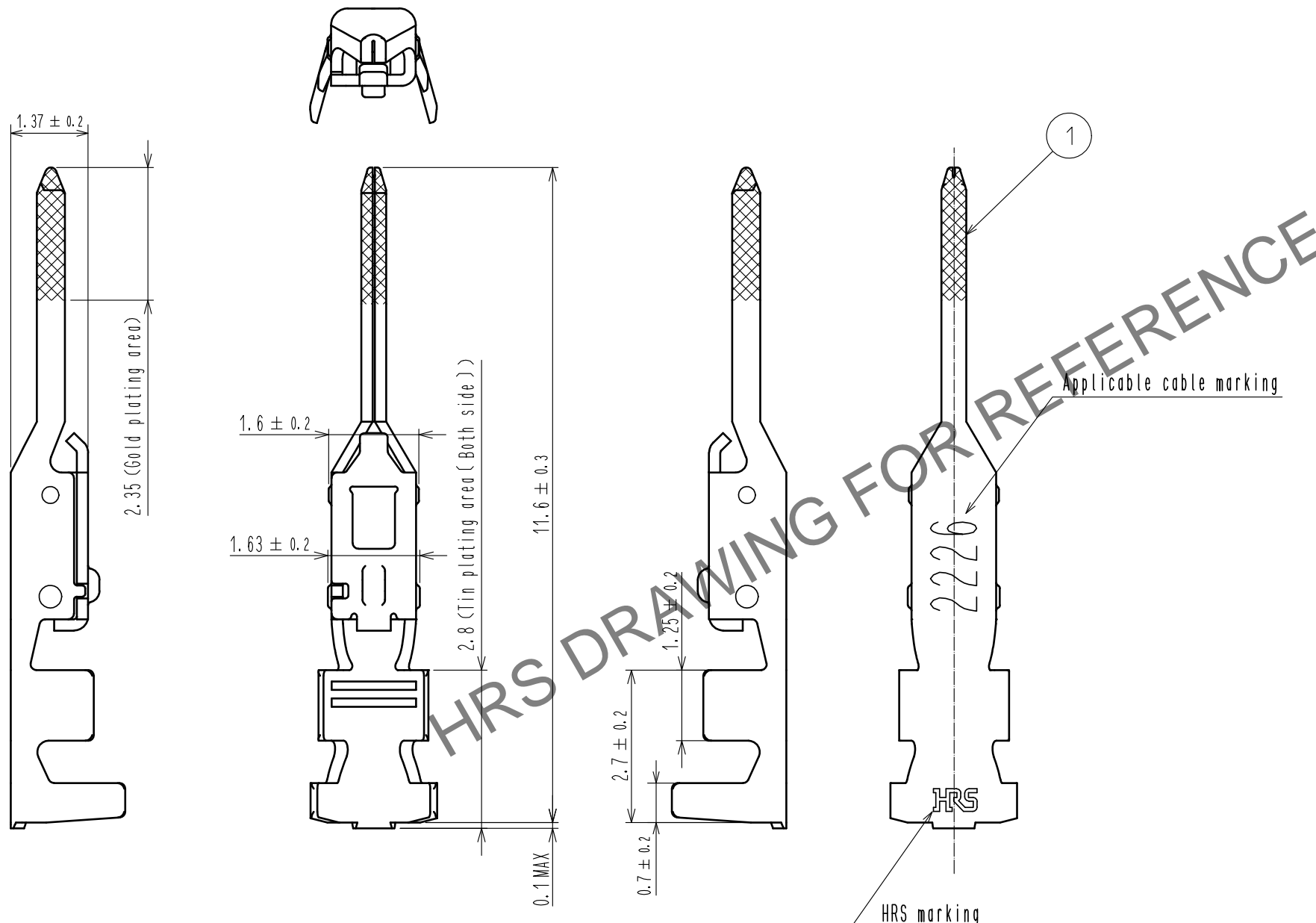


Feb.1.2025 Copyright 2025 HIROSE ELECTRIC CO., LTD. All Rights Reserved.
 In case of consideration for using Automotive equipment / device which demand high reliability, kindly contact our sales window correspondents.



Note 1. Per pack : 100 pieces.

NO. 1		MATERIAL Phosphor bronze		FINISH . REMARKS Contact area:Gold plating 0.2μm min Barrel area :Tin plating 1μm min Others : Nickel plating 0.5 μm min		
UNITS mm		SCALE 10:1	COUNT 	DESIGNED	CHECKED	DATE
HRS HIROSE ELECTRIC CO., LTD.		APPROVED : HS. OKAWA	17.06.07	DRAWING NO. EDC-372896-00-00		
		CHECKED : TS. FUKUSHIMA	17.06.07	PART NO. DF62W-EP2226PCA		
		DESIGNED : HT. SATO	17.06.06	CODE NO. CL544-1042-0-00		
		DRAWN : MI. SAKIMURA	17.06.06	1/1		