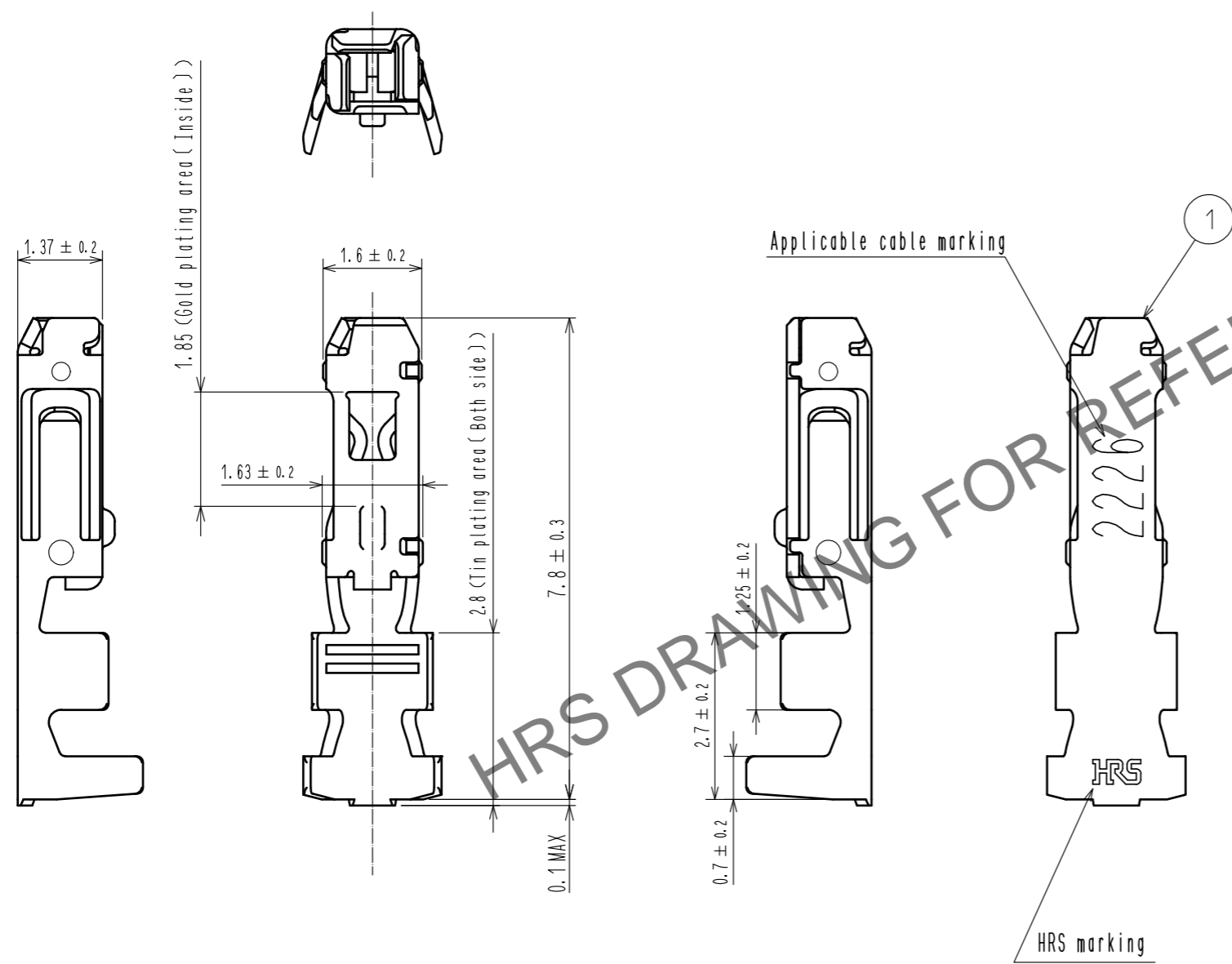


May.1.2025 Copyright 2025 HIROSE ELECTRIC CO., LTD. All Rights Reserved.
 In case of consideration for using Automotive equipment / device which demand high reliability, kindly contact our sales window correspondents.



Note 1. Per pack : 100 pieces.

NO.		MATERIAL		FINISH . REMARKS		NO.		MATERIAL		FINISH . REMARKS	
1		Phosphor bronze		Contact area:Gold plating 0.2μm min Barrel area :Tin plating 1μm min Others : Nickel plating 0.5 μm min							
UNITS	mm	SCALE	10:1	COUNT	DESCRIPTION OF REVISIONS	DESIGNED	CHECKED	DATE			
HRS HIROSE ELECTRIC CO., LTD.		APPROVED	: HS. OKAWA	17.06.07	DRAWING NO.	EDC-372898-00-00					
		CHECKED	: TS. FUKUSHIMA	17.06.07	PART NO.	DF62W-2226SCA					
		DESIGNED	: HT. SATO	17.06.06	CODE NO.	CL544-1044-0-00					
		DRAWN	: MI. SAKIMURA	17.06.06							