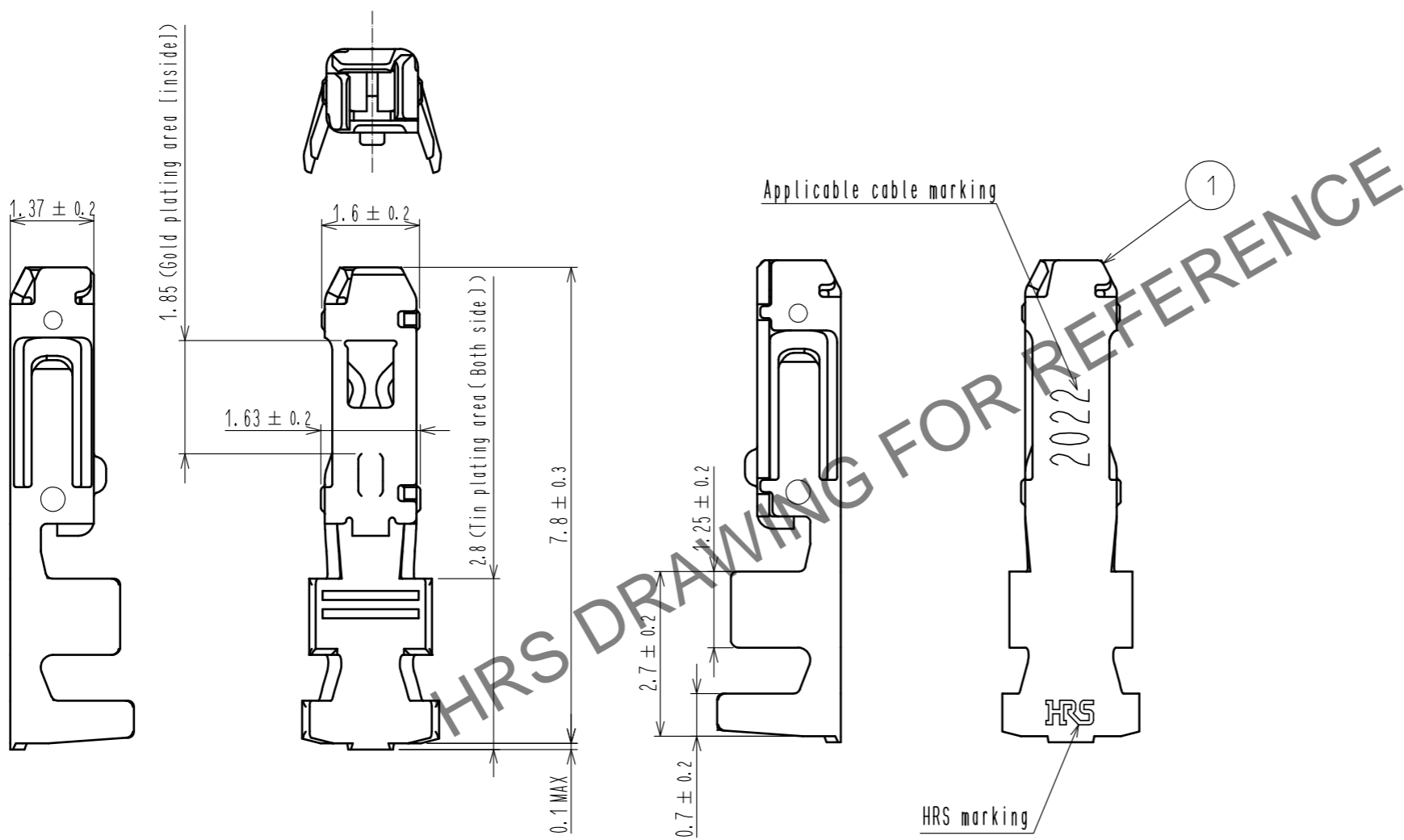


Jan.1.2025 Copyright 2025 HIROSE ELECTRIC CO., LTD. All Rights Reserved.
 In case of consideration for using Automotive equipment / device which demand high reliability, kindly contact our sales window correspondents.



Note 1. Per pack : 100 pieces.

NO.		MATERIAL		FINISH . REMARKS		NO.		MATERIAL		FINISH . REMARKS					
1		Phosphor bronze		Contact area:Gold plating 0.2μm min Barrel area :Tin plating 1μm min Others : Nickel plating 0.5 μm min											
UNITS mm				SCALE 10 : 1		COUNT 		DESCRIPTION OF REVISIONS		DESIGNED		CHECKED		DATE	
		HIROSE ELECTRIC CO., LTD.		APPROVED : HS. OKAWA		17.06.07		DRAWING NO.		EDC-372899-00-00					
				CHECKED : TS. FUKUSHIMA		17.06.07		PART NO.		DF62W-2022SCA					
				DESIGNED : HT. SATO		17.06.06		CODE NO.		CL544-1045-0-00					
				DRAWN : MI. SAKIMURA		17.06.06								1/1	