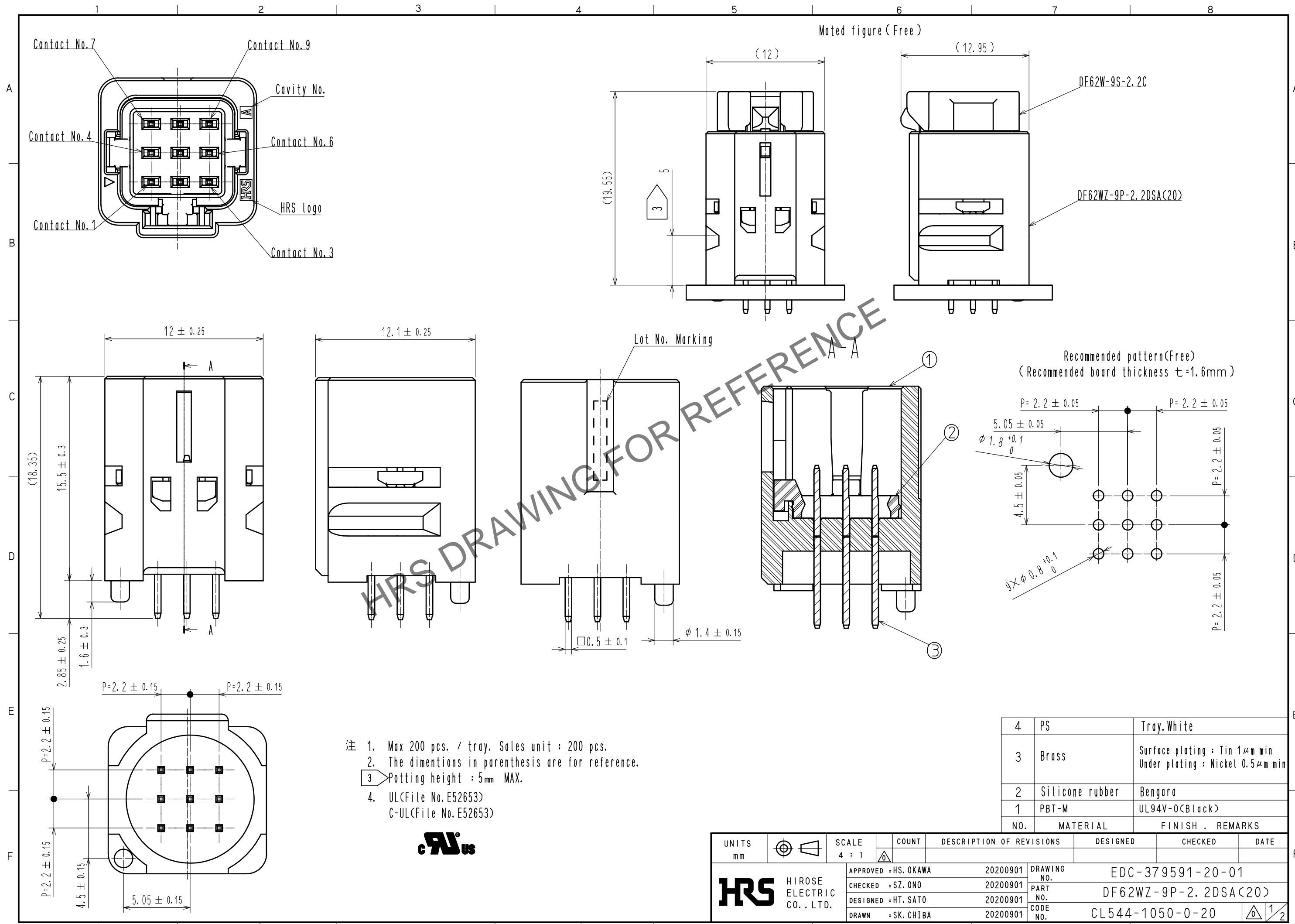


Feb.1.2025 Copyright 2025 HIROSE ELECTRIC CO., LTD. All Rights Reserved.
In case of consideration for using Automotive equipment / device which demand high reliability, kindly contact our sales window correspondents.



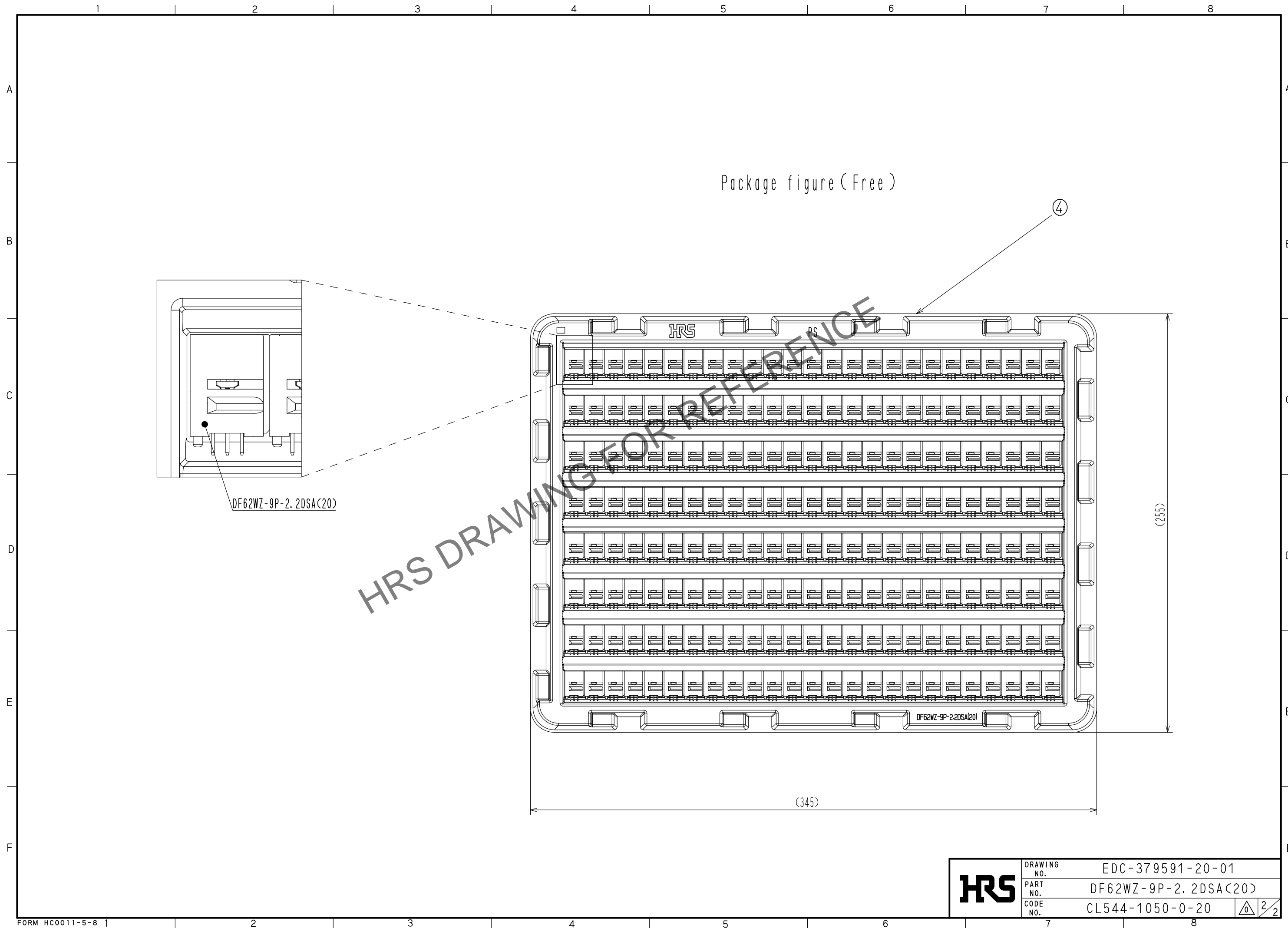
- 注 1. Max 200 pcs. / tray. Sales unit : 200 pcs.
 2. The dimentions in parenthesis are for reference.
 3. Potting height : 5mm MAX.
 4. UL(File No. E52653)
 C-UL(File No. E52653)



NO.	MATERIAL	FINISH . REMARKS
4	PS	Tray, White
3	Brass	Surface plating : Tin 1μm min Under plating : Nickel 0.5μm min
2	Silicone rubber	Bengara
1	PBT-M	UL94V-0(Black)

UNITS	SCALE	COUNT	DESCRIPTION OF REVISIONS	DESIGNED	CHECKED	DATE
mm	4 : 1	△	APPROVED : HS. OKAWA 20200901			
			CHECKED : SZ. ONO 20200901			
			DESIGNED : HT. SATO 20200901			
			DRAWN : SK. CHIBA 20200901			
HIROSE ELECTRIC CO., LTD.			DRAWING NO. EDC-379591-20-01 PART NO. DF62WZ-9P-2.2DSA(20) CODE NO. CL544-1050-0-20	1/2		

Feb.1.2025 Copyright 2025 HIROSE ELECTRIC CO., LTD. All Rights Reserved.
In case of consideration for using Automotive equipment / device which demand high reliability, kindly contact our sales window correspondents.



HRS	DRAWING NO.	EDC-379591-20-01
	PART NO.	DF62WZ-9P-2.2DSA(20)
	CODE NO.	CL544-1050-0-20
		2/2