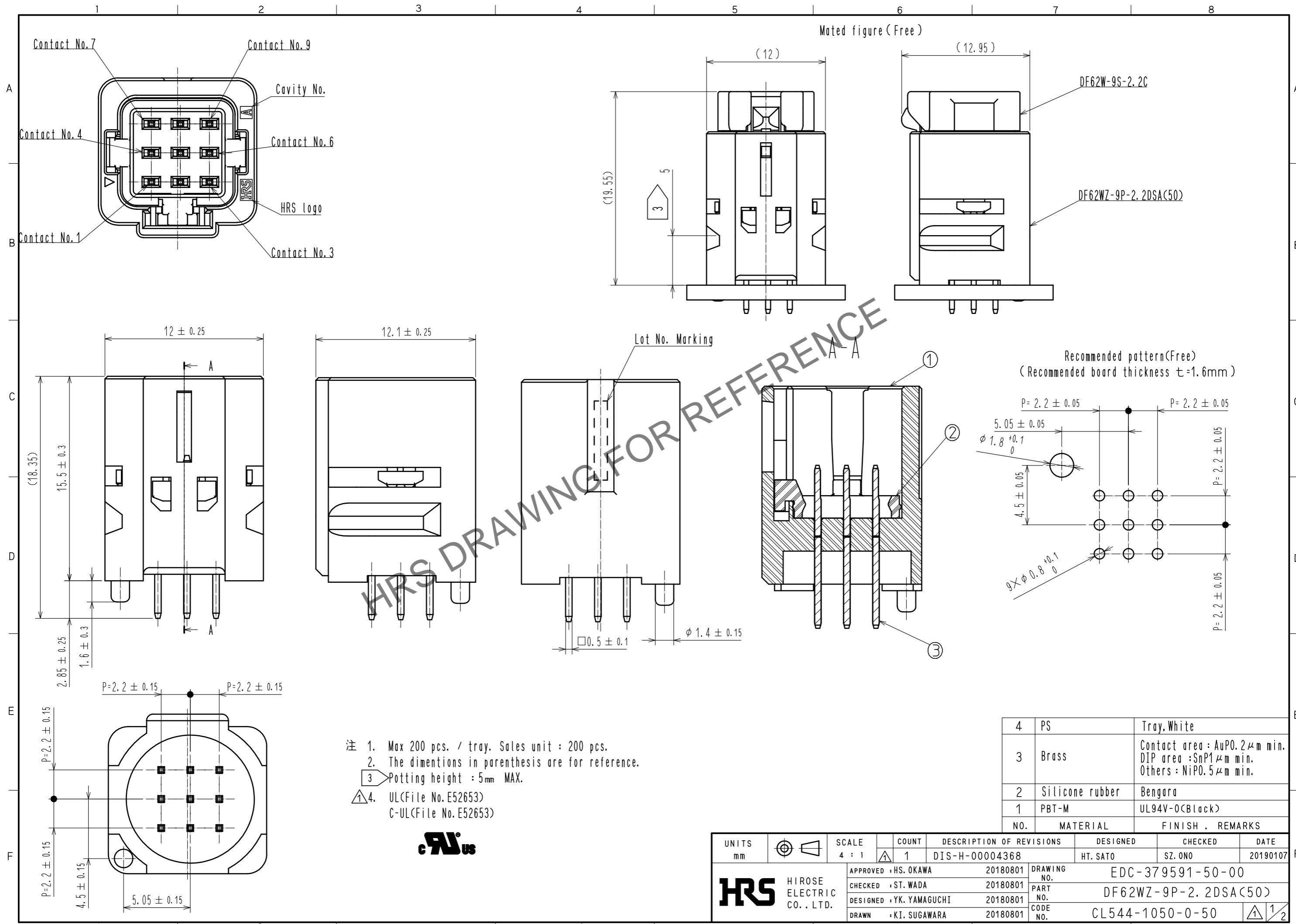


Feb.1.2025 Copyright 2025 HIROSE ELECTRIC CO., LTD. All Rights Reserved.  
In case of consideration for using Automotive equipment / device which demand high reliability, kindly contact our sales window correspondents.



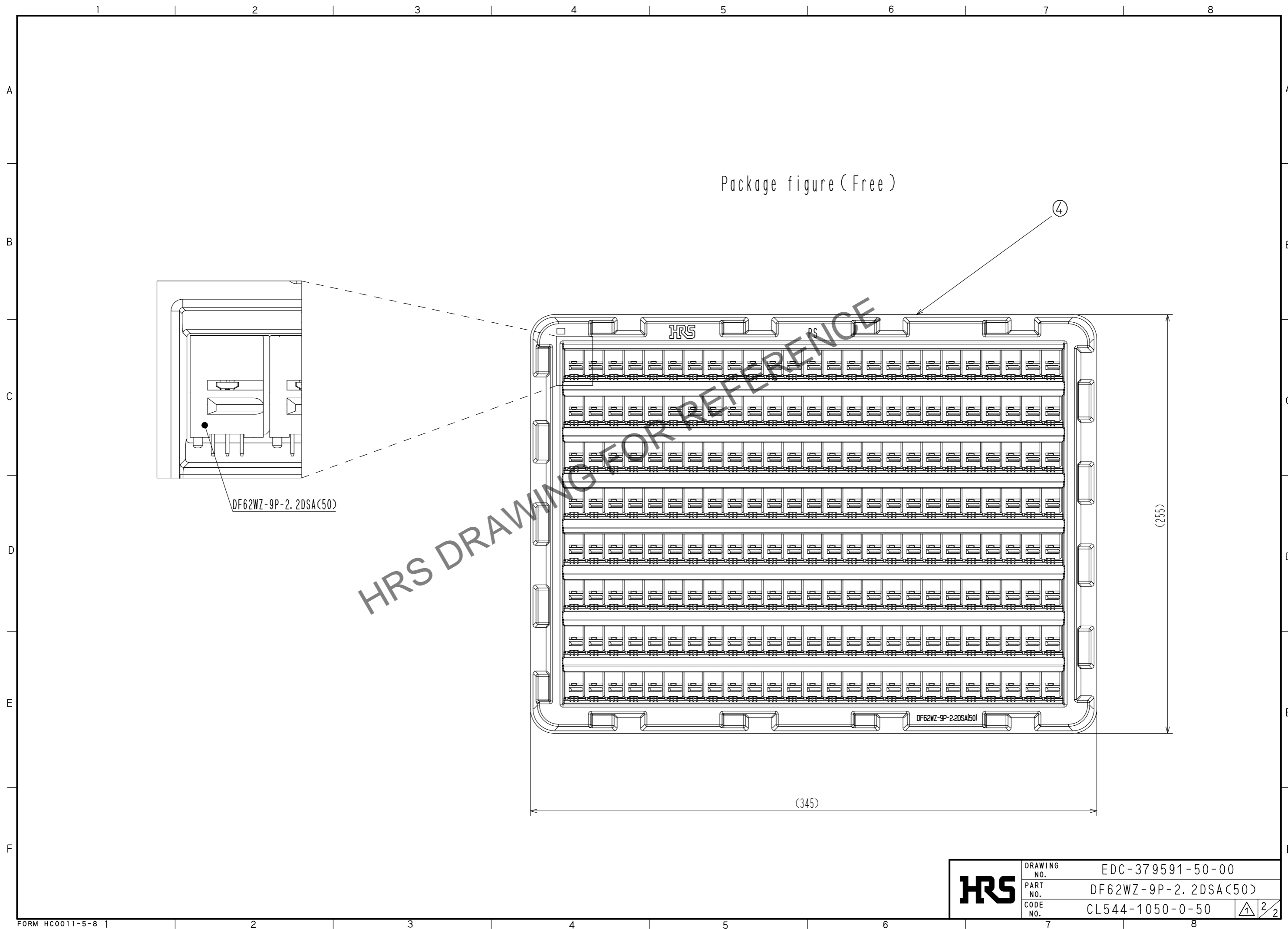
- 注 1. Max 200 pcs. / tray. Sales unit : 200 pcs.  
 2. The dimentions in parenthesis are for reference.  
 3 Potting height : 5mm MAX.  
 4. UL(File No. E52653)  
 C-UL(File No. E52653)



NO.	MATERIAL	FINISH . REMARKS
4	PS	Tray, White
3	Brass	Contact area : AuPO.2μm min. DIP area : SnP1μm min. Others : NiPO.5μm min.
2	Silicone rubber	Bengara
1	PBT-M	UL94V-0(Black)

UNITS	SCALE	COUNT	DESCRIPTION OF REVISIONS	DESIGNED	CHECKED	DATE
mm	4 : 1	1	DIS-H-00004368	HT. SATO	SZ. ONO	20190107
APPROVED : HS. OKAWA 20180801			DRAWING NO. EDC-379591-50-00			
CHECKED : ST. WADA 20180801			PART NO. DF62WZ-9P-2.2DSA(50)			
DESIGNED : YK. YAMAGUCHI 20180801			CODE NO. CL544-1050-0-50			
DRAWN : KI. SUGAWARA 20180801			1/2			

Feb.1.2025 Copyright 2025 HIROSE ELECTRIC CO., LTD. All Rights Reserved.  
In case of consideration for using Automotive equipment / device which demand high reliability, kindly contact our sales window correspondents.



<b>HRS</b>	DRAWING NO.	EDC-379591-50-00
	PART NO.	DF62WZ-9P-2.2DSA(50)
	CODE NO.	CL544-1050-0-50
		2/2