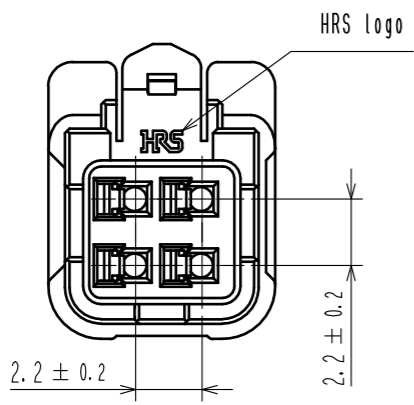
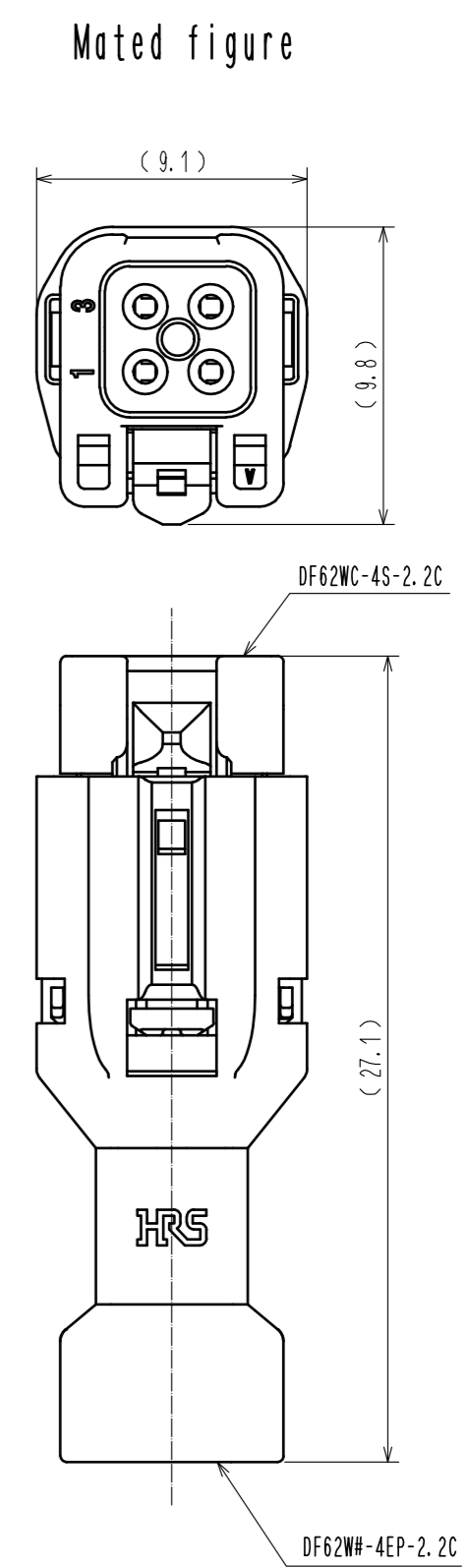
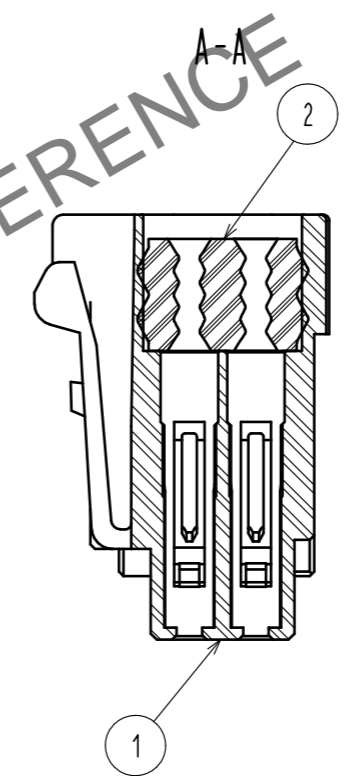
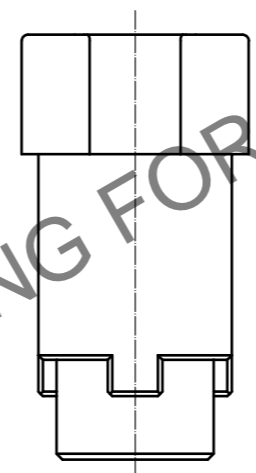
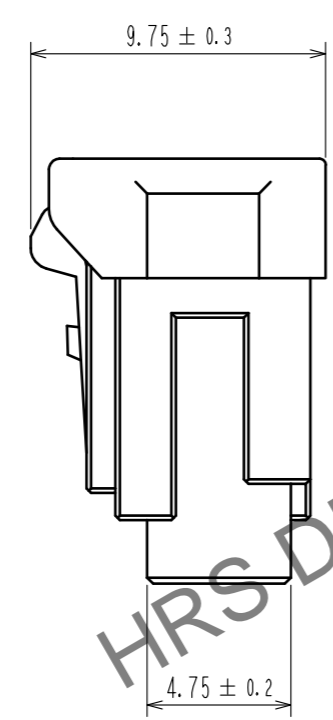
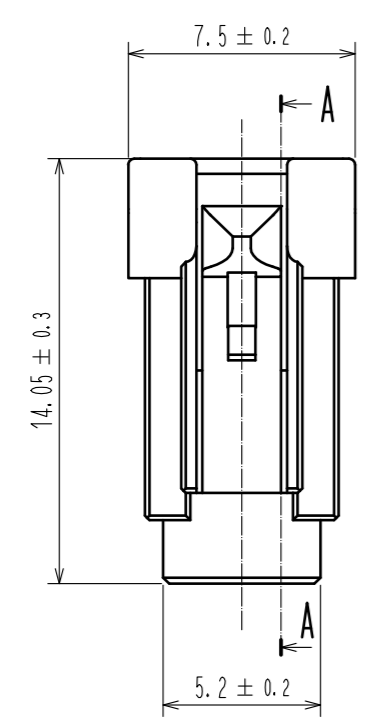
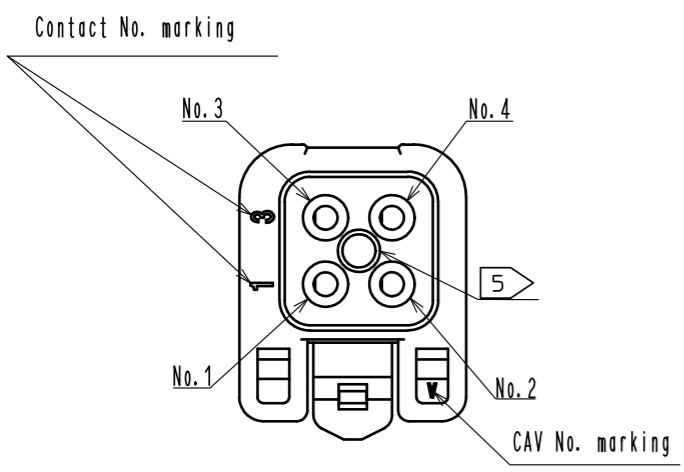


Feb.1.2025 Copyright 2025 HIROSE ELECTRIC CO., LTD. All Rights Reserved.  
In case of consideration for using Automotive equipment / device which demand high reliability, kindly contact our sales window correspondents.



- Notes.
- 100 pcs. / bag
  - The dimensions in parenthesis are reference dimensions.
  - Always refer to the manuals below for operation of this product.  
For cable assembly / Cable assembly procedure ETAD-H0760  
For mating/unmating / Operation manual ETAD-H0761
  - Applicable insulation diameter :  $\phi 0.98$  to  $\phi 1.2$  mm.
- 5 Although the gate mark on the waterproof wire seal(part No.2) may be mounted upside down, there is no difference in performance.

1	PBT	UL94V-0 (White)	2	Silicone rubber	Gray
NO.	MATERIAL	FINISH . REMARKS	NO.	MATERIAL	FINISH . REMARKS
UNITS mm		SCALE 4 : 1	COUNT 1	DESCRIPTION OF REVISIONS DIS-H-00005517	DESIGNED TO. KUROMATSU
		APPROVED : HS. OKAWA	20190705	DRAWING NO. EDC-387673-00-00	CHECKED SZ. ONO
HIROSE ELECTRIC CO., LTD.		CHECED : SZ. ONO	20190705	PART NO. DF62WC-4S-2.2C	DATE 20191202
		DESIGNED : TO. KUROMATSU	20190705	CODE NO. CL544-1051-0-00	
		DRAWN : TO. KUROMATSU	20190705		