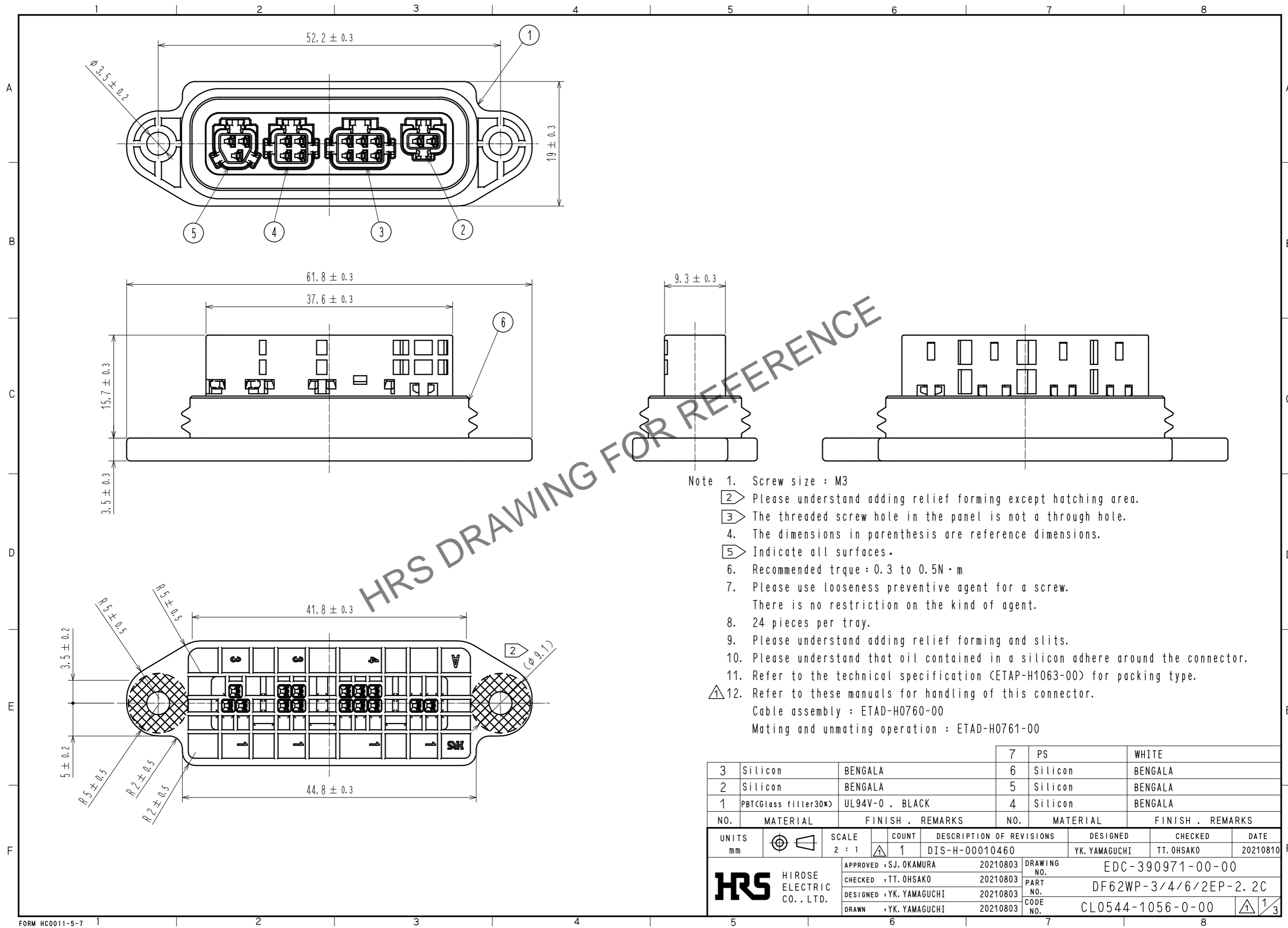


Jan.1.2025 Copyright 2025 HIROSE ELECTRIC CO., LTD. All Rights Reserved.  
 In case of consideration for using Automotive equipment / device which demand high reliability, kindly contact our sales window correspondents.



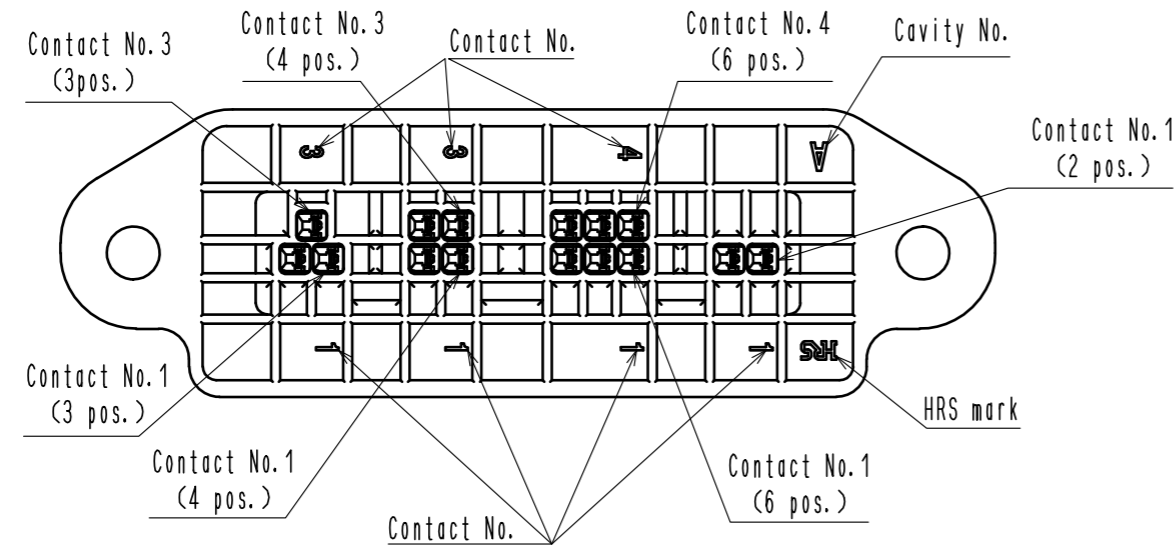
HRS DRAWING FOR REFERENCE

- Note
- Screw size : M3
  - Please understand adding relief forming except hatching area.
  - The threaded screw hole in the panel is not a through hole.
  - The dimensions in parenthesis are reference dimensions.
  - Indicate all surfaces.
  - Recommended torque : 0.3 to 0.5N·m
  - Please use looseness preventive agent for a screw.  
There is no restriction on the kind of agent.
  - 24 pieces per tray.
  - Please understand adding relief forming and slits.
  - Please understand that oil contained in a silicon adhere around the connector.
  - Refer to the technical specification (ETAP-H1063-00) for packing type.
  - Refer to these manuals for handling of this connector.  
Cable assembly : ETAD-H0760-00  
Mating and unmating operation : ETAD-H0761-00

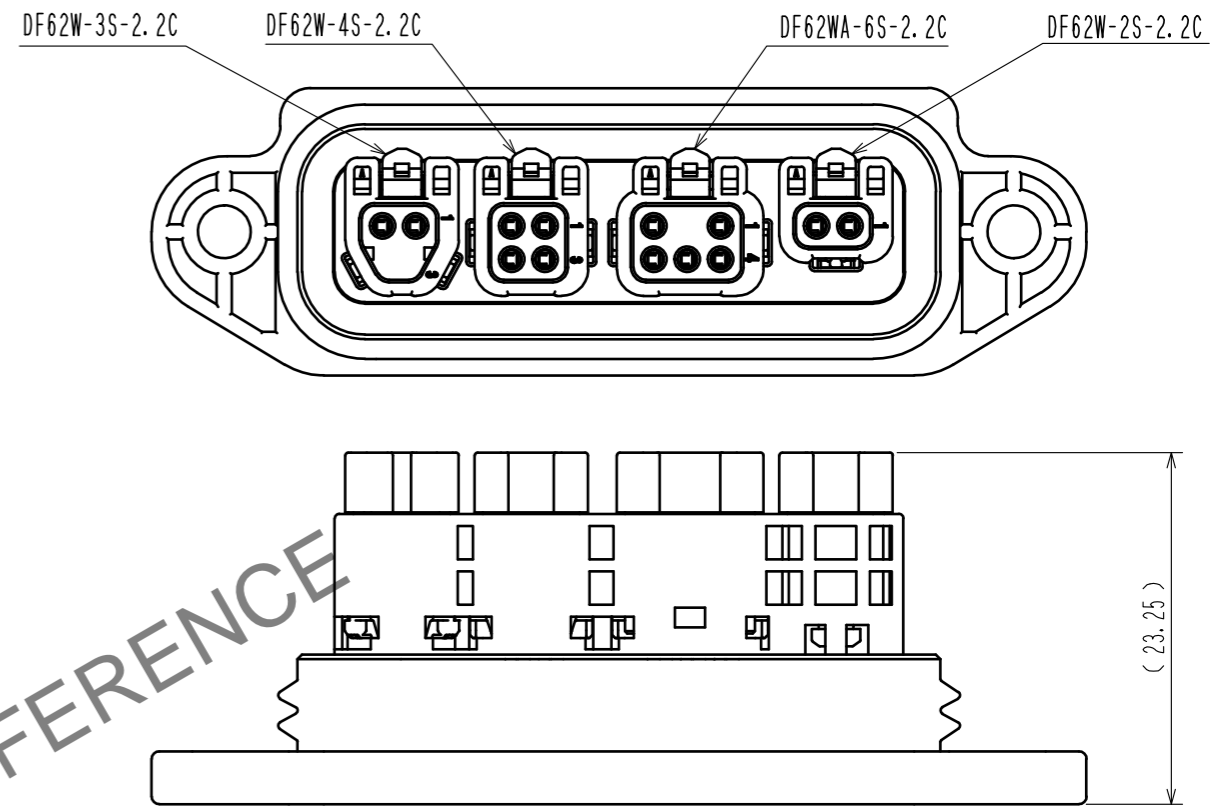
3	Silicon	BENGALA	7	PS	WHITE
2	Silicon	BENGALA	6	Silicon	BENGALA
1	PBT(Glass filler30%)	UL94V-0 , BLACK	5	Silicon	BENGALA
4	Silicon	BENGALA	4	Silicon	BENGALA
NO.	MATERIAL	FINISH . REMARKS	NO.	MATERIAL	FINISH . REMARKS
UNITS		SCALE	COUNT	DESCRIPTION OF REVISIONS	
mm		2 : 1	1	DIS-H-00010460	
<b>HRS</b> HIROSE ELECTRIC CO., LTD.		APPROVED : SJ. OKAMURA	20210803	DESIGNED	YK. YAMAGUCHI
		CHECKED : TT. OHSAKO	20210803	CHECKED	TT. OHSAKO
		DESIGNED : YK. YAMAGUCHI	20210803	DATE	20210810
		DRAWN : YK. YAMAGUCHI	20210803	DRAWING NO. EDC-390971-00-00	
				PART NO. DF62WP-3/4/6/2EP-2.2C	
				CODE NO. CL0544-1056-0-00	
				1/3	

Jan.1.2025 Copyright 2025 HIROSE ELECTRIC CO., LTD. All Rights Reserved.  
In case of consideration for using Automotive equipment / device which demand high reliability, kindly contact our sales window correspondents.

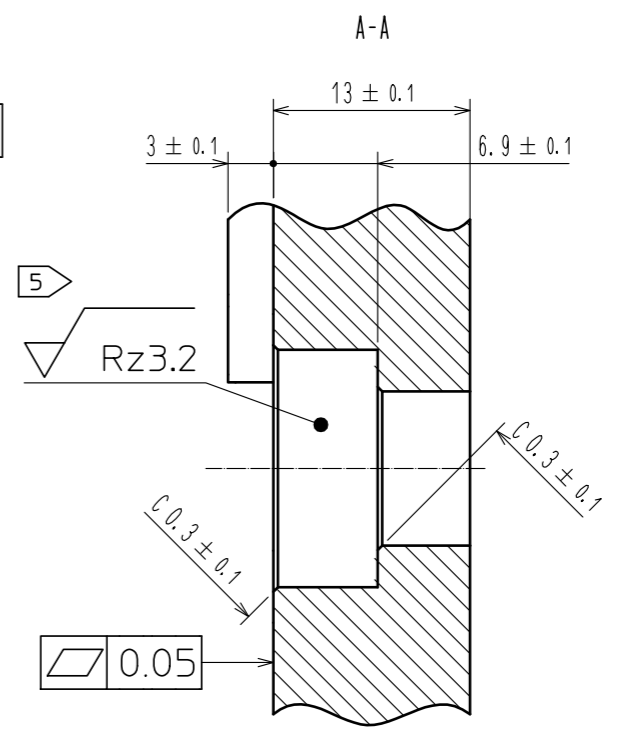
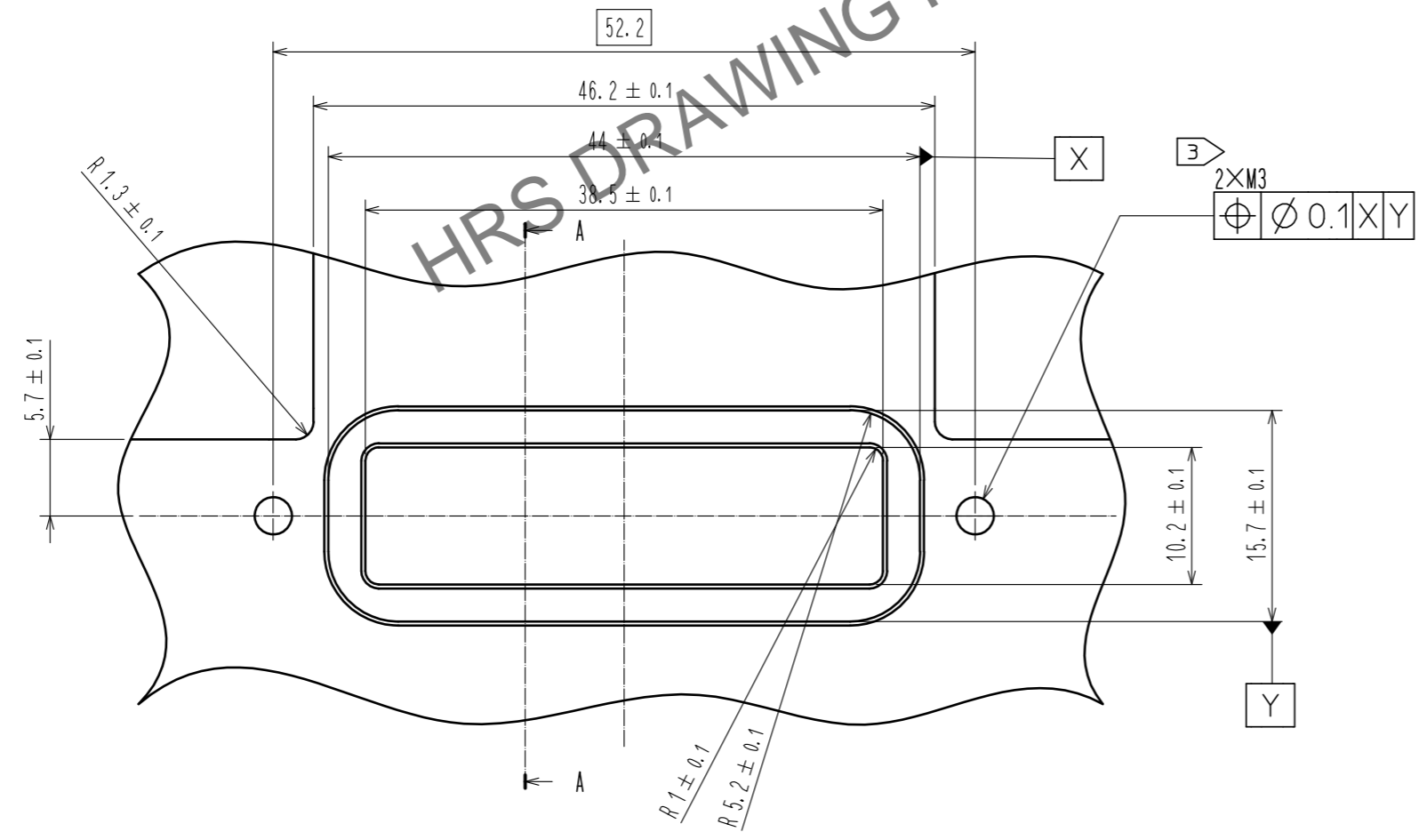
The display of contact No. and position and marks.



Mating condition



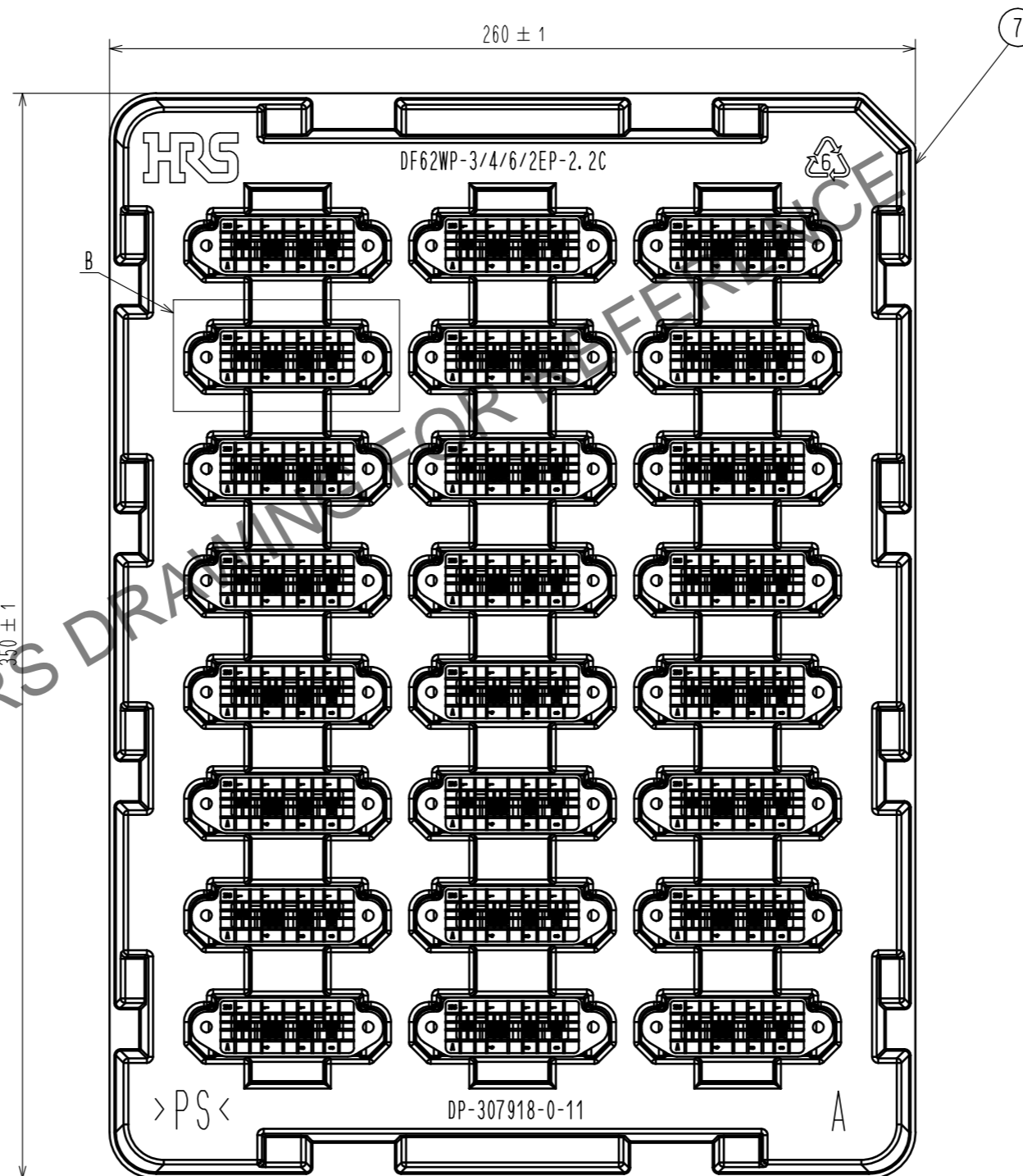
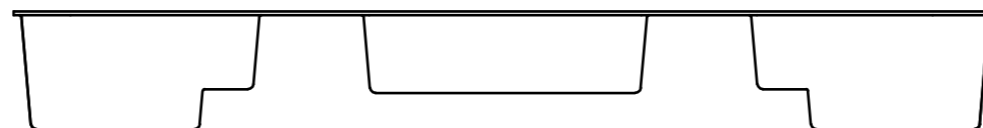
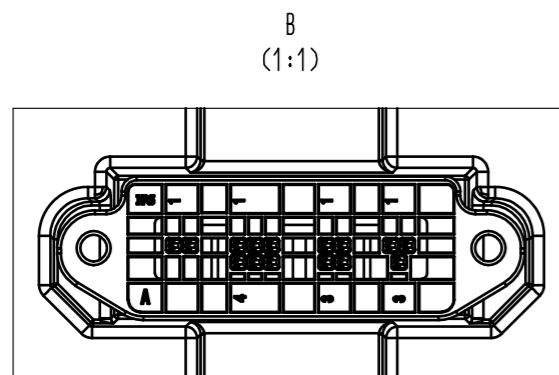
Recommended dimension of the panel



<b>HRS</b>	DRAWING NO.	EDC-390971-00-00
	PART NO.	DF62WP-3/4/6/2EP-2.2C
	CODE NO.	CL0544-1056-0-00
		2/3

Jan.1.2025 Copyright 2025 HIROSE ELECTRIC CO., LTD. All Rights Reserved.  
In case of consideration for using Automotive equipment / device which demand high reliability, kindly contact our sales window correspondents.

Packing condition (1 : 2)



<b>HRS</b>	DRAWING NO.	EDC-390971-00-00
	PART NO.	DF62WP-3/4/6/2EP-2.2C
	CODE NO.	CL0544-1056-0-00
		3/3