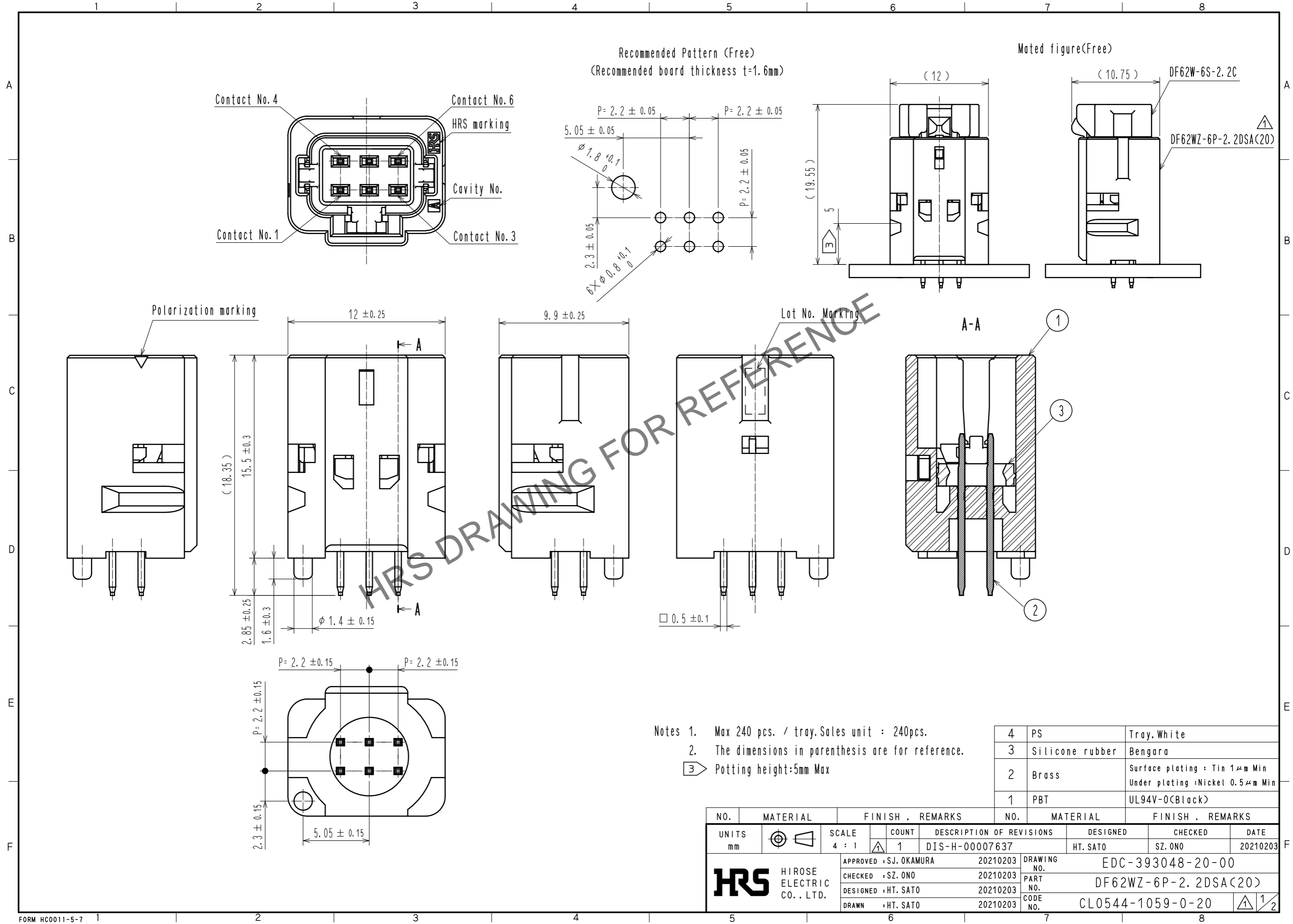


Feb.1.2025 Copyright 2025 HIROSE ELECTRIC CO., LTD. All Rights Reserved.
In case of consideration for using Automotive equipment / device which demand high reliability, kindly contact our sales window correspondents.

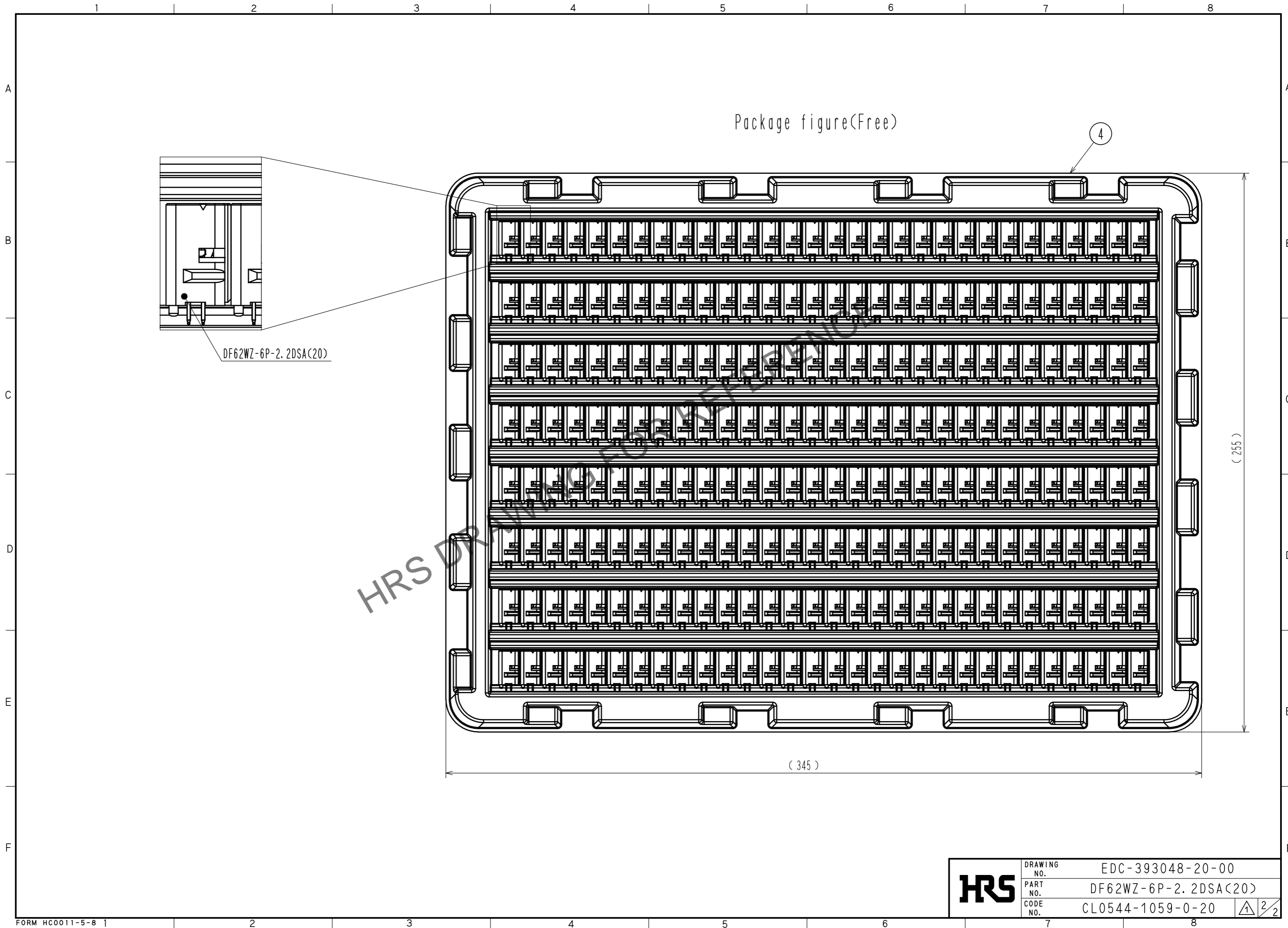


- Notes
- Max 240 pcs. / tray. Sales unit : 240pcs.
 - The dimensions in parenthesis are for reference.
 - ⊞ Potting height:5mm Max

4	PS	Tray. White
3	Silicone rubber	Bengara
2	Brass	Surface plating : Tin 1μm Min Under plating : Nickel 0.5μm Min
1	PBT	UL94V-0(Black)

NO.	MATERIAL	FINISH . REMARKS	NO.	MATERIAL	FINISH . REMARKS		
UNITS	mm	SCALE	COUNT	DESCRIPTION OF REVISIONS	DESIGNED	CHECKED	DATE
		4 : 1	1	DIS-H-00007637	HT. SATO	SZ. ONO	20210203
HRS HIROSE ELECTRIC CO., LTD.		APPROVED : SJ. OKAMURA	20210203	DRAWING NO. EDC-393048-20-00			
		CHECKED : SZ. ONO	20210203	PART NO. DF62WZ-6P-2.2DSA(20)			
		DESIGNED : HT. SATO	20210203	CODE NO. CL0544-1059-0-20			
		DRAWN : HT. SATO	20210203				

Feb.1.2025 Copyright 2025 HIROSE ELECTRIC CO., LTD. All Rights Reserved.
In case of consideration for using Automotive equipment / device which demand high reliability, kindly contact our sales window correspondents.



HRS	DRAWING NO.	EDC-393048-20-00
	PART NO.	DF62WZ-6P-2. 2DSA(20)
	CODE NO.	CL0544-1059-0-20
		2/2