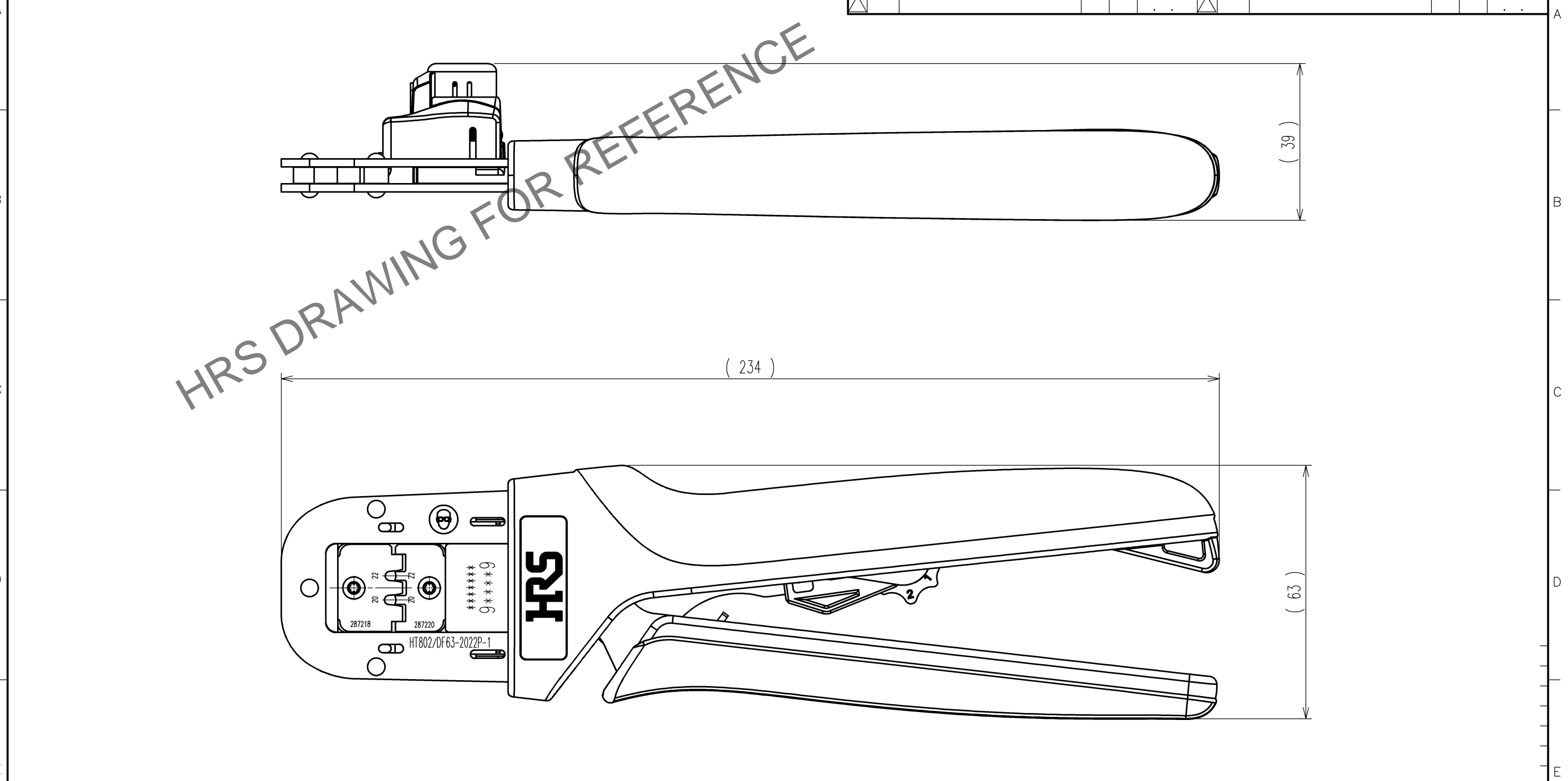


Feb.1.2026 Copyright 2026 HIROSE ELECTRIC CO., LTD. All Rights Reserved.  
In case of consideration for using Automotive equipment / device which demand high reliability, kindly contact our sales window



5		6			7		8		
COUNT	DESCRIPTION OF REVISIONS	BY	CHKD	DATE	COUNT	DESCRIPTION OF REVISIONS	BY	CHKD	DATE
△				. .	△				. .
△				. .	△				. .
△				. .	△				. .

Notes : Contact of DF63-2022PC(CL680-0539-6) is assembled for this tool.

NO.	MATERIAL	FINISH, REMARKS	NO.	MATERIAL	FINISH, REMARKS
2			4		
1			3		

CODE NO.(OLD) CL	DRAWN K.SUGIBUCHI 16.3.18	DESIGNED K.SUGIBUCHI 16.3.18	CHECKED S.OIZUMI 16.3.22	APPROVED T.ITO 16.3.22	RELEASED
---------------------	---------------------------------	------------------------------------	--------------------------------	------------------------------	----------

SCALE 1 : 1	DRAWING NO. EDC-285222-00	PART NO. HT802/DF63-2022P-1
UNITS mm	<b>HRS</b> HIROSE ELECTRIC CO., LTD	CODE NO. CL550-0433-0

TO
PE