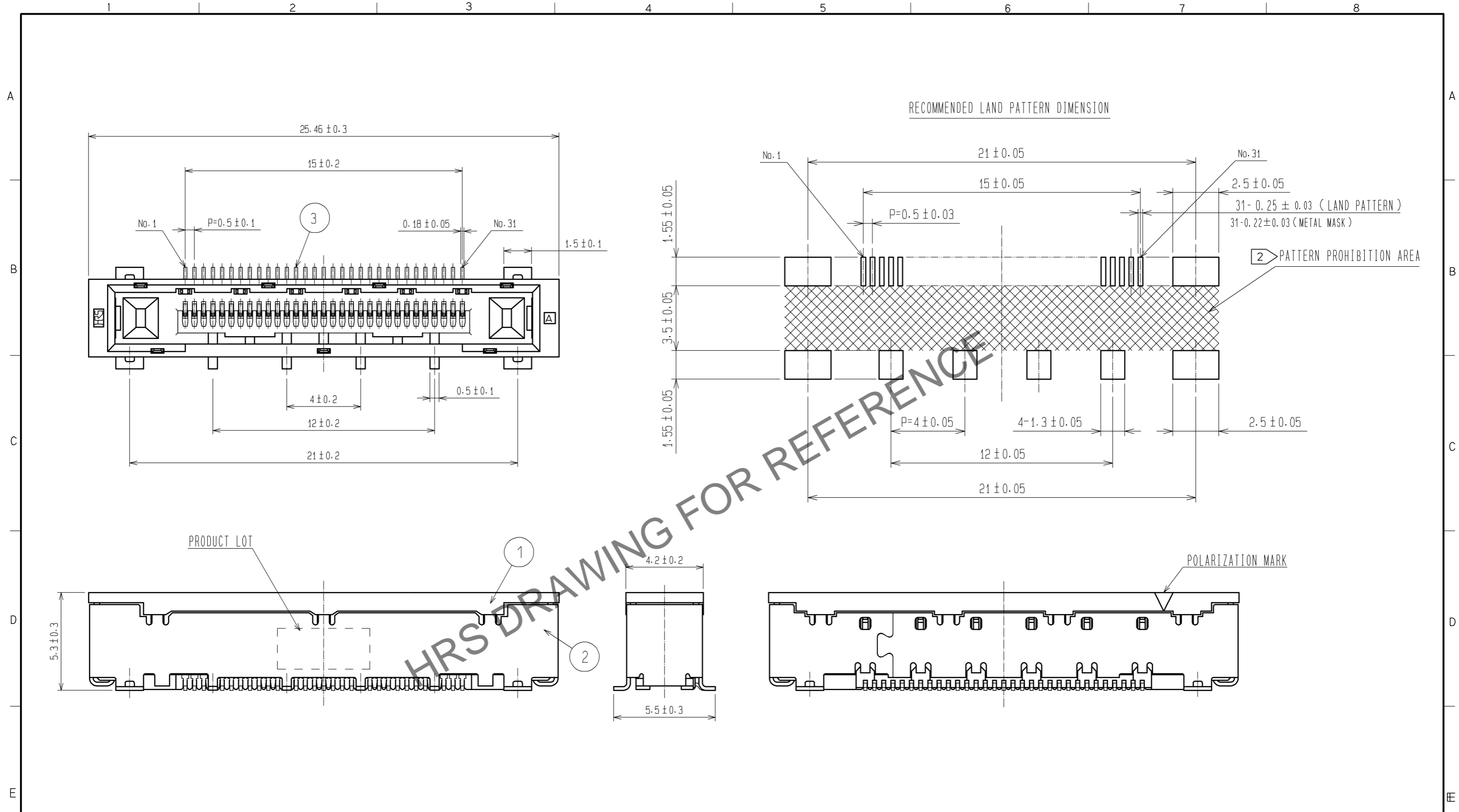


Mar.1.2026 Copyright 2026 HIROSE ELECTRIC CO., LTD. All Rights Reserved.
 In case of consideration for using Automotive equipment / device which demand high reliability, kindly contact our sales window correspondents.



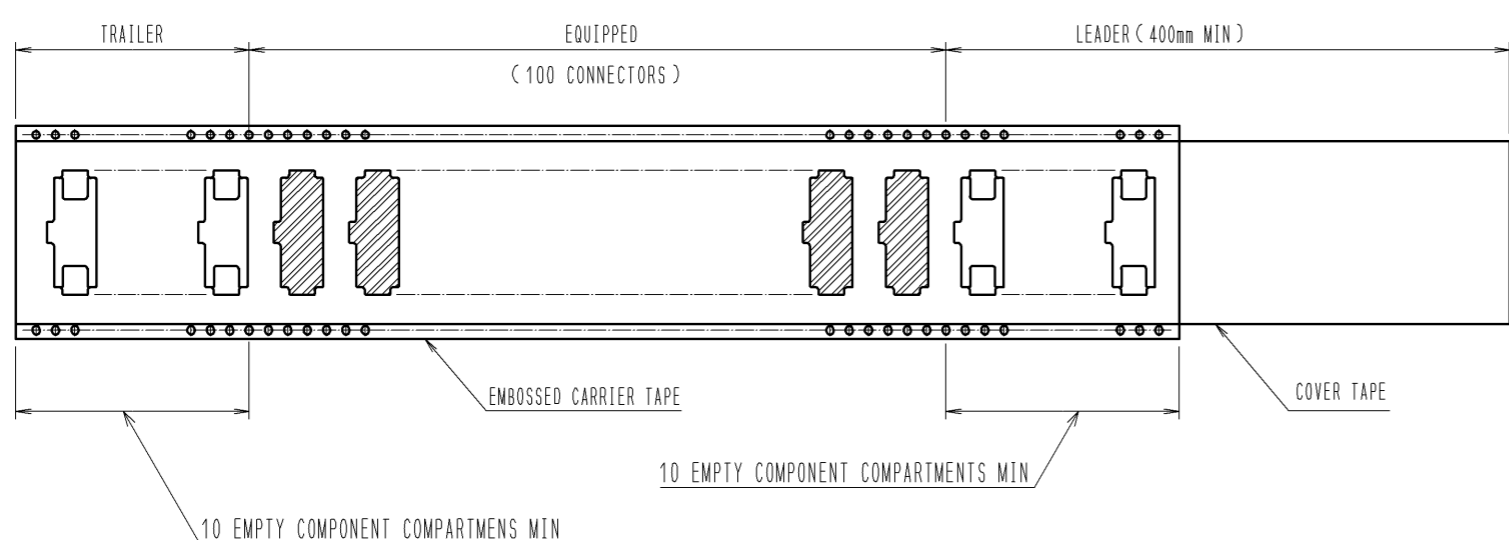
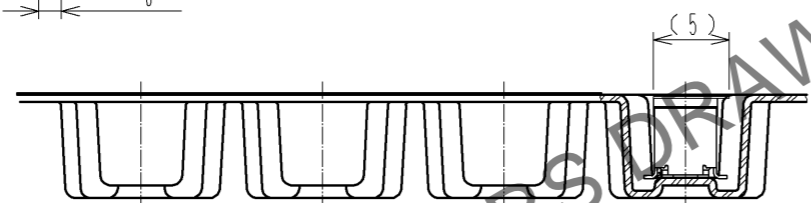
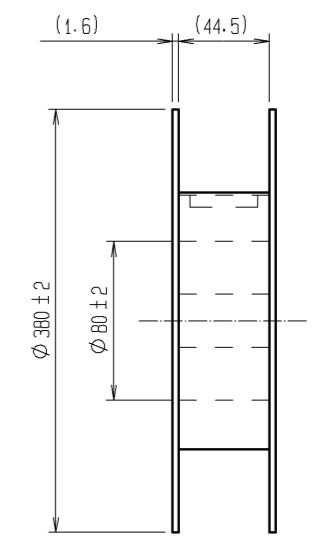
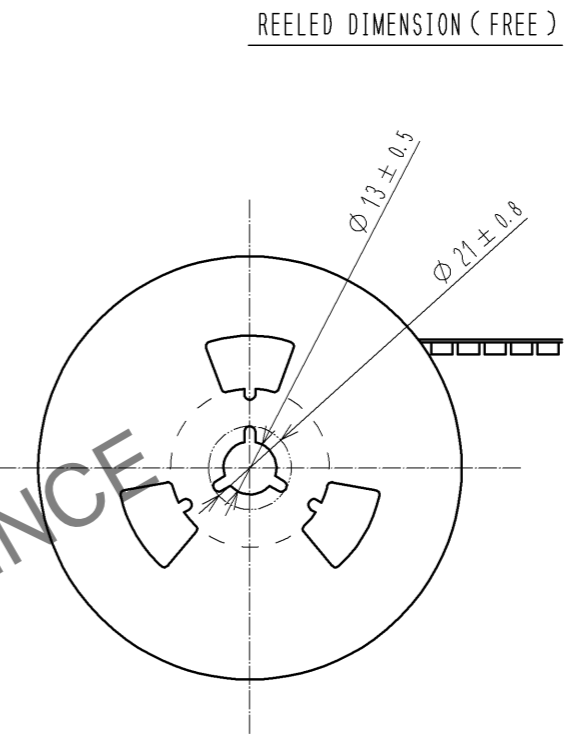
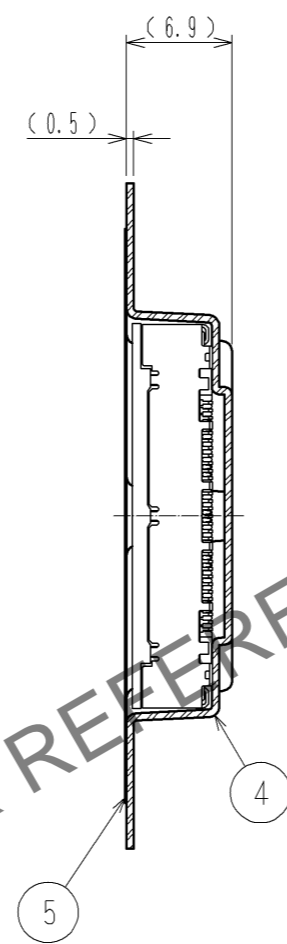
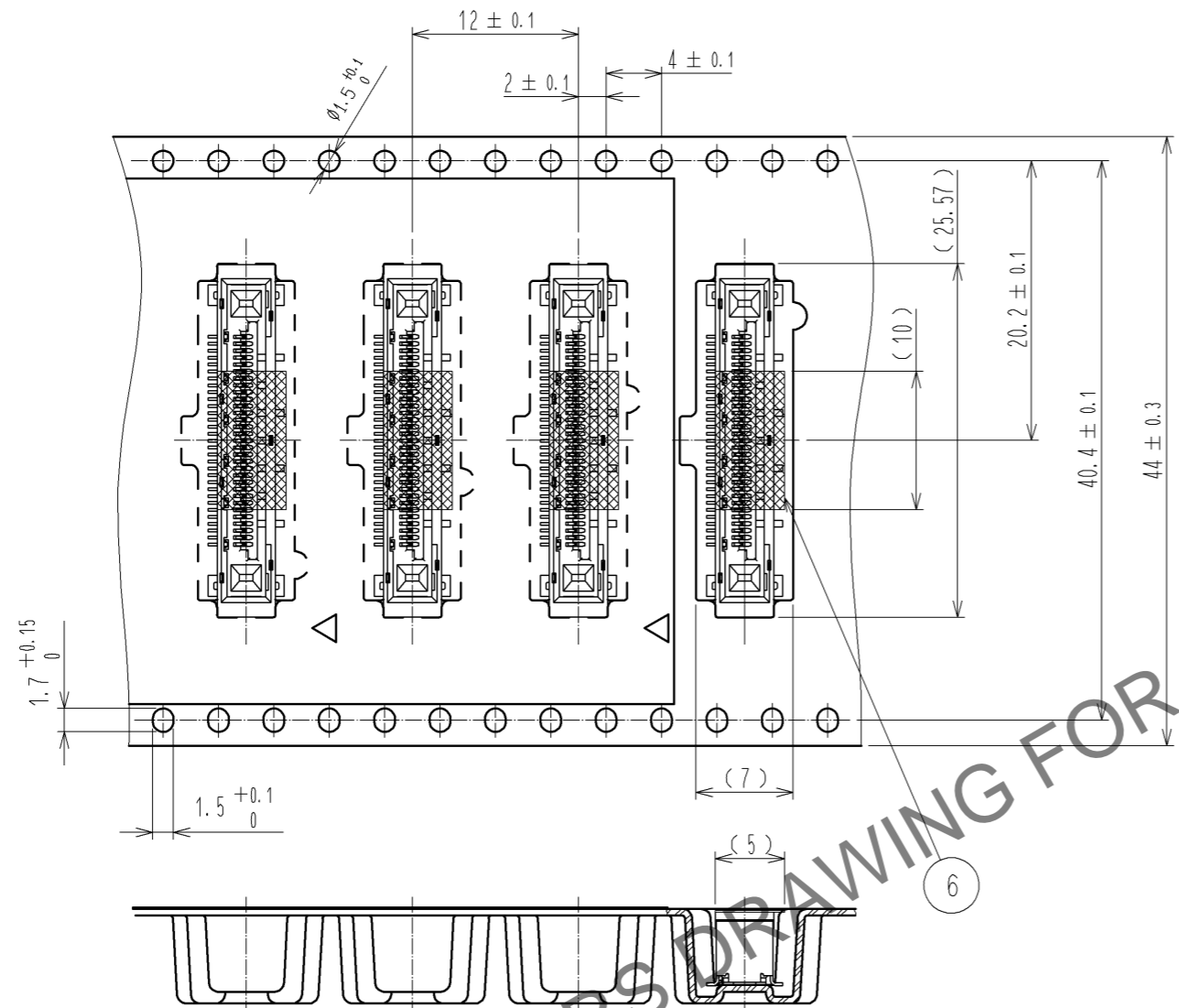
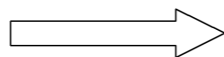
- NOTE 1 LEAD CO-PLANARITY OF THIS PRODUCT TO BE 0.1MAX.
 2 AREA OF INNER SMT LAND REQUIRES PATTERN PROHIBITION OR RESIST TREATMENT TO PREVENT THE PATTERN TOUCHING TO THE CONTACTS.
 3 () INDICATES A REFERENCE DIMENSION.
 4 MANUFACTURING PROCESS COULD LEAVE SCRATCH AND/OR PUNCH MARKS HAVING NO AFFECT ON THE PRODUCT PERFORMANCE.
 5 PACKAGING FOR THIS PRODUCT APPLIES EMBOSSED CARRIER TAPE PACKAGING. SEE SHEET 2/2 FOR DETAILS.

3	PHOSPHOR BRONZE	CONTACT AREA : GOLD $0.1 \mu\text{m}$ min	6	PI	(TAPE FOR VACUUM PICK UP)
		LEAD AREA : GOLD $0.03 \mu\text{m}$ min	5	PE	(COVER TAPE)
		UNDER PLATING : NICKEL $1 \mu\text{m}$ min	4	PS	(EMBOSSED CARRIER TAPE)
1	LCP	BLACK. UL94V-0	2	PHOSPHOR BRONZE	OVER PLATING : TIN PLATING $1 \mu\text{m}$ min
					UNDER PLATING : NICKEL $0.2 \mu\text{m}$ min
NO.	MATERIAL	FINISH . REMARKS	NO.	MATERIAL	FINISH . REMARKS
UNITS		SCALE	COUNT	DESCRIPTION OF REVISIONS	
mm		5 : 1		DESIGNED	CHECKED
HRS HIROSE ELECTRIC CO., LTD.		APPROVED : HS. OKAWA	11.09.15	DRAWING NO. EDC3-157330-02	
		CHECED : HT. YAMAGUCHI	11.09.15	PART NO. FX16-31S-0.5SV(30)	
		DESIGNED : TS. MIYAKI	11.09.15	CODE NO. CL575-3402-4-30	
		DRAWN : TS. MIYAKI	11.09.15	1/2	

Mar.1.2026 Copyright 2026 HIROSE ELECTRIC CO., LTD. All Rights Reserved.
 In case of consideration for using Automotive equipment / device which demand high reliability, kindly contact our sales window correspondents.

DRAWING FOR PACKING (2:1)

THE DIRECITON OF PULLING OUT



HRS	DRAWING NO.	EDC3-157330-02
	PART NO.	FX16-31S-0.5SV(30)
	CODE NO.	CL575-3402-4-30
		\triangle 2/2