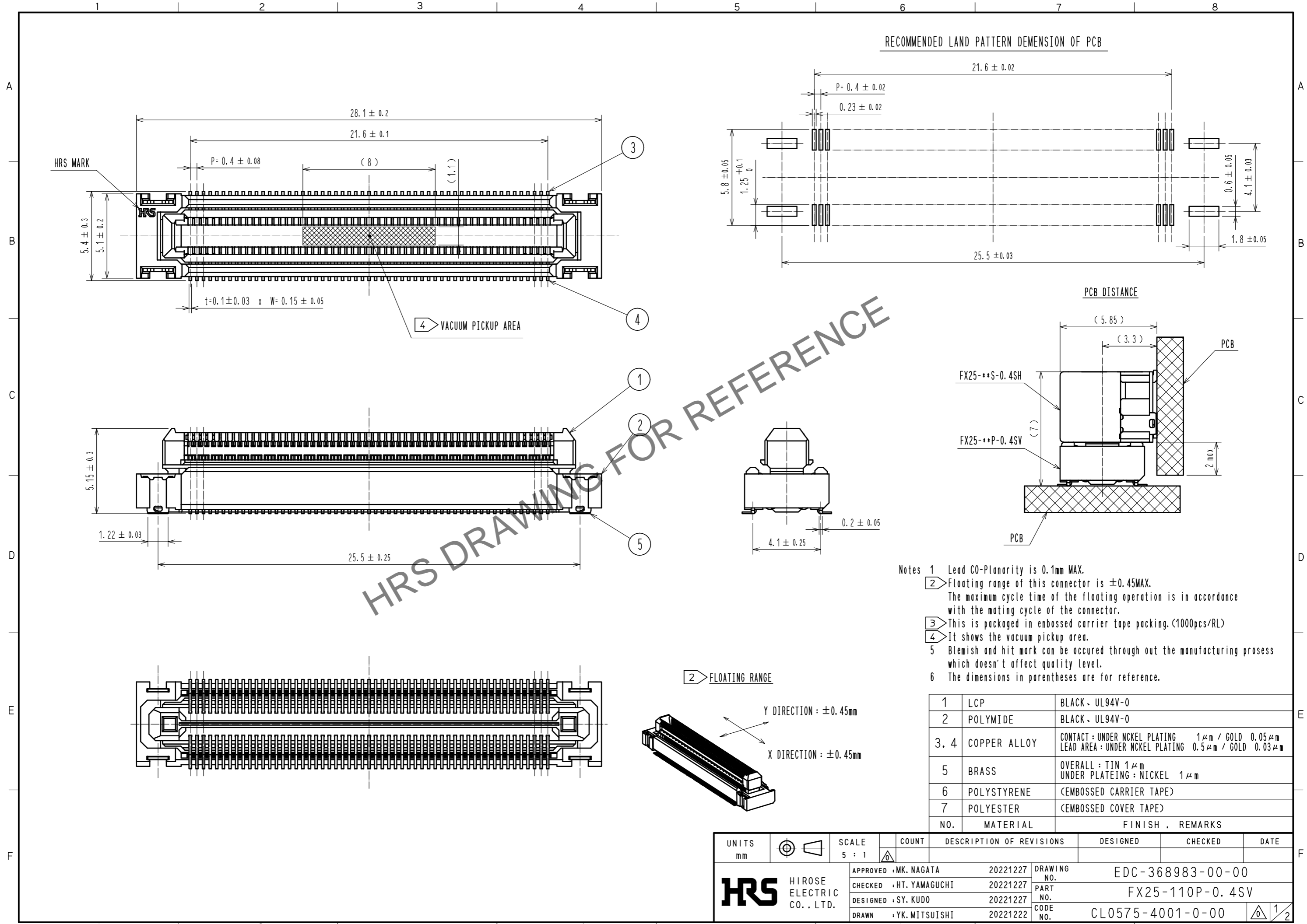


Feb.1.2026 Copyright 2026 HIROSE ELECTRIC CO., LTD. All Rights Reserved.
In case of consideration for using Automotive equipment / device which demand high reliability, kindly contact our sales window correspondents.



- Notes
- Lead CO-Planarity is 0.1mm MAX.
 - Floating range of this connector is $\pm 0.45\text{MAX}$. The maximum cycle time of the floating operation is in accordance with the mating cycle of the connector.
 - This is packaged in embossed carrier tape packing. (1000pcs/RL)
 - It shows the vacuum pickup area.
 - Blemish and hit mark can be occurred through out the manufacturing process which doesn't affect quality level.
 - The dimensions in parentheses are for reference.

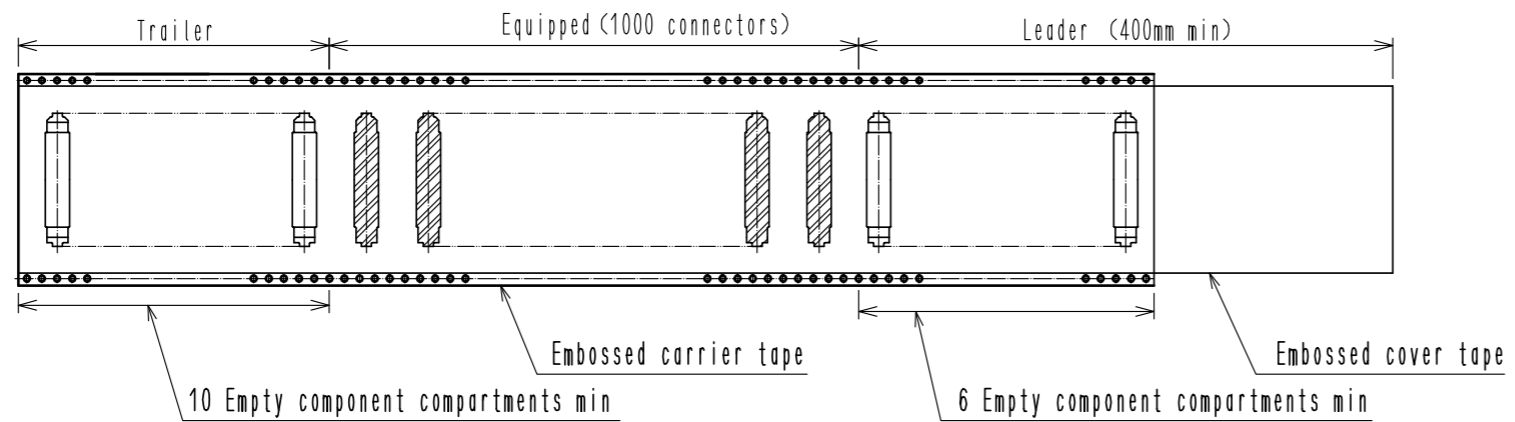
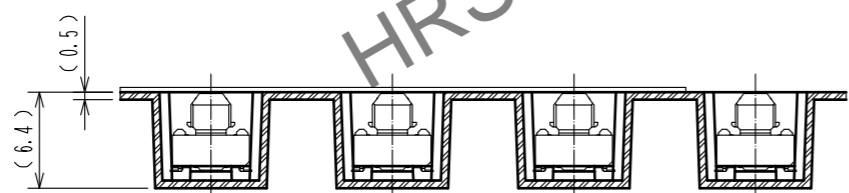
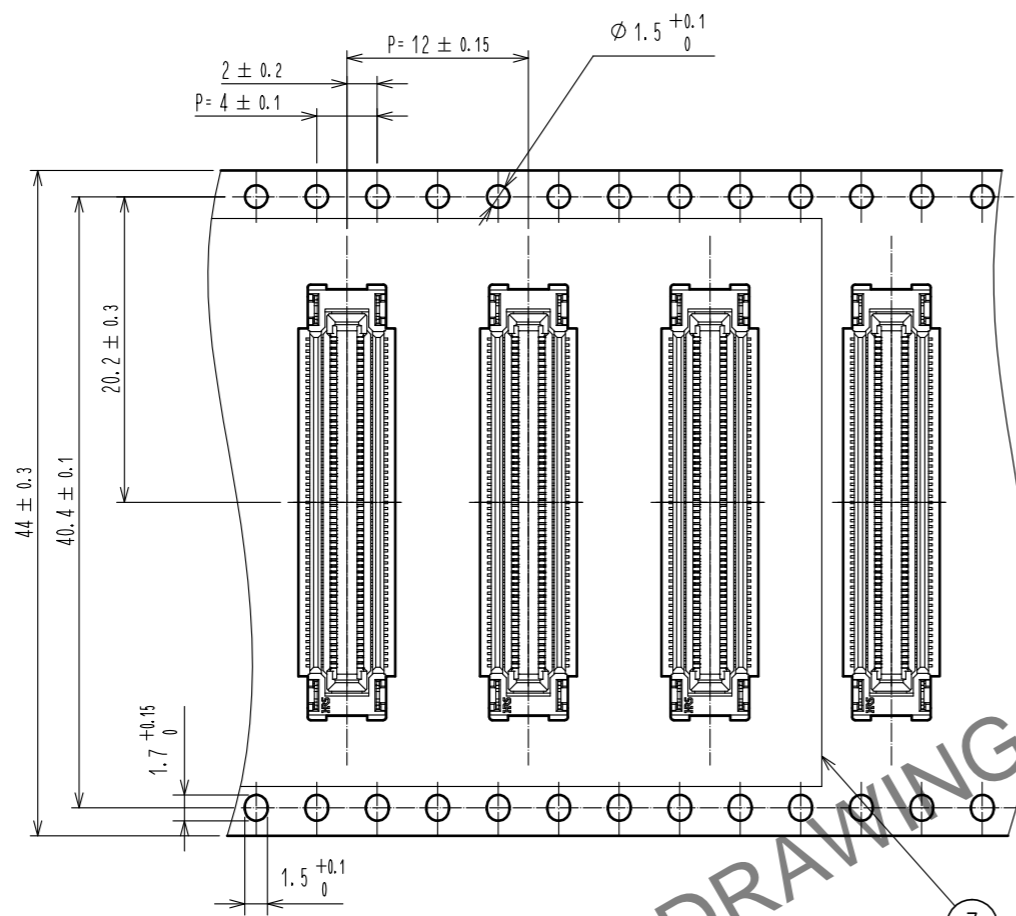
NO.	MATERIAL	FINISH , REMARKS
1	LCP	BLACK、UL94V-0
2	POLYIMIDE	BLACK、UL94V-0
3, 4	COPPER ALLOY	CONTACT : UNDER NCKEL PLATING $1\mu\text{m}$ / GOLD $0.05\mu\text{m}$ LEAD AREA : UNDER NCKEL PLATING $0.5\mu\text{m}$ / GOLD $0.03\mu\text{m}$
5	BRASS	OVERALL : TIN $1\mu\text{m}$ UNDER PLATEING : NICKEL $1\mu\text{m}$
6	POLYSTYRENE	(EMBOSSD CARRIER TAPE)
7	POLYESTER	(EMBOSSD COVER TAPE)

UNITS	SCALE	COUNT	DESCRIPTION OF REVISIONS	DESIGNED	CHECKED	DATE
mm	5 : 1					
			APPROVED : MK. NAGATA 20221227 CHECKED : HT. YAMAGUCHI 20221227 DESIGNED : SY. KUDO 20221227 DRAWN : YK. MITSUISHI 20221227	DRAWING NO. EDC-368983-00-00 PART NO. FX25-110P-0.4SV CODE NO. CL0575-4001-0-00		

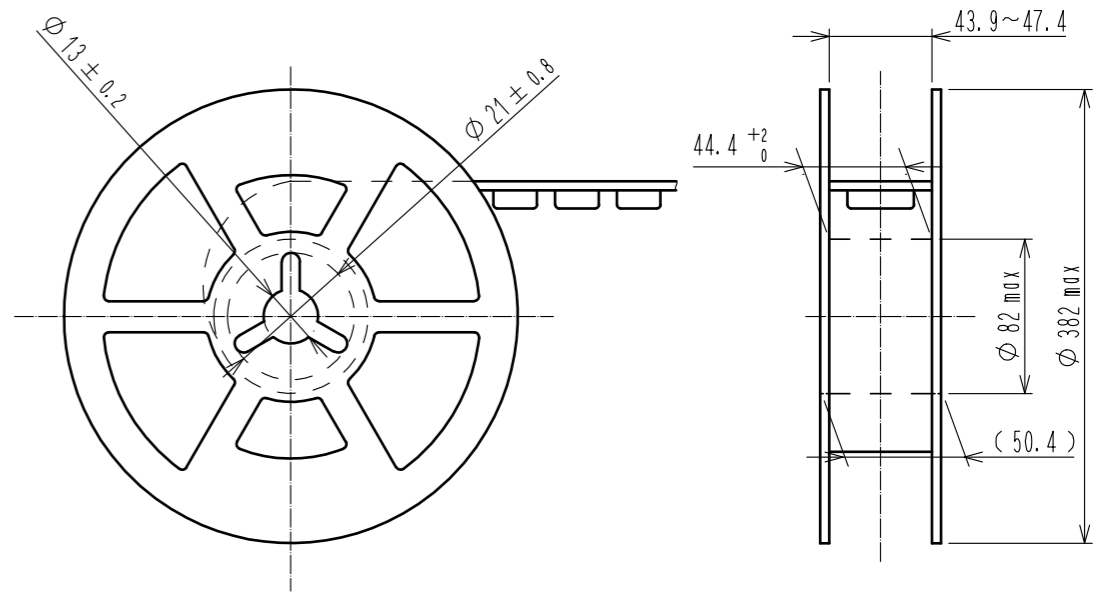
Feb.1.2026 Copyright 2026 HIROSE ELECTRIC CO., LTD. All Rights Reserved.
 In case of consideration for using Automotive equipment / device which demand high reliability, kindly contact our sales window correspondents.

3 DRAWING FOR PACKING

THE DIRECTION OF PULLING OUT →



REELING DIMENSION



HRS	DRAWING NO.	EDC-368983-00-00	
	PART NO.	FX25-110P-0.4SV	
	CODE NO.	CL0575-4001-0-00	