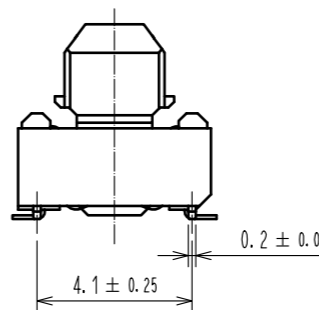
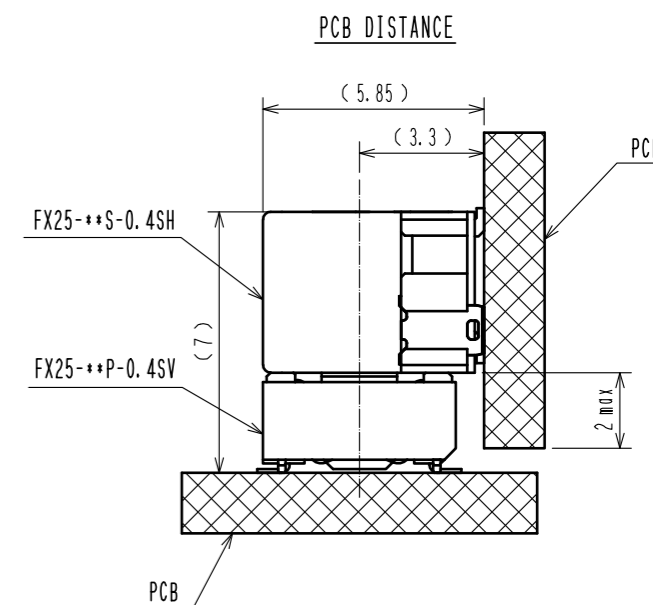
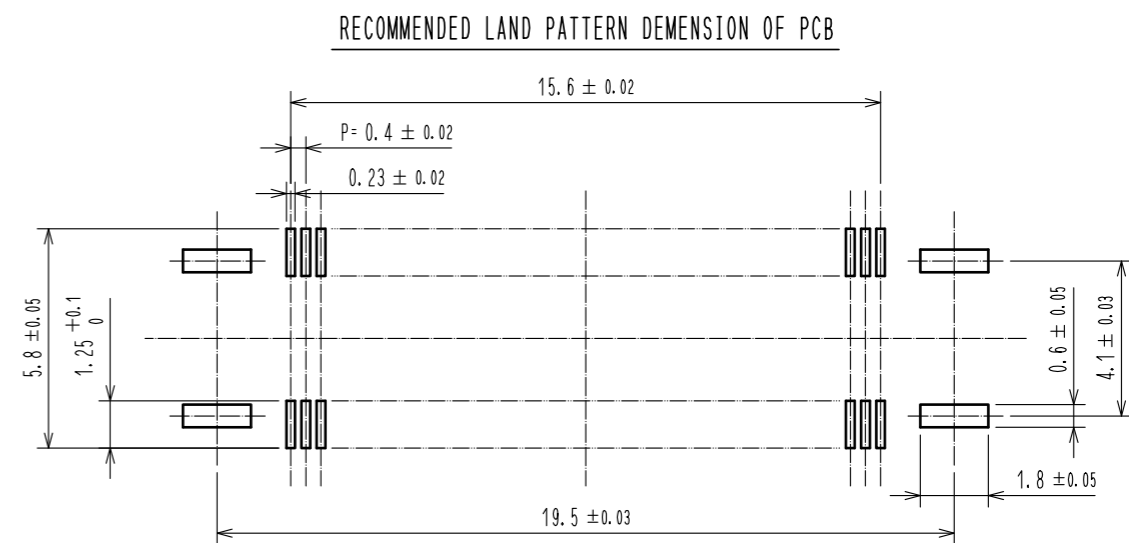
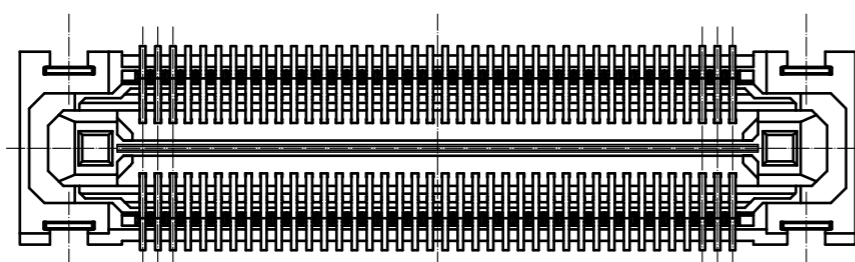
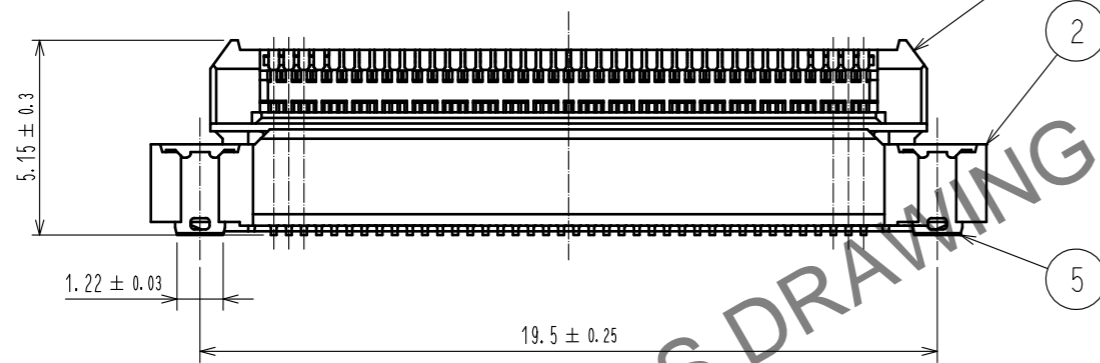
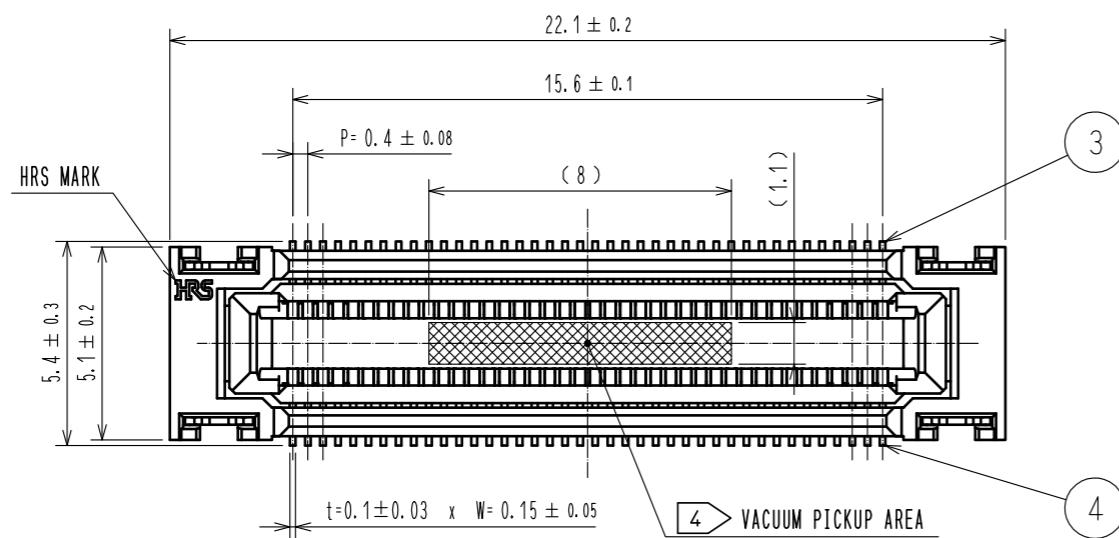


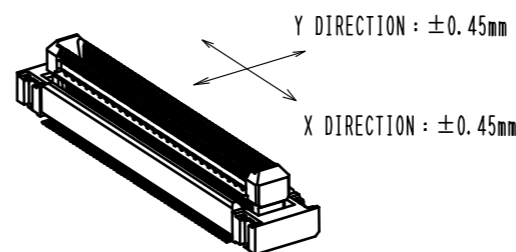
Mar.1.2026 Copyright 2026 HIROSE ELECTRIC CO., LTD. All Rights Reserved.
In case of consideration for using Automotive equipment / device which demand high reliability, kindly contact our sales window correspondents.



HRS DRAWING FOR REFERENCE

- Notes
- 1 Lead CO-Planarity is 0.1mm MAX.
 - 2 Floating range of this connector is ±0.45MAX.
The maximum cycle time of the floating operation is in accordance with the mating cycle of the connector.
 - 3 This is packaged in embossed carrier tape packing. (1000pcs/RL)
 - 4 It shows the vacuum pickup area.
 - 5 Blemish and hit mark can be occurred through out the manufacturing process which doesn't affect quality level.
 - 6 The dimensions in parentheses are for reference.

2 FLOATING RANGE



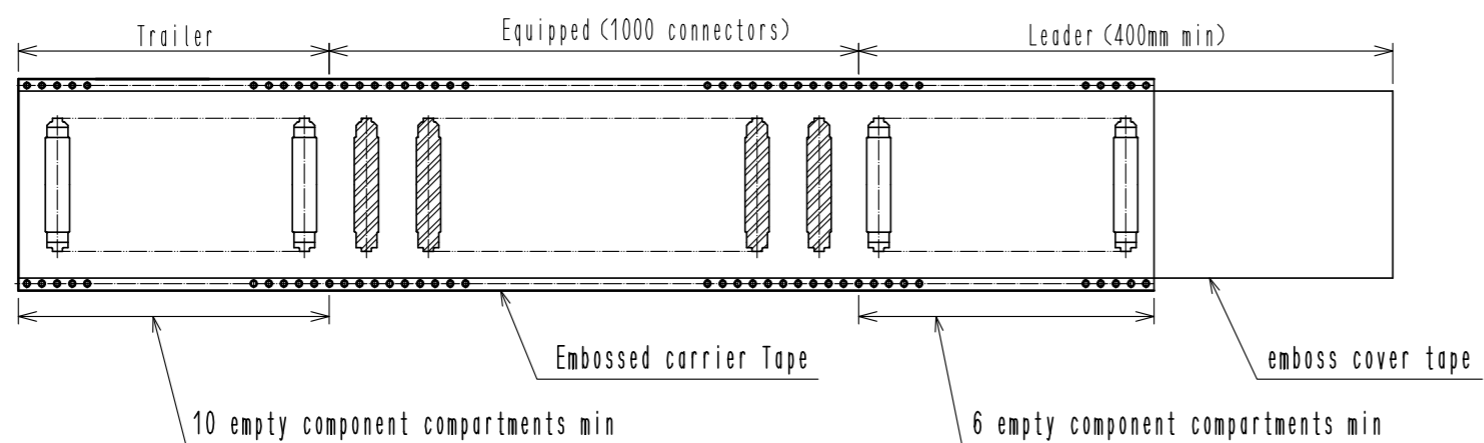
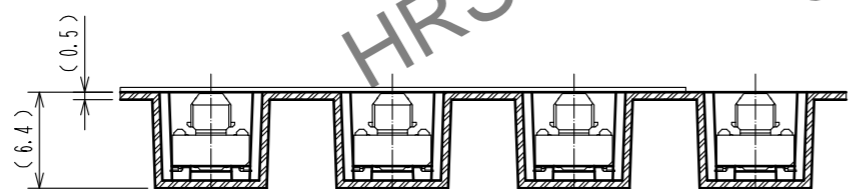
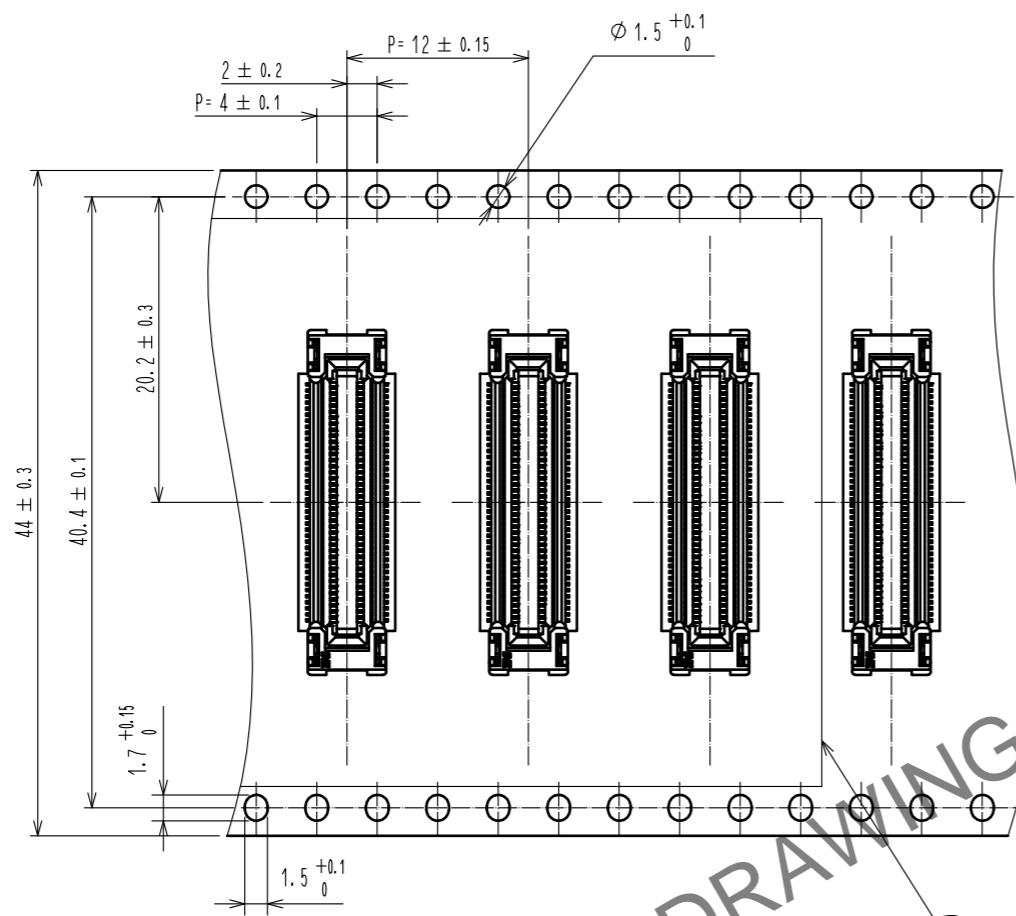
1	LCP	BLACK-UL94V-0
2	POLYIMIDE	BLACK-UL94V-0
3, 4	COPPER ALLOY	CONTACT : UNDER NCKEL PLATING 1μm / GOLD 0.05μm LEAD AREA : UNDER NCKEL PLATING 0.5μm / GOLD 0.03μm
5	BRASS	OVERALL : TIN 1μm UNDER PLATEING : NICKEL 1μm
6	POLYSTYRENE	(EMBOSSD CARRIER TAPE)
7	POLYESTER	(EMBOSSD COVER TAPE)
NO.	MATERIAL	FINISH . REMARKS

UNITS mm		SCALE 5 : 1	COUNT 	DESCRIPTION OF REVISIONS	DESIGNED	CHECKED	DATE
HIROSE ELECTRIC CO., LTD.				APPROVED : MK. NAGATA 20221227	DRAWING NO. EDC-369481-00-00		
				CHECKED : HT. YAMAGUCHI 20221227	PART NO. FX25-80P-0.4SV		
				DESIGNED : SY. KUDO 20221227	CODE NO. CL0575-4002-0-00		
				DRAWN : YK. MITSUISHI 20221222	1/2		

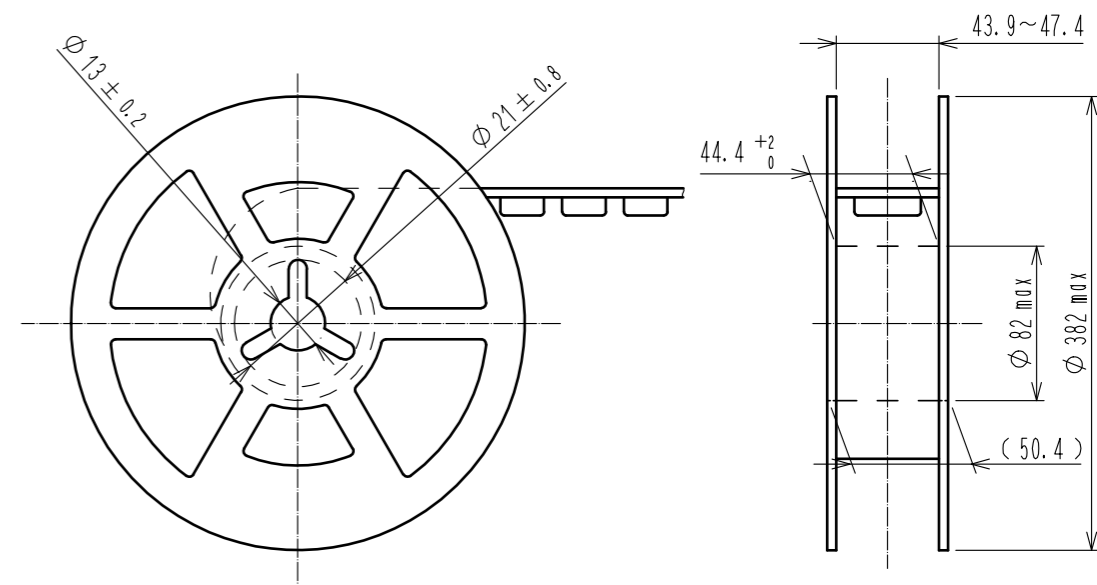
Mar.1.2026 Copyright 2026 HIROSE ELECTRIC CO., LTD. All Rights Reserved.
 In case of consideration for using Automotive equipment / device which demand high reliability, kindly contact our sales window correspondents.

3 DRAWING FOR PACKING

The direct of pulling out →



REELING DIMENSION



HRS	DRAWING NO.	EDC-369481-00-00	2/2
	PART NO.	FX25-80P-0.4SV	
	CODE NO.	CL0575-4002-0-00	