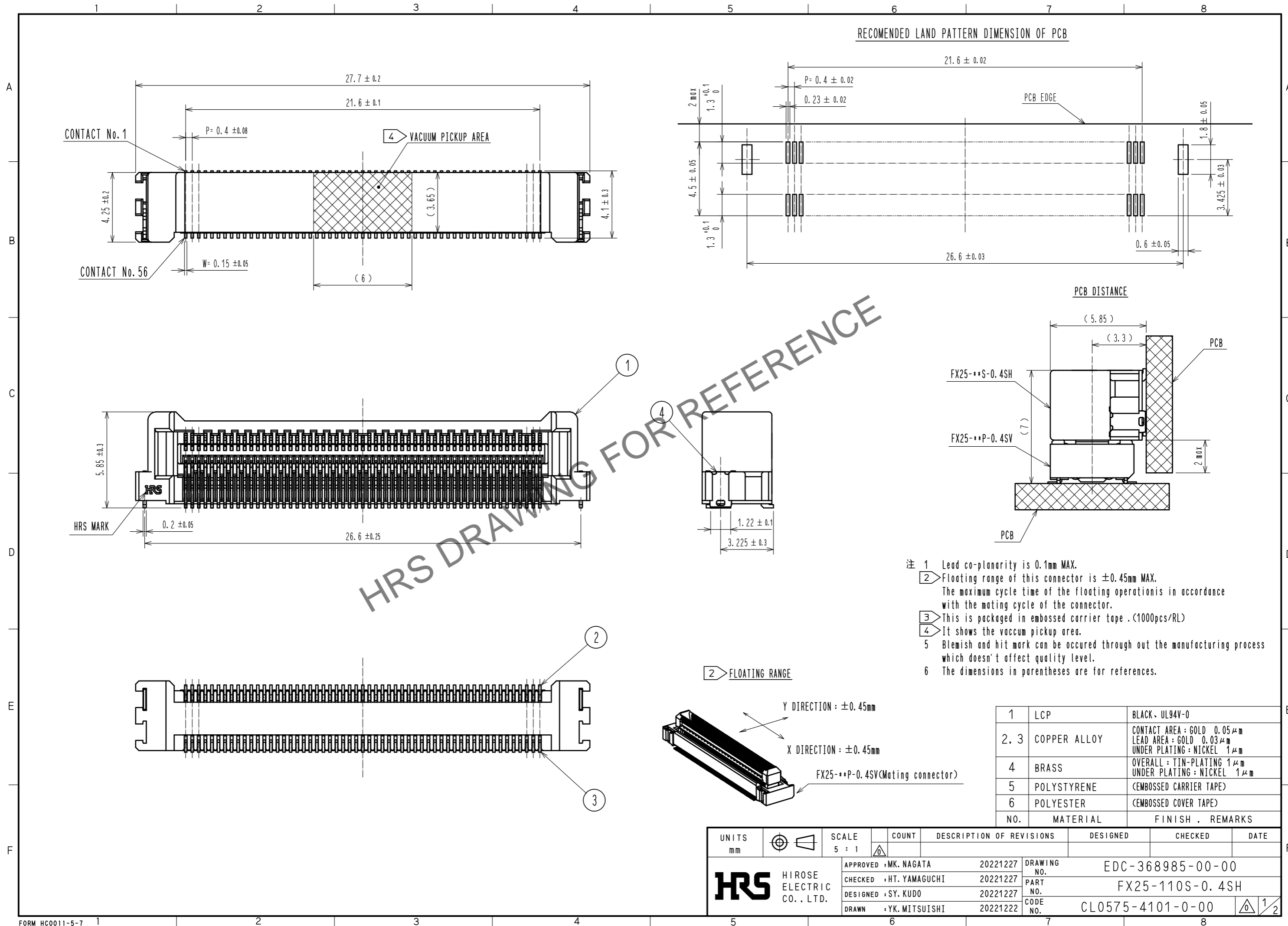
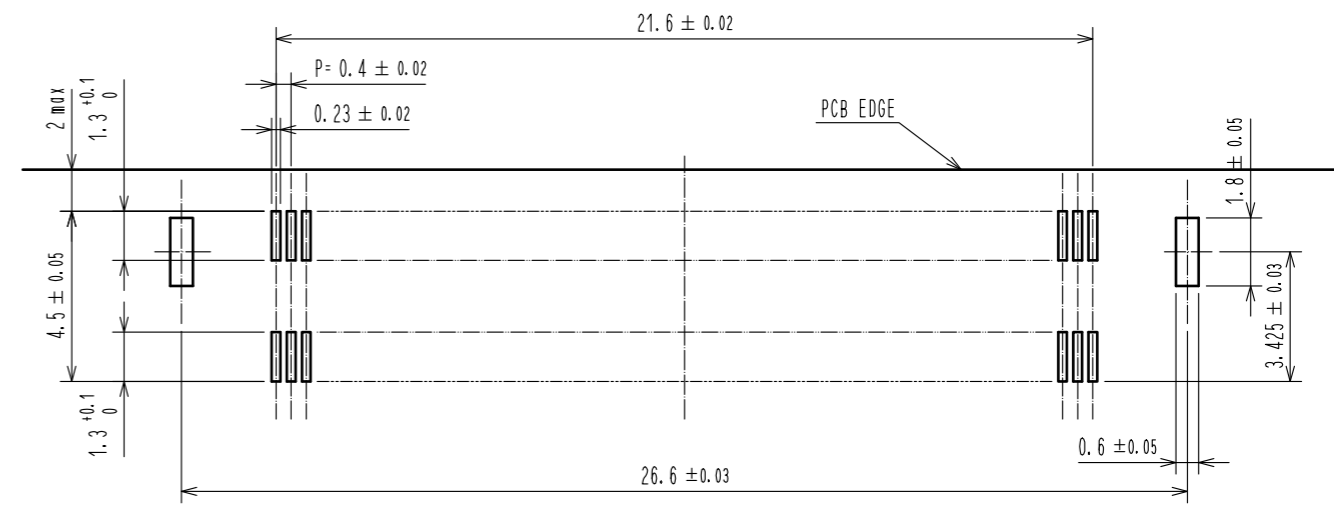


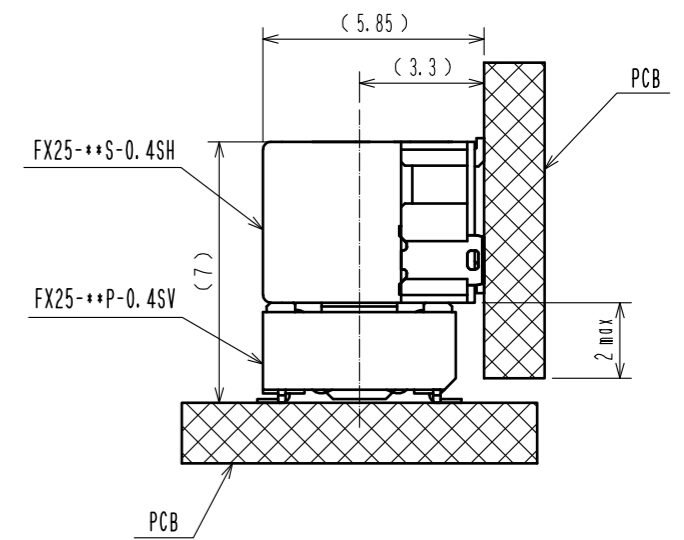
Feb.1.2026 Copyright 2026 HIROSE ELECTRIC CO., LTD. All Rights Reserved.
In case of consideration for using Automotive equipment / device which demand high reliability, kindly contact our sales window correspondents.



RECOMMENDED LAND PATTERN DIMENSION OF PCB

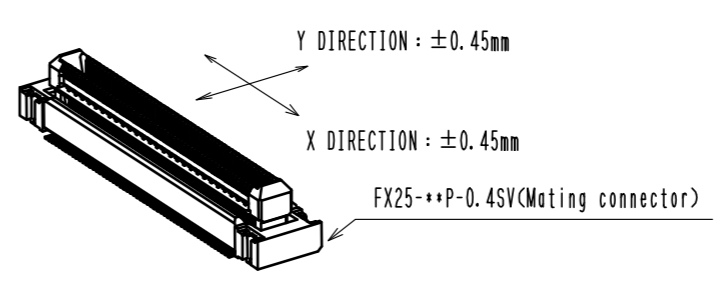


PCB DISTANCE



- 注 1 Lead co-planarity is 0.1mm MAX.
- 注 2 Floating range of this connector is ±0.45mm MAX.
The maximum cycle time of the floating operation is in accordance with the mating cycle of the connector.
- 注 3 This is packaged in embossed carrier tape. (1000pcs/RL)
- 注 4 It shows the vacuum pickup area.
- 5 Blemish and hit mark can be occurred through out the manufacturing process which doesn't affect quality level.
- 6 The dimensions in parentheses are for references.

FLOATING RANGE

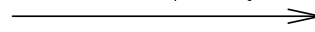


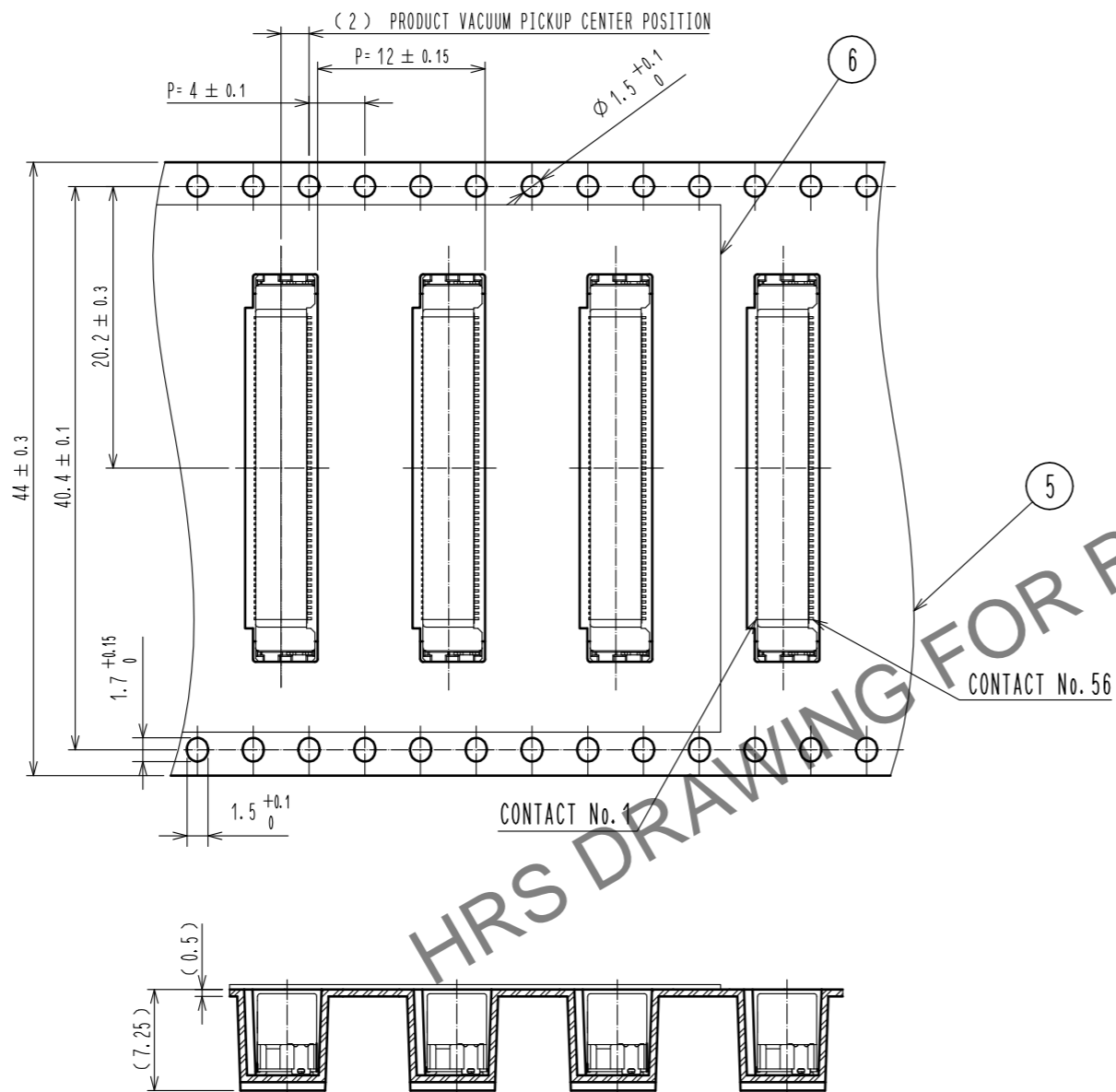
NO.	MATERIAL	FINISH . REMARKS
1	LCP	BLACK . UL94V-0
2, 3	COPPER ALLOY	CONTACT AREA : GOLD 0.05 μm LEAD AREA : GOLD 0.03 μm UNDER PLATING : NICKEL 1 μm
4	BRASS	OVERALL : TIN-PLATING 1 μm UNDER PLATING : NICKEL 1 μm
5	POLYSTYRENE	(EMBOSSED CARRIER TAPE)
6	POLYESTER	(EMBOSSED COVER TAPE)

UNITS	SCALE	COUNT	DESCRIPTION OF REVISIONS	DESIGNED	CHECKED	DATE
mm	5 : 1	△	APPROVED : MK. NAGATA 20221227			
HIROSE ELECTRIC CO., LTD.			CHECKED : HT. YAMAGUCHI 20221227	DRAWING NO. EDC-368985-00-00		
			DESIGNED : SY. KUDO 20221227	PART NO. FX25-110S-0.4SH		
			DRAWN : YK. MITSUISHI 20221222	CODE NO. CL0575-4101-0-00		
				1/2		

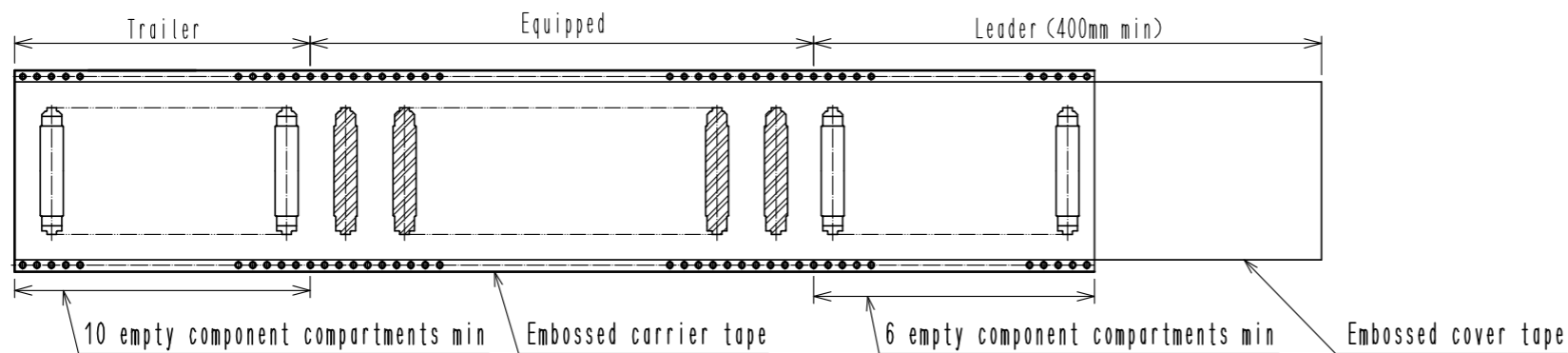
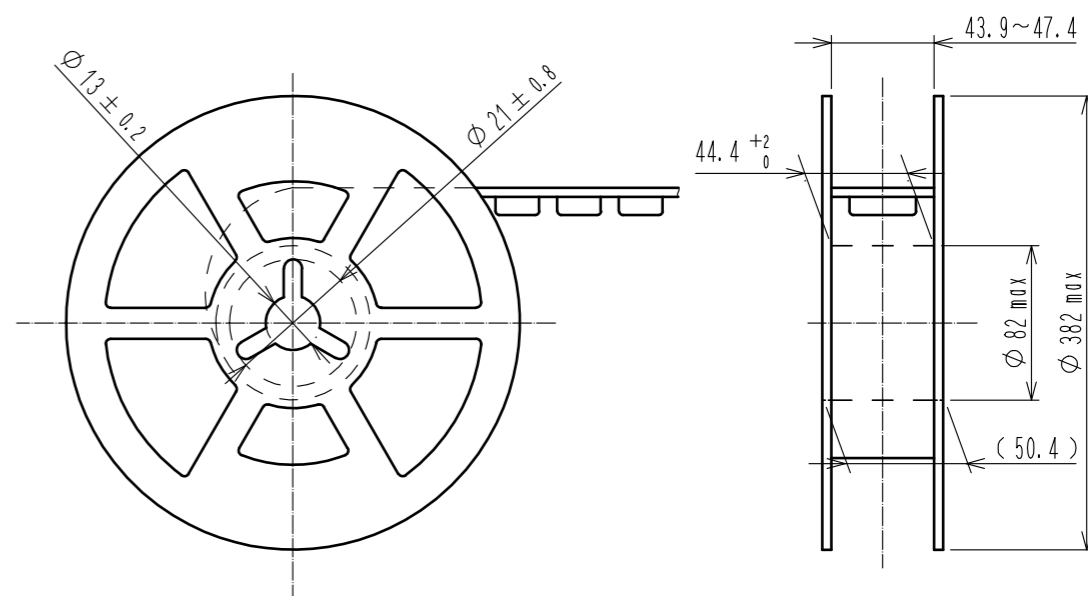
Feb.1.2026 Copyright 2026 HIROSE ELECTRIC CO., LTD. All Rights Reserved.
 In case of consideration for using Automotive equipment / device which demand high reliability, kindly contact our sales window correspondents.

③ DRAWING FOR PACKING(No scale)

Direction of pulling out




REEL DIMENSION(No scale)



HRS	DRAWING NO.	EDC-368985-00-00	2/2
	PART NO.	FX25-110S-0.4SH	
	CODE NO.	CL0575-4101-0-00	