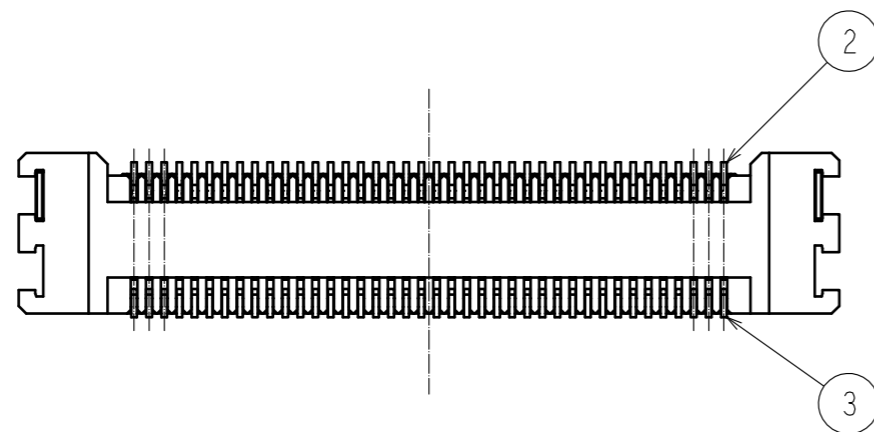
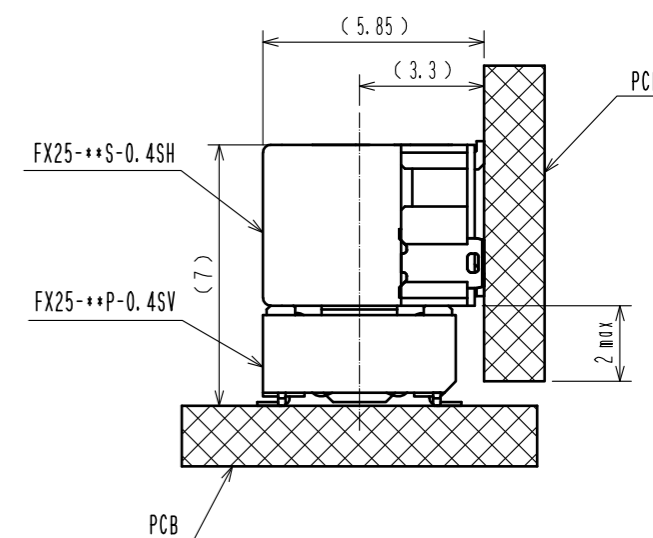
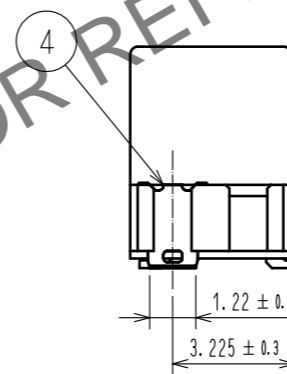
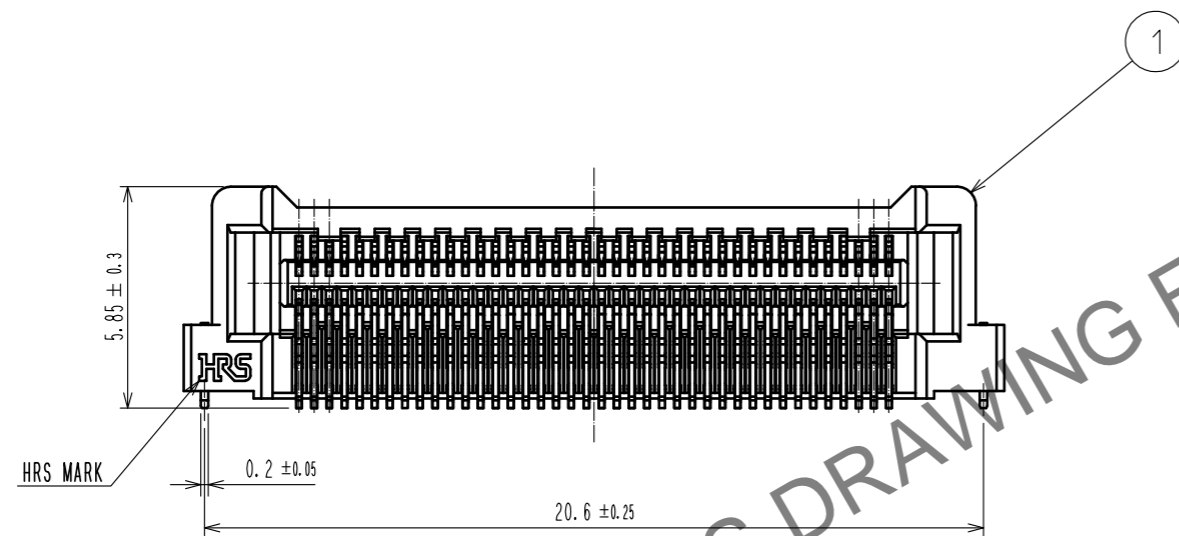
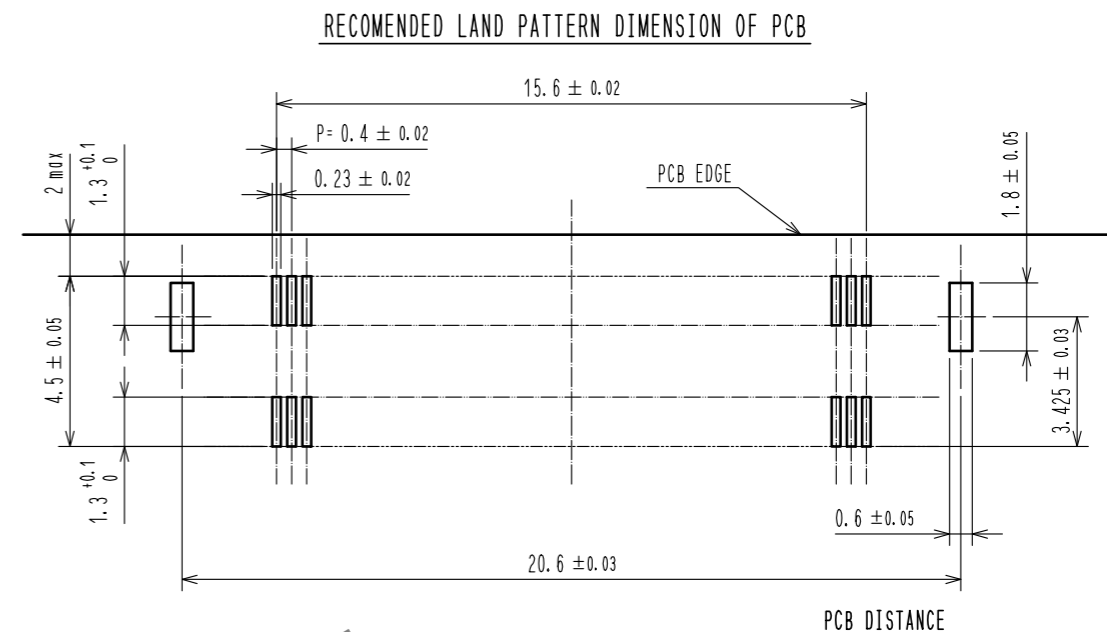
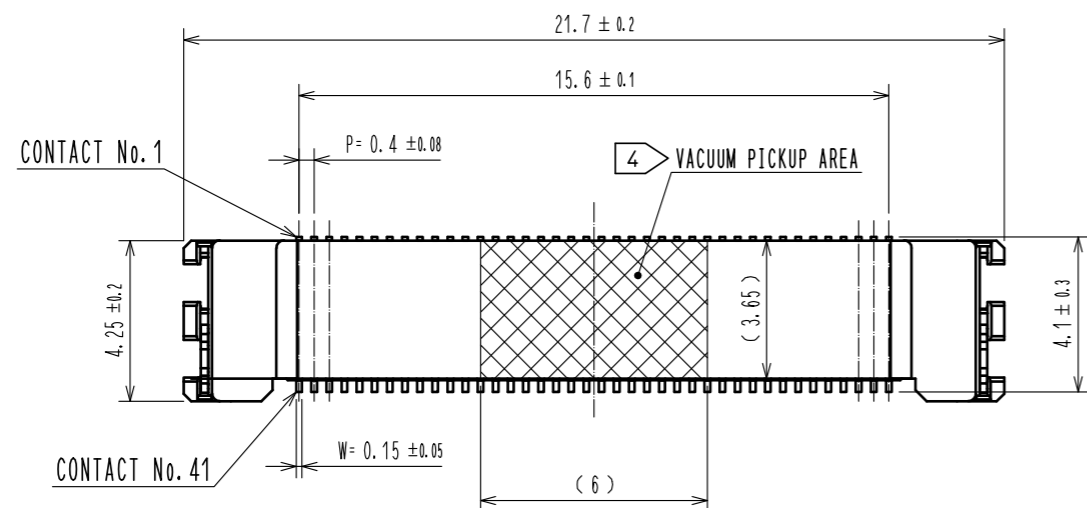
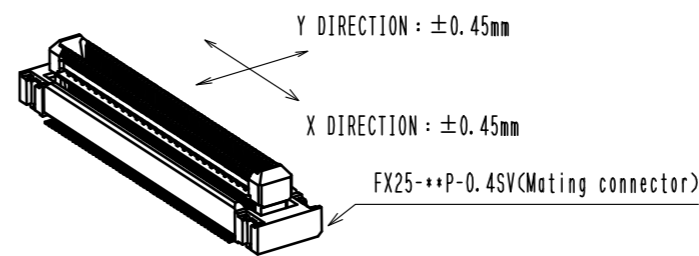


May.1.2024 Copyright 2024 HIROSE ELECTRIC CO., LTD. All Rights Reserved.
In case of consideration for using Automotive equipment / device which demand high reliability, kindly contact our sales window correspondents.



2 FLOATING RANGE



- Notes
- 1 Lead co-planarity is 0.1mm MAX.
 - 2 Floating range of this connector is ±0.45mm MAX.
The maximum cycle time of the floating operation is in accordance with the mating cycle of the connector.
 - 3 This is packaged in embossed carrier tape. (1000pcs/RL)
 - 4 It shows the vacuum pickup area.
 - 5 Blemish and hit mark can be occurred through out the manufacturing process which doesn't affect quality level.
 - 6 The dimensions in parentheses are for references.

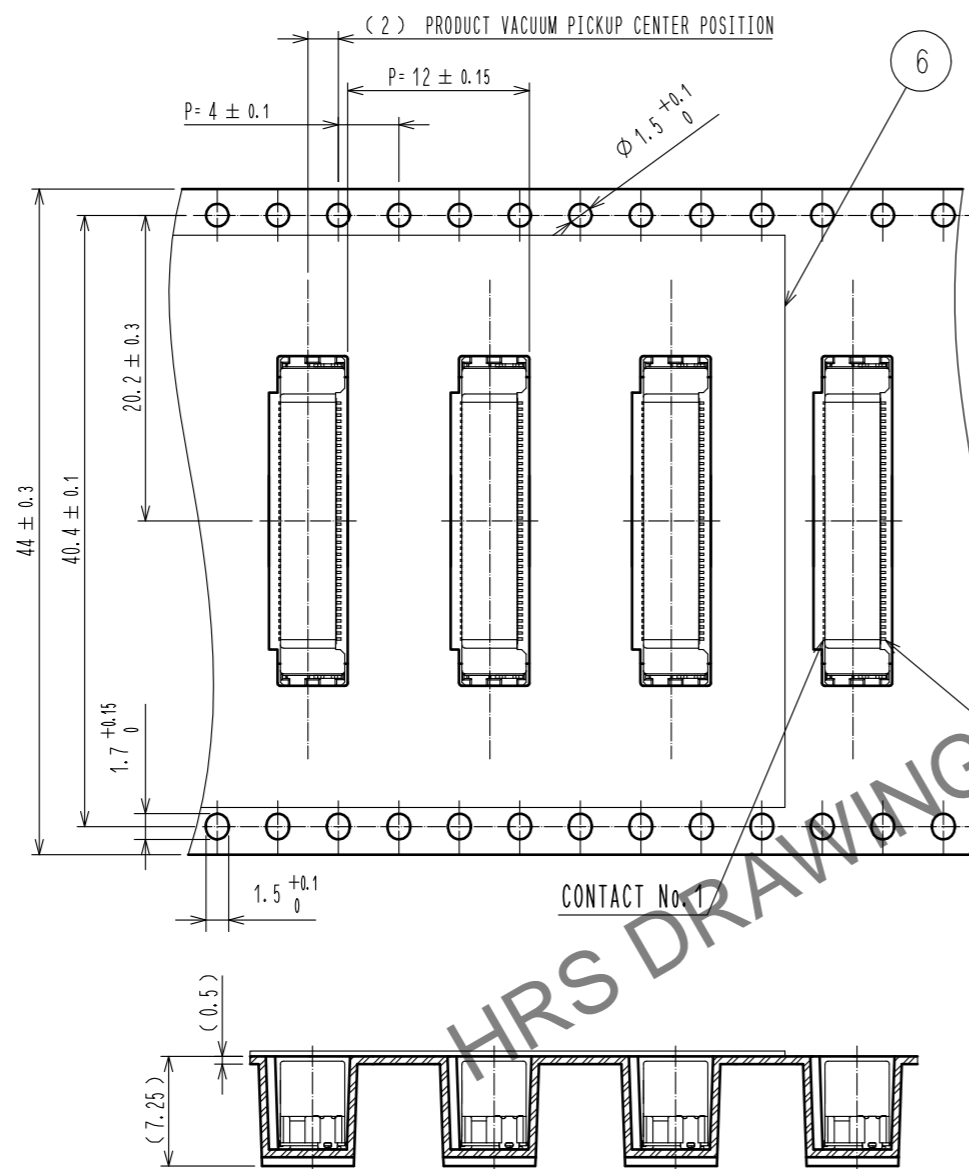
NO.	MATERIAL	FINISH	REMARKS
1	LCP	BLACK	UL94V-0
2, 3	COPPER ALLOY	CONTACT AREA : GOLD 0.05μm LEAD AREA : GOLD 0.03μm UNDER PLATING : NICKEL 1μm	
4	BRASS	OVERALL : TIN-PLATING 1μm UNDER PLATING : NICKEL 1μm	
5	POLYSTYRENE	(EMBOSSED CARRIER TAPE)	
6	POLYESTER	(EMBOSSED COVER TAPE)	

UNITS	SCALE	COUNT	DESCRIPTION OF REVISIONS	DESIGNED	CHECKED	DATE
mm	5 : 1	△				
HIROSE ELECTRIC CO., LTD.			APPROVED : MK. NAGATA 20221227 CHECKED : HT. YAMAGUCHI 20221227 DESIGNED : SY. KUDO 20221227 DRAWN : YK. MITSUISHI 20221227	DRAWING NO. EDC-369482-00-00 PART NO. FX25-80S-0.4SH CODE NO. CL0575-4102-0-00		

May.1.2024 Copyright 2024 HIROSE ELECTRIC CO., LTD. All Rights Reserved.
 In case of consideration for using Automotive equipment / device which demand high reliability, kindly contact our sales window correspondents.

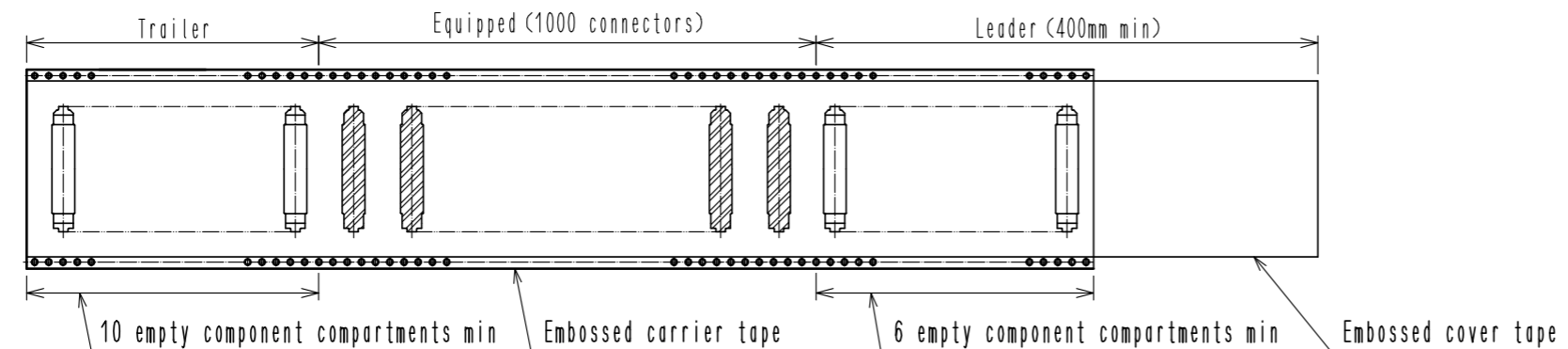
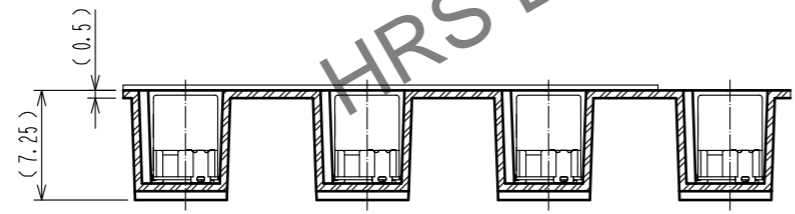
3 DRAWING FOR PACKING(No scale)

Direction of pulling out →

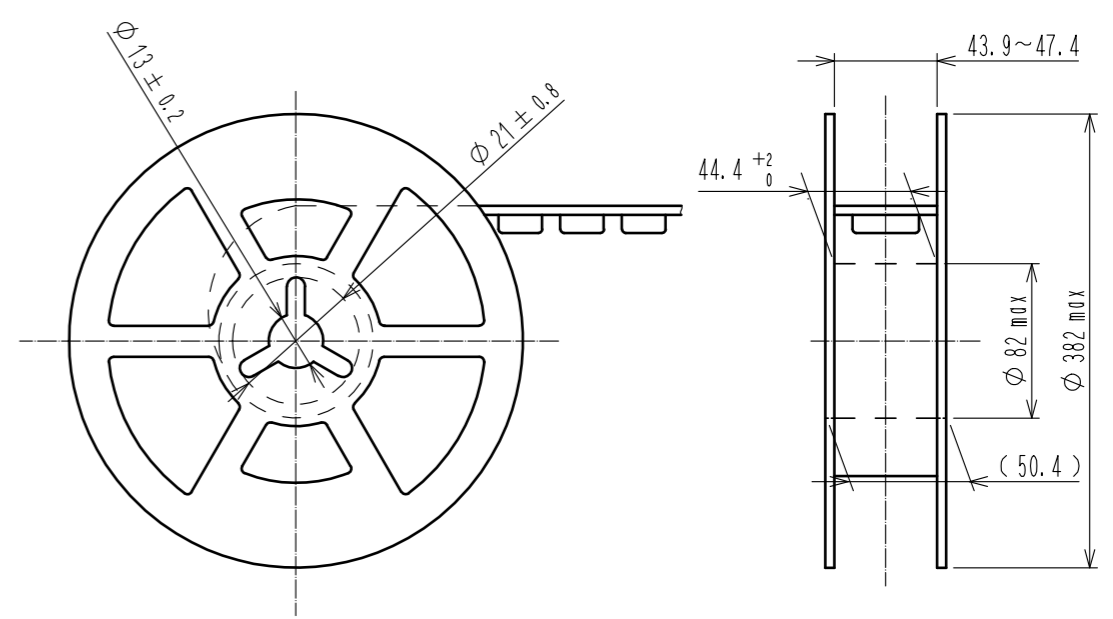


CONTACT No. 41

CONTACT No. 1



REEL DIMENSION(No scale)



HRS	DRAWING NO.	EDC-369482-00-00	2/2
	PART NO.	FX25-80S-0.4SH	
	CODE NO.	CL0575-4102-0-00	